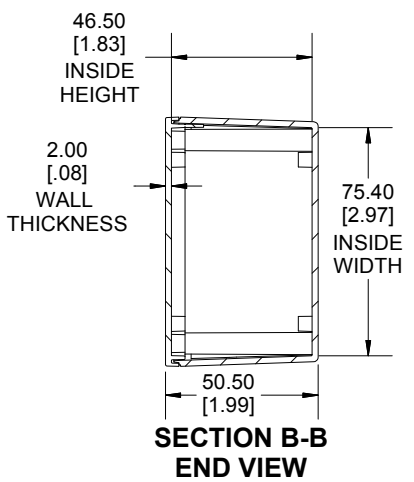
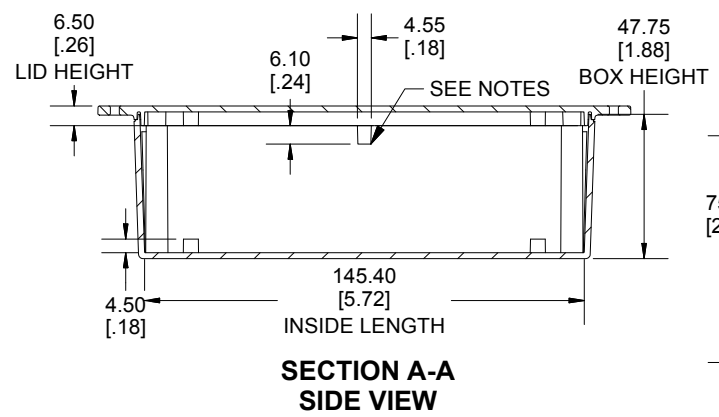


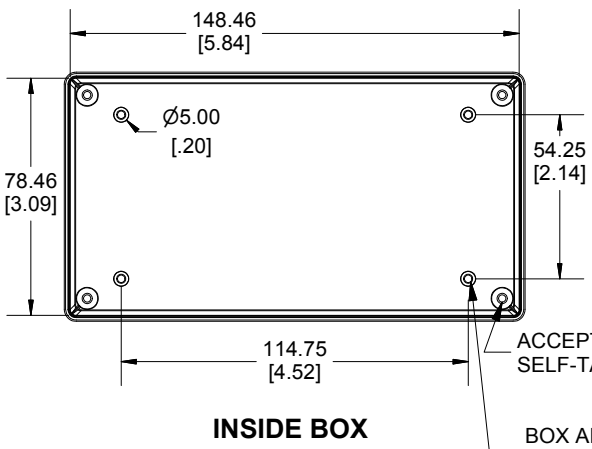
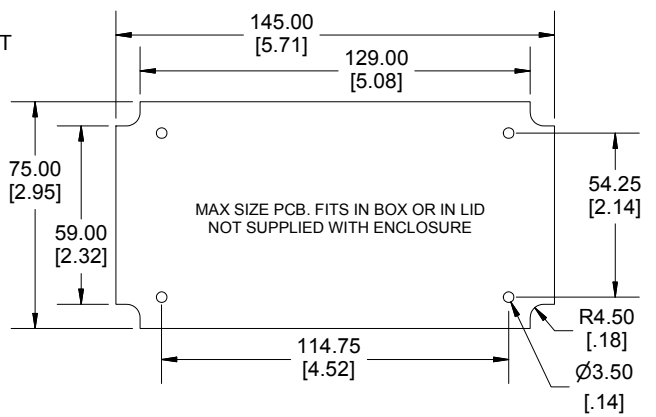
**TOP VIEW**



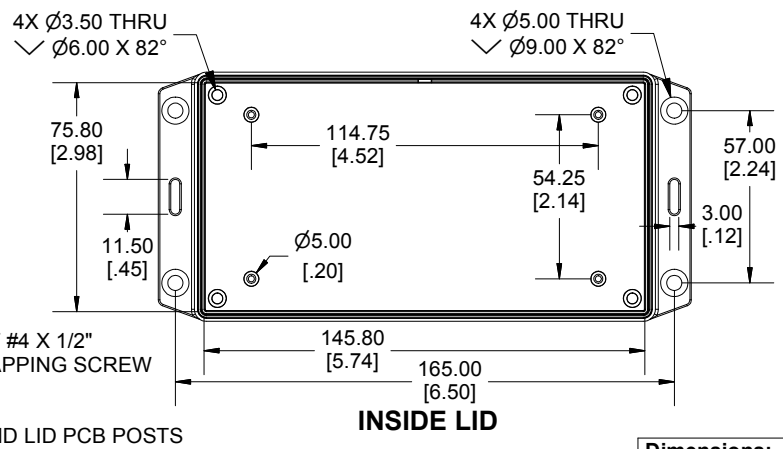
**SECTION B-B  
END VIEW**



**SECTION A-A  
SIDE VIEW**



**INSIDE BOX**



**INSIDE LID**

ACCEPT #4 X 1/2" SELF-TAPPING SCREW  
BOX AND LID PCB POSTS ACCEPT #4 X 1/4" SELF-TAPPING SCREW

Enclosures can be Factory Modified ( Milling, Drilling, Printing etc.)  
Contact Factory [mjm@hammondmfg.com](mailto:mjm@hammondmfg.com) for quotes  
Solid models of this enclosure available in STEP or IGES.  
(Part number and text placement/orientation on our products are subject to change, we do not recommend using them as a locating reference for modification purposes)

| NOTE  |                       |
|---|-----------------------|
| Tab dimensions show maximum size, tab may vary.           |                       |
| Purchased assembly includes box, lid and 4 cover screws.  |                       |
| Enclosure molded from GPABS Plastic.                      |                       |
| Other materials / colours available consult factory.      |                       |
| <b>Recommended Torque : (35-43) Ozf.in / (25-30) cN.m</b> |                       |
| PART NUMBERS  |                       |
| <b>1591XXDSFL Enclosure</b>                               |                       |
| Black Textured Enclosure                                  | 1591XXDSFLBK          |
| ACCESSORIES   |                       |
| Black Cover Screws #4 X 1/2" Self-tapping                 | 1591TS100BK (Pkg 100) |
| Plated Cover Screws #4 X 1/2" Self-tapping                | 1591TS100 (Pkg 100)   |
| Plated Cover Screws [M3-0.5 X 10mm]P.C.                   | 1593ATS50 (Pkg 50)    |
| Board Screws  | 1593ATS100 (Pkg 100)  |

**Dimensions:**  
mm  
[inches]

**HAMMOND  
MANUFACTURING®**  
**1591XXDSFL**  
[www.hammondmfg.com](http://www.hammondmfg.com)