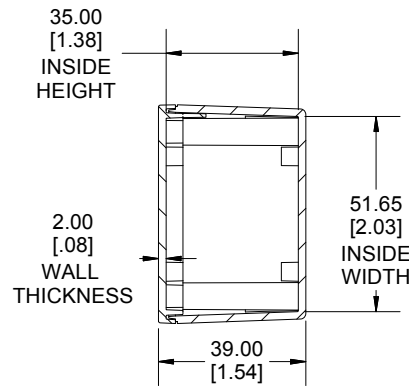
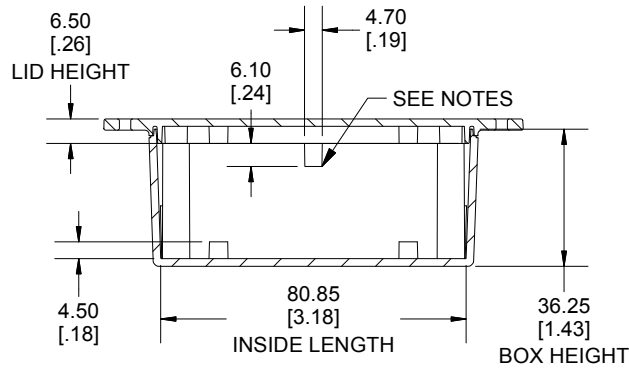


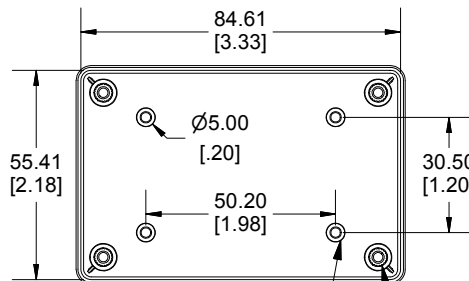
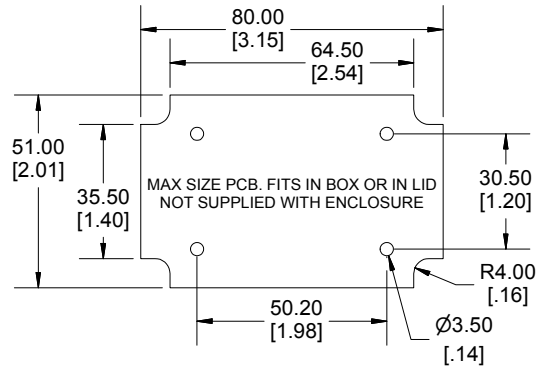
TOP VIEW



**SECTION B-B
END VIEW**

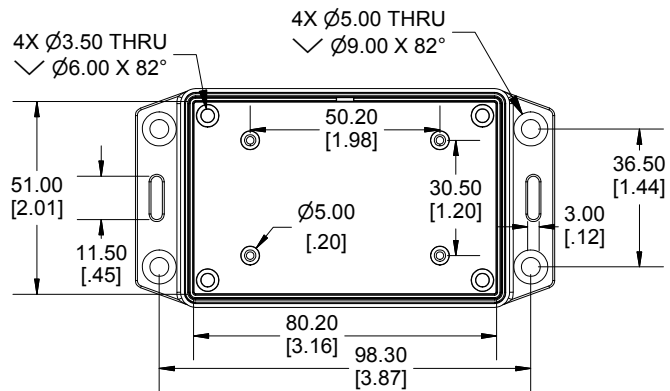


**SECTION A-A
SIDE VIEW**



INSIDE BOX

BOX AND LID PCB POSTS ACCEPT #4 X1/4" SELF-TAPPING SCREW



INSIDE LID

Enclosures can be Factory Modified (Milling, Drilling, Printing etc.)
Contact Factory mjm@hammondmfg.com for quotes
Solid models of this enclosure available in STEP or IGES.
(Part number and text placement/orientation on our products are subject to change,
we do not recommend using them as a locating reference for modification purposes)

NOTE	
Tab dimensions show maximum size, tab may vary.	
Purchased assembly includes box, lid, FL cover screws and installed brass inserts.	
Enclosure molded from FRABS UL 94-V0 Plastic.	
Other materials / colours available consult factory.	
Recommended Torque : (43-50) Ozf.in / (30-35) cN.m	

PART NUMBERS	
1591XXL Enclosure	
Black Textured Enclosure	1591XXLBK
Gray Textured Enclosure	1591XXLGY
ACCESSORIES	
Black Cover Screws [M3-0.5 X 10mm]	1591MS100BK (Pkg 100)
Plated Cover Screws [M3-0.5 X 10mm]	1591MS100 (Pkg 100)
P.C. Board Screws	1593ATS50 (Pkg 50)
#4 x 1/4" self-tapping (6.4mm)]	1593ATS100 (Pkg 100)

**HAMMOND
MANUFACTURING®**

1591XXLFL

www.hammondmfg.com

Dimensions:
mm
[inches]