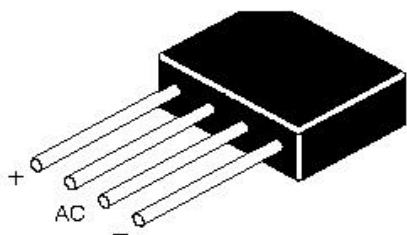


SINGLE PHASE SILICON BRIDGE RECTIFIER

KBP3005 - KBP310

**KBP
PLASTIC PACKAGE**

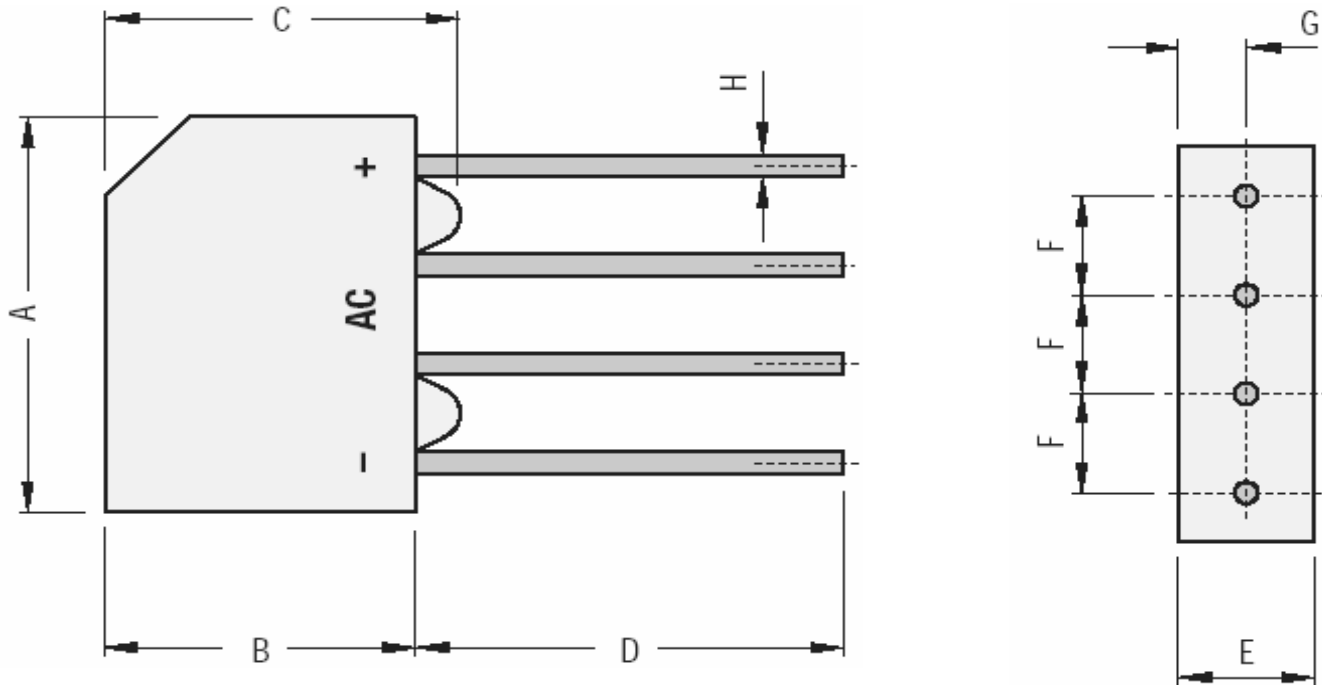


Ratings at $T_a=25^{\circ}\text{C}$ Ambient Temperature unless otherwise specified. Single phase, half wave, 60Hz, resistive or inductive load. For capacitive load, derate current by 20%

DESCRIPTION	SYMBOL	KBP	KBP	KBP	KBP	KBP	KBP	KBP	UNIT
		3005	301	302	304	306	308	310	
Maximum Recurrent Peak Reverse Voltage	V_{RRM}	50	100	200	400	600	800	1000	V
Maximum Average Forward Rectified Current at $T_a=50^{\circ}\text{C}$	$I_{F(AV)}$		3.0						A
Peak Forward Surge Current, 8.3ms single half sine wave superimposed on rated load (JEDEC method)	I_{FSM}		60						A
Maximum Forward Voltage at 3A at $T_a= 25^{\circ}\text{C}$	V_F		1.1						V
Maximum Reverse Current at $T_a=25^{\circ}\text{C}$ at Rated DC Blocking Voltage	I_R		10						μA

KBP3005_310Rev200805D

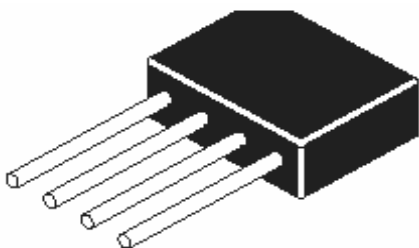
KBP Leaded Plastic Package



DIM	Min	Max
A	14.2	15.24
B	10.57	11.58
C	13.40	14.40
D	15.20	

All Dimensions are in mm

DIM	Min	Max
A	4.57	5.08
B	3.60	4.10
C		2.67
D	0.76	0.86



**KBP
PLASTIC PACKAGE****Packaging Information**

Package/ Case Type	Packaging Type	Std. Packing Qty	Inner Carton			Outer Carton		
			Qty	Size L x W x H (cm)	Gross Weight (Kg)	Qty	Size L x W x H (cm)	Gross Weight (Kg)
KBP	Bulk	400						

Bulk: Lose in Poly bags

Components Disposal Instructions

1. CDIL Semiconductor Devices are non-recyclable RoHS free material, customers are requested to please dispose as per prevailing Environmental Legislation of their Country.
2. In Europe, please dispose as per EU Directive 2002/96/EC on Waste Electrical and Electronic Equipment (WEEE).

Customer Notes**Disclaimer**

The product information and the selection guides facilitate selection of the CDIL's Semiconductor Device(s) best suited for application in your product(s) as per your requirement. It is recommended that you completely review our Data Sheet(s) so as to confirm that the Device(s) meet functionality parameters for your application. The information furnished in the Data Sheet and on the CDIL Web Site/CD are believed to be accurate and reliable. CDIL however, does not assume responsibility for inaccuracies or incomplete information. Furthermore, CDIL does not assume liability whatsoever, arising out of the application or use of any CDIL product; neither does it convey any license under its patent rights nor rights of others. These products are not designed for use in life saving/support appliances or systems. CDIL customers selling these products (either as individual Semiconductor Devices or incorporated in their end products), in any life saving/support appliances or systems or applications do so at their own risk and CDIL will not be responsible for any damages resulting from such sale(s).

CDIL strives for continuous improvement and reserves the right to change the specifications of its products without prior notice.



CDIL is a registered Trademark of
Continental Device India Limited

C-120 Naraina Industrial Area, New Delhi 110 028, India.
Telephone + 91-11-2579 6150, 4141 1112 Fax + 91-11-2579 5290, 4141 1119
email@cdil.com www.cdilsemi.com