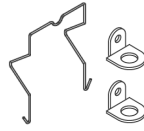


Plug-in sockets and accessories

GOP8

For R15 - 2 CO

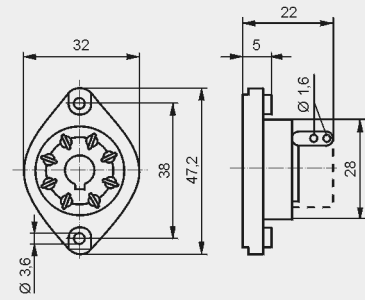
Solder terminals
47,2 x 32 x 22 mm
Two poles
10 A, 250 V AC



R159 1051

Accessories

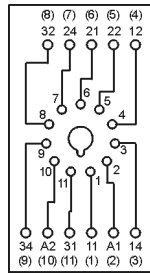
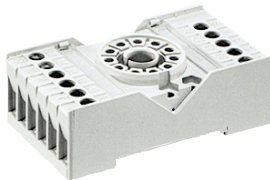
Dimensions



PZ11

For R15 - 3 CO

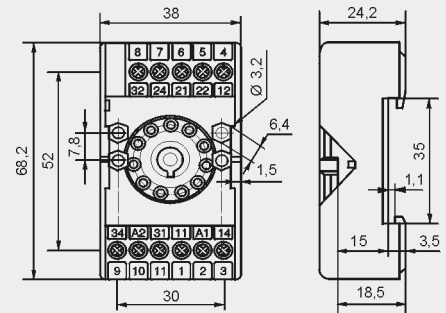
Screw terminals
Max. tightening moment
for the terminal: 0,7 Nm
35 mm rail mount
acc. to EN 60715
or on panel mounting
68,2 x 38 x 24,2 mm
Three poles
10 A, 250 V AC



PZ11 0031

Connection diagram

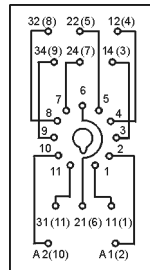
Dimensions



GZU11

For R15 - 3 CO

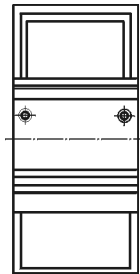
Screw terminals
Max. tightening moment
for the terminal: 0,7 Nm
35 mm rail mount
acc. to EN 60715
82 x 35,5 x 25,7 mm
Three poles
10 A, 250 V AC



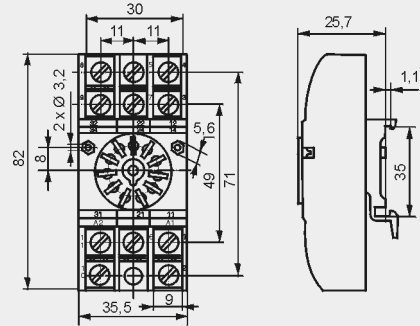
GZU 1052

Connection diagram

Adaptor



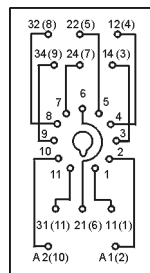
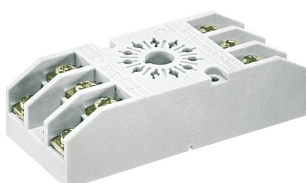
Dimensions



GZ11

For R15 - 3 CO

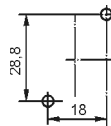
Screw terminals
Max. tightening moment
for the terminal: 0,7 Nm
On panel mounting
82,8 x 35,5 x 22,5 mm
Three poles
10 A, 250 V AC



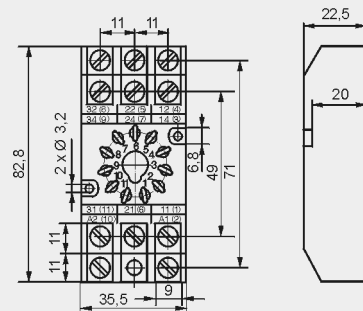
GZ 1050

Connection diagram

Mounting dimensions



Dimensions



Ⓜ Have obtained LR Type Approval Certificate (Lloyd's Register).