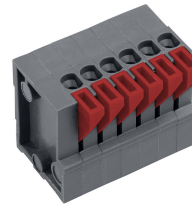


AKZ4791/..KD-2.54-V-BASALTGREY






A Phoenix Mecano Brand

- 1- to n-poles

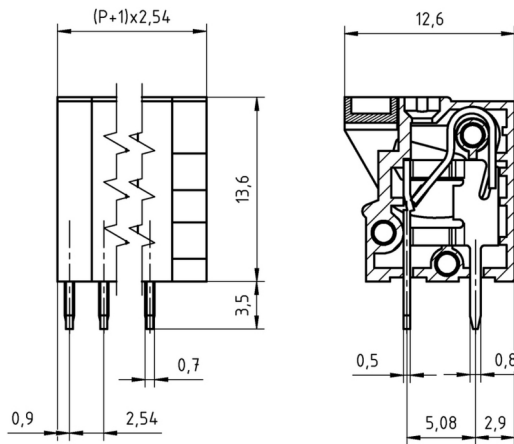
Technical Data

Wire sizes		Insulating Material	
Solid min	0.14 mm ²	Material	PBT
Solid max	0.75 mm ²	Flammability Class	UL 94 V-0
Stranded (flexible) min	0.14mm ²	Temperatures	
Stranded (flexible) max	0.75 mm ²	Operating Temperature (without mech. load)	-40 °C - 105 °C
Stranded with Ferrule min	0.14 mm ²	Store Temperature	-40 °C - 105 °C
Stranded with Ferrule max	0.14 mm ²	Wave Soldering Process	
Dimensions		Soldering Temperature, recommended	260 °C
Stripped Length	10.0 mm	Peak Soldering Time, recommended	3-4 s
PCB Hole Diameter	1.2 mm	Reflow Process	
Materials		Soldering Temperature, recommended	-
Solder Tab	Brass	Peak Soldering Time, recommended	-
Clamp Spring	Stainless Steel		

Colours

	BASALT GREY, RAL 7012
	GREEN, RAL 6018
	LIGHT GREEN, similar RAL 6018

Colours according to RAL, there may be variations on colour due to production conditions. Special colours on request.



Order Data (Spacing 2.54 mm)

Poles	Width (mm)	Article Designation	Article Number	PU
1	5.08	AKZ4791/1KD-2.54-V-BASALTGREY	54791010421 G	250
2	7.62	AKZ4791/2KD-2.54-V-BASALTGREY	54791020421 F	200
3	10.16	AKZ4791/3KD-2.54-V-BASALTGREY	54791030421 F	200
4	12.70	AKZ4791/4KD-2.54-V-BASALTGREY	54791040421 F	200
5	15.24	AKZ4791/5KD-2.54-V-BASALTGREY	54791050421 E	100
6	17.78	AKZ4791/6KD-2.54-V-BASALTGREY	54791060421 E	100
7	20.32	AKZ4791/7KD-2.54-V-BASALTGREY	54791070421 E	100
8	22.86	AKZ4791/8KD-2.54-V-BASALTGREY	54791080421 D	50
9	25.40	AKZ4791/9KD-2.54-V-BASALTGREY	54791090421 D	50
10	27.94	AKZ4791/10KD-2.54-V-BASALTGREY	54791100421 D	50
11	30.48	AKZ4791/11KD-2.54-V-BASALTGREY	54791110421 D	50
12	33.02	AKZ4791/12KD-2.54-V-BASALTGREY	54791120421 D	50

Ratings

UseGroup	cRU [®] US			VDE	
	B	C	D		
Rated Voltage	150 V	-	-	130 V	
Rated Current	6 A	-	-	9 A	
Rated Wire Size				min	max
- solid	AWG 26-18	-	-	0.2 mm ²	0.75 mm ²
- stranded	AWG 26-18	-	-	0.2 mm ²	0.75 mm ²
Test Voltage	1.30 kV	-	-	1.25 kV	