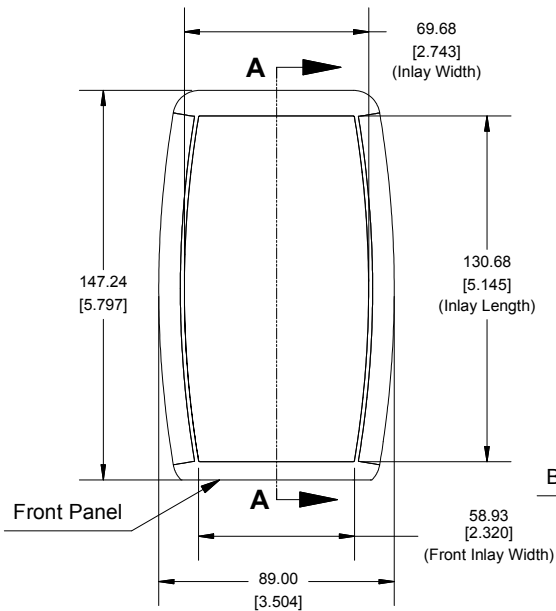
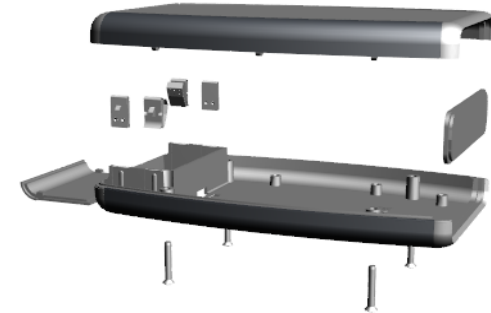
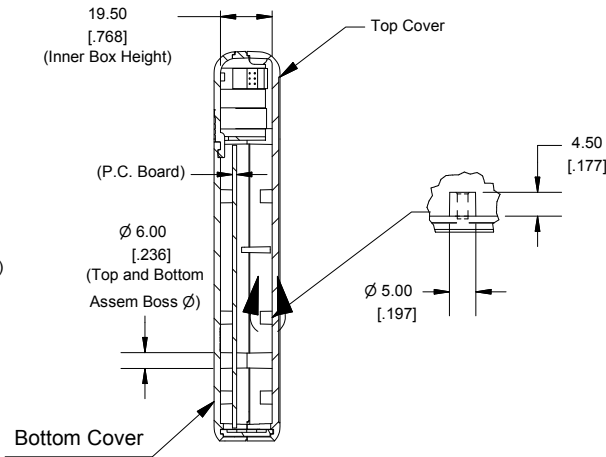


Top View of Assembly

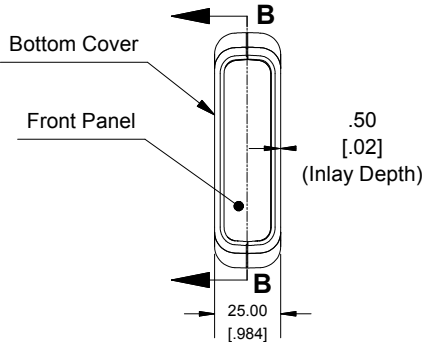


SECTION A-A (Side View Inside Assembly)

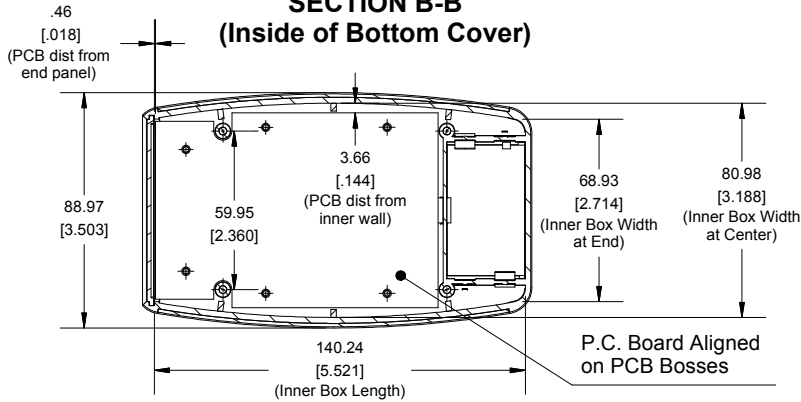


Enclosures can be Factory Modified (Milling, Drilling, Printing etc.)
 Contact Factory mjm@hammondmfg.com for quotes
 Solid models of this enclosure available in STEP or IGES.
 (Part number and text placement/orientation on our products are subject to change,
 we do not recommend using them as a locating reference for modification purposes)

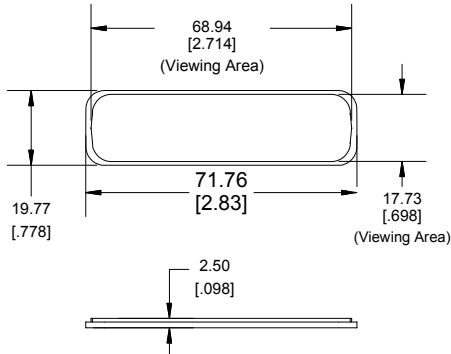
End View of Assembly



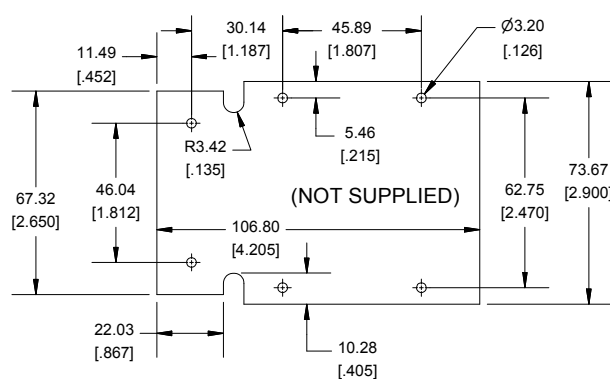
SECTION B-B (Inside of Bottom Cover)



Front Panel



Maximum P.C. Board Size



NOTE	
Enclosure molded from GP ABS Plastic.	
Purchased assembly includes Top, Bottom, front plastic panel, Battery Door, battery spring clips (4 pcs), 9V adapter (1pcs) and 4 cover screws. (P.C. Board not supplied)	
Recommended Cover screw torque -- 2.5 lbf-in (30 cN-m)	

PART NUMBER	
1553D Battery Enclosure	
Black Enclosure/Grey Over-mold	1553DBKBAT
Grey Enclosure/Grey Over-mold	1553DGYBAT
Translucent Blue Enclosure/ Black Over-mold	1553DTBUBKBAT
Red Enclosure/ Black Over-mold	1553DRDBKBAT
Yellow Enclosure/ Black Over-mold	1553DYLKBAT
Black Enclosure/ Black Over-mold	1553DBKBKBAT
ACCESSORIES	
Oval Head Cover Screws Self-Tapping (Pkg 100) [#4 X 3/4" (19mm)]	1593QS100 (Silver) 1593QS100BK (Black)
P.C. Board Self Tapping Screw [#4 X 1/4" (6.4mm) Plated]	1593ATS50 (Pkg 50) 1593ATS100 (Pkg 100)
Belt or Pocket Clip	1599CLIP (Black) 1599CLIPGY (Grey)
9V Battery Kit	BS61
AA Battery Clip Kit (4 positive and 4 Negative)	1553HDR-BKIT

Dimensions:
mm
[inches]

1553DBAT
www.hammondmfg.com