

## WP24-12 12Volt 24Ah

### Specifications

Nominal Voltage(V) **12V**

#### Nominal Capacity

20 hour rate	(1.2A to 10.50V)	<b>24Ah</b>
10 hour rate	(2.28A to 10.50V)	<b>22.8Ah</b>
5 hour rate	(4.08A to 10.20V)	<b>20.4Ah</b>
1 C	(24A to 9.60V)	<b>12.8Ah</b>
3 C	(72A to 9.60V)	<b>8.4Ah</b>

Weight **Approx. 8.0kg(17.6Lbs.)**

Internal Resistance (at 1KHz) **Approx. 11 mΩ**

#### Maximum Discharge Current for

5 seconds: **360A**

#### Charging Methods at 25 (77 )

##### Cycle use:

Charging Voltage **14.4 to 15.0V**

Coefficient -5.0mv/ /cell

Maximum Charging Current : **7.2A**

##### Standby use:

Float Charging Voltage **13.50 to 13.80V**

Coefficient -3.0mv/ /cell

#### Operating Temperature Range

Charge **-15 (5 ) to 40 (104 )**

Discharge **-15 (5 ) to 50 (122 )**

Storage **-15 (5 ) to 40 (104 )**

#### Charge Retention (shelf life) at 20 (68 )

1 month **92%**

3 month **90%**

6 month **80%**

Case Material **ABS**

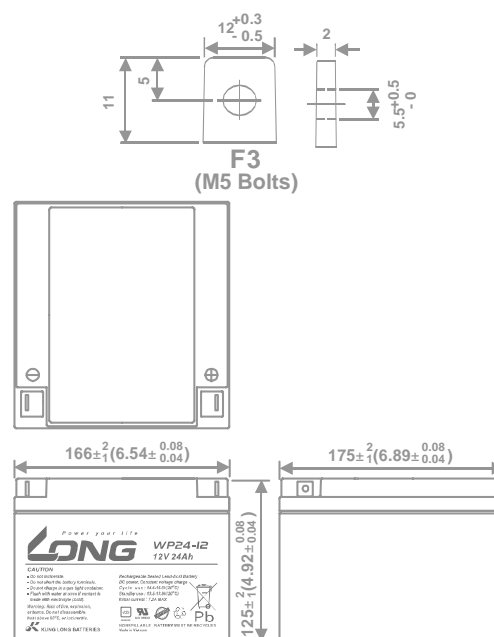
(Option: UL94 HB & UL94 V-0 flame retardant )

Terminal **F3**

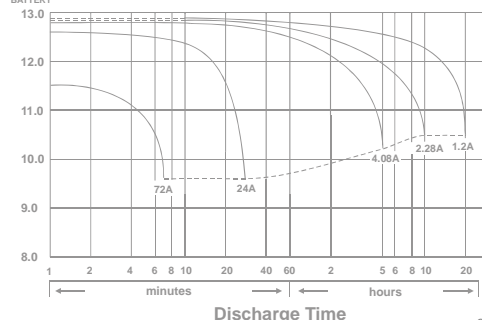


### Dimensions

mm(inch)



(V) Discharge Time VS. Discharge Current (25 )



200513-1C