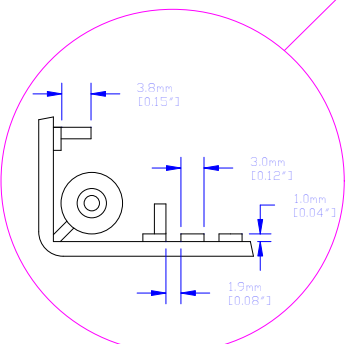
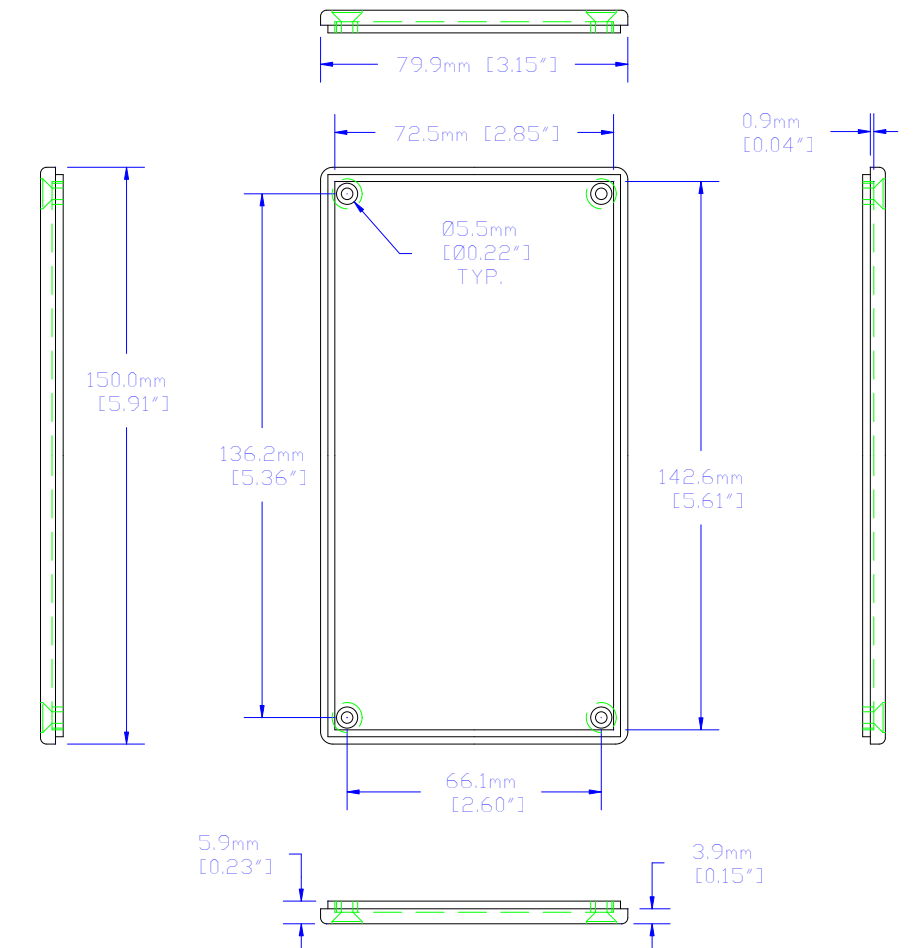
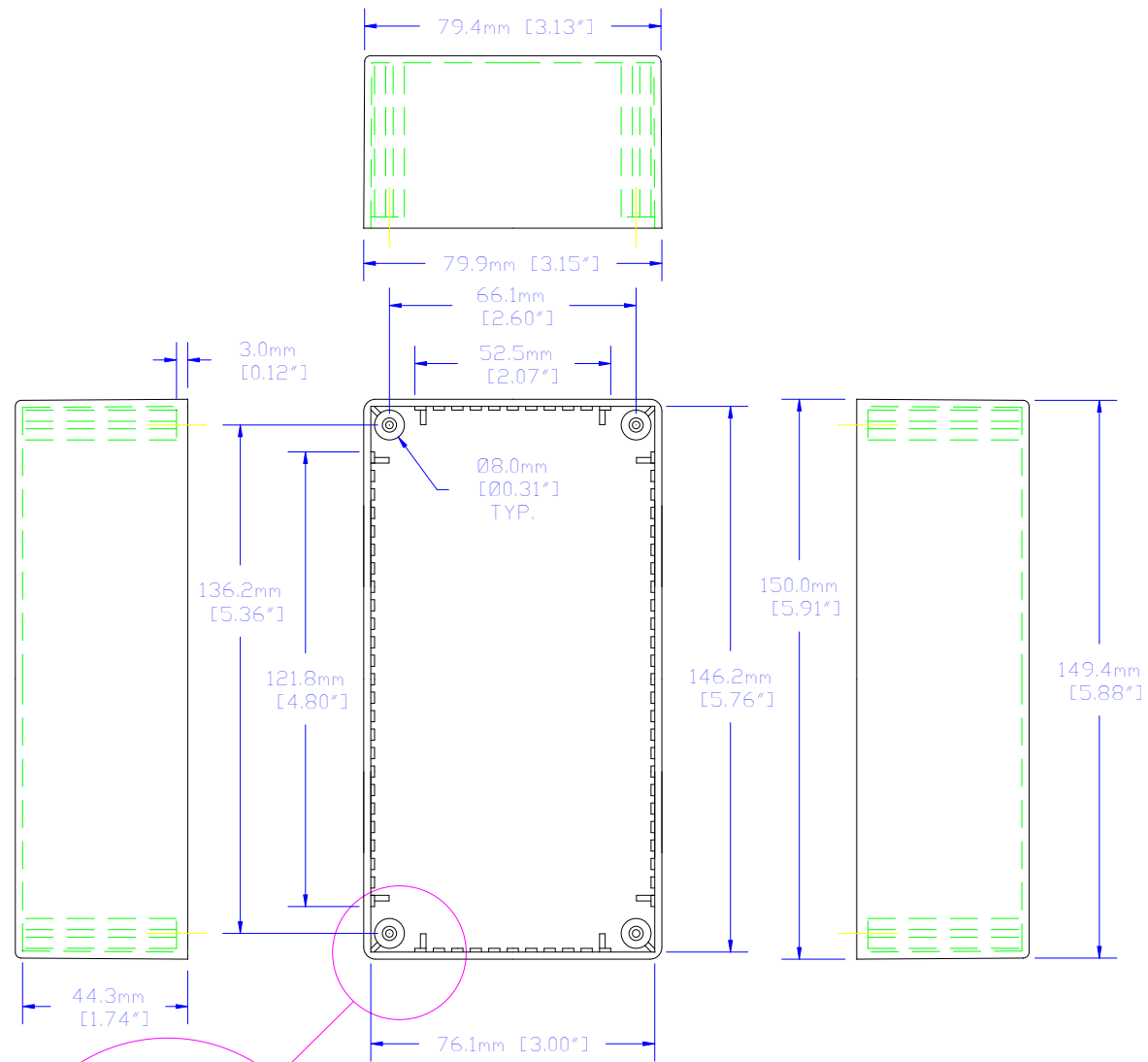


NOTES

MATERIAL: (ABS) FLAME RETARDANT UL94 V0 (FILE # E56070) MATERIAL WITH BRASS INSERTS IN CORNER POSTS. (STYRENE) IS NON-FLAME RETARDANT WITHOUT BRASS INSERTS.  
 SCREWS: (ABS) MACHINE SCREWS M3-0.5 x 10mm. REPLACEMENT PN 1591MS100 (100/BAG). (STYRENE) SELF TAPPING #4 x 0.5". REPLACEMENT PN 1599TS100BK (100/BAG).  
 COLORS: \*\* (ABS) BLACK, GRAY, BLUE, & BEIGE, (STYRENE) BLACK ONLY.  
 STANDARD OPTIONS: SHIELDED, FLANGED BOTTOM, FLANGED LID



CARD GUIDES ARE NOT DETAILED IN SIDE VIEWS

BOX

LID

For the best fit print on legal size paper.

THIS DRAWING IS PROPRIETARY INFORMATION OF HAMMOND MFG.CO.LTD. NOT TO BE USED WITHOUT EXPRESSED WRITTEN PERMISSION OF HAMMOND MFG.CO.LTD.

△	N/A	RELEASE	----	12/30/02	MJM
Rev	ECN	Description		Date	B

Unless otherwise spec'd dimensions are in millimeters Tolerances are:		Dwn	M. MERCER
.X	±0.5	Date	12/30/02
.XX	±0.25	Chk	---
.XXX	±0.130	Mat'l	SEE NOTES
Holes	±0.130	Sheet	1 of 1
Angles	±5°	Part#	1591D**
		Dwg:	1591D/A

HAMMOND MANUFACTURING CO. LTD.  
 Electronics Group, Waterloo, Ont. - Cheektowaga, NY

HAMMOND 1591 SERIES  
 PLASTIC ENCLOSURE