



# Elektrotechnik Karl-Heinz Mauz GmbH

**GM37-5000-86-21D** (Artikel-Nr. 860530)

**EKULIT**

## *SPECIFICATIONS:*

Item	Unit	Specification
Rated voltage	VDC	6.0
Gear Ratio		1/86
Rotation		CW&CCW
Motor Position		All position in horizontal
Temperature	°C	0~30
Humidity	%	30~95
<b>• Performance of Motor</b>		
No-load Speed	rpm	5.000±10%
No-load Current	mA	60 (max.)
Stall Current	mA	1100 (max.)
Stall Torque	g.cm	65
<b>• Performance of Gear motor</b>		
Output Speed	rpm	60±10%
No-load Current	mA	75 (max.)
Stall Current	mA	1100 (max.)
Stall Torque	kg.cm	4.0
Rated Torque	g.cm	1000
Rated Current	mA	250 (max.)
Noise	dB	52
<b>• The Dimension</b>		
The Outside Shaft Length	mm	21
Shaft End Play	mm	0.05-0.50
Screw Size		M3 (allowed the depth 3mm)
Dia of Shaft	mm	Ø6-D12mm

Adresse: **Felix-Wankel-Str. 35 • 73760 Ostfildern/Nellingen**

Tel: **+49-711/3414023**

Fax: **+49-711/3414024**

E-mail: **info@ekulit.de** Web site: **www.EKULIT.de**

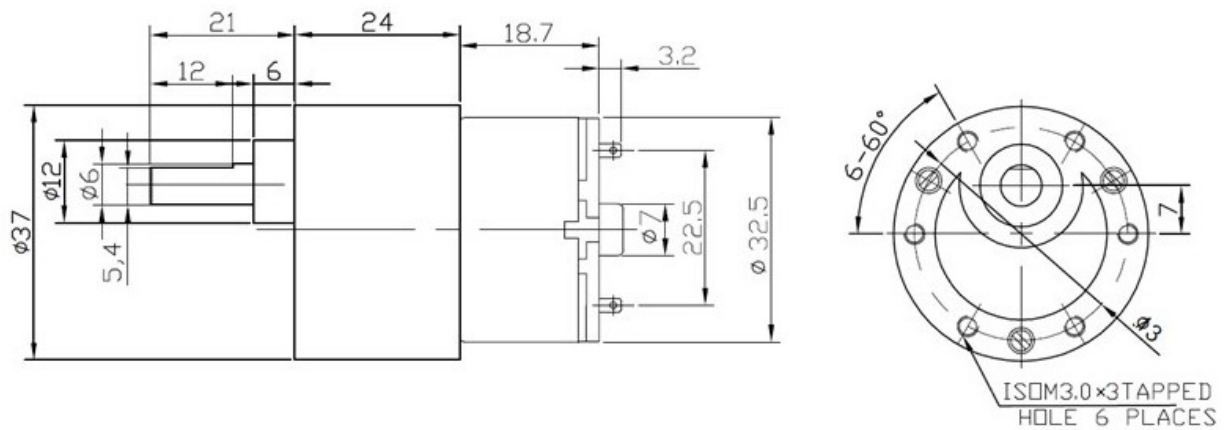
# Elektrotechnik Karl-Heinz Mauz GmbH

**GM37-5000-86-21D** (Artikel-Nr. 860516)

**EKULIT**

DIMENSIONS :

(Unit: mm)



Adresse: Felix-Wankel-Str. 35 • 73760 Ostfildern/Nellingen

Tel: +49-711/3414023

Fax: +49-711/3414024

E-mail: [info@ekulit.de](mailto:info@ekulit.de) Web site: [www.EKULIT.de](http://www.EKULIT.de)