



Elektrotechnik Karl-Heinz Mauz GmbH

GM15BY-VSM1527-298-20M3 (Artikel-Nr. 860515)

EKULIT

SPECIFICATIONS:

Item	Unit	Specification
Rated voltage	VDC	12.0
Gear Ratio		1/298
Rotation		CW&CCW
Motor Position		All position in horizontal
Temperature	°C	0~30
Humidity	%	30~95
• Performance of Motor		
Coil resistance	Ω	30±10%
No. of Phases		2
Step Angle	°	18/Step
Max. Starting Frequency	PPS min.	900
Max. Slewing Frequency	PPS min.	1200
Pull IN Torque	gf-cm min	6
Lead OUT Torque	gf-cm min	10
• Performance of Gear motor		
Step Angle	°	18/298 / Step
Max. Starting Frequency	PPS min.	900
Max. Slewing Frequency	PPS min.	1200
Pull IN Torque	Kgf-cm min	1.7
Lead OUT Torque	Kgf-cm min	3.0
• The Dimension		
The Outside Shaft Length	mm	10
Shaft End Play	mm	0.05-0.30
Screw Size		M1.6*0.35
Dia of Shaft	mm	M3*20

Adresse: **Felix-Wankel-Str. 35 • 73760 Ostfildern/Nellingen**

Tel: **+49-711/3414023**

Fax: **+49-711/3414024**

E-mail: **info@ekulit.de** Web site: **www.EKULIT.de**

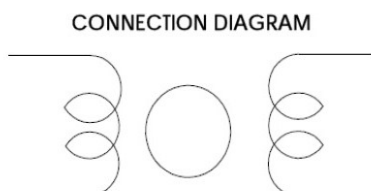
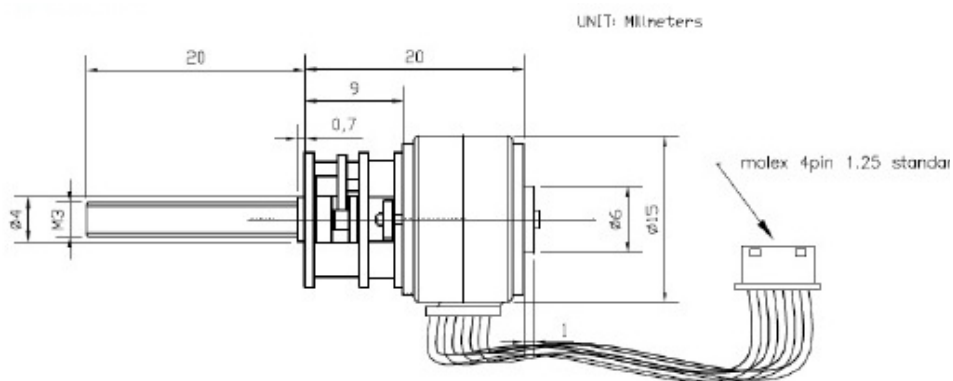


Elektrotechnik Karl-Heinz Mauz GmbH

GM15BY-VSM1527-298-20M3 (Artikel-Nr. 860515)

EKULIT

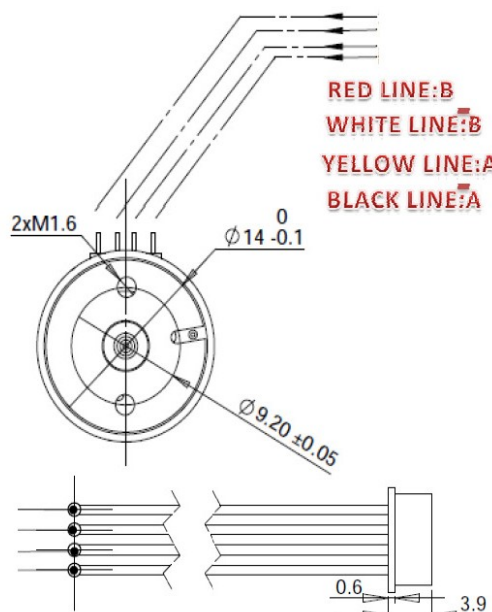
DIMENSIONS :
(Unit: mm)



SEQUENCE OF EXCITATION

STEP	1	2	3	4
A	+	+	-	-
\bar{A}	-	-	+	+
B	-	+	+	-
\bar{B}	+	-	-	+

OUTPUT SHAFT ROTATION CCW



Adresse: Felix-Wankel-Str. 35 • 73760 Ostfildern/Nellingen

Tel: +49-711/3414023

Fax: +49-711/3414024

E-mail: info@ekulit.de Web site: www.EKULIT.de