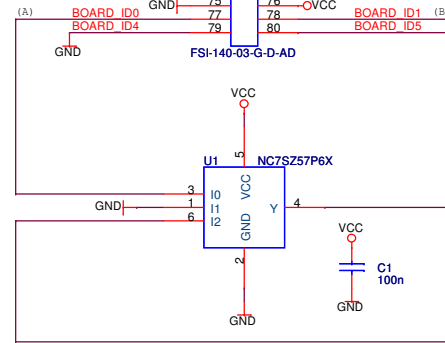
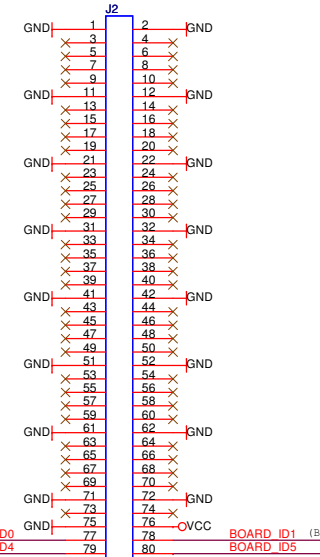
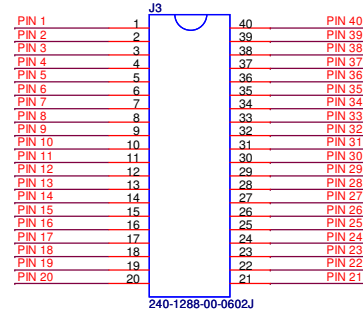
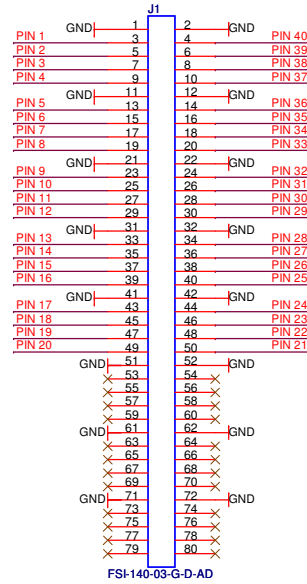


DIP-ZIF Socket card

Socket card #1



BOARD_ID4 = 0
BOARD_ID5 = / (A+B)

