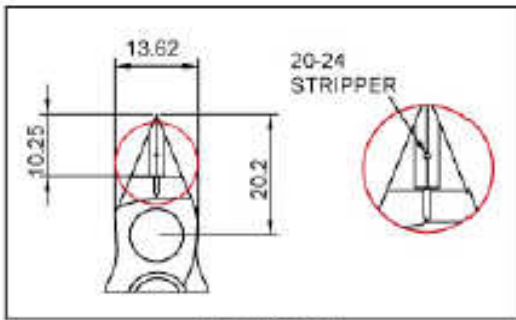
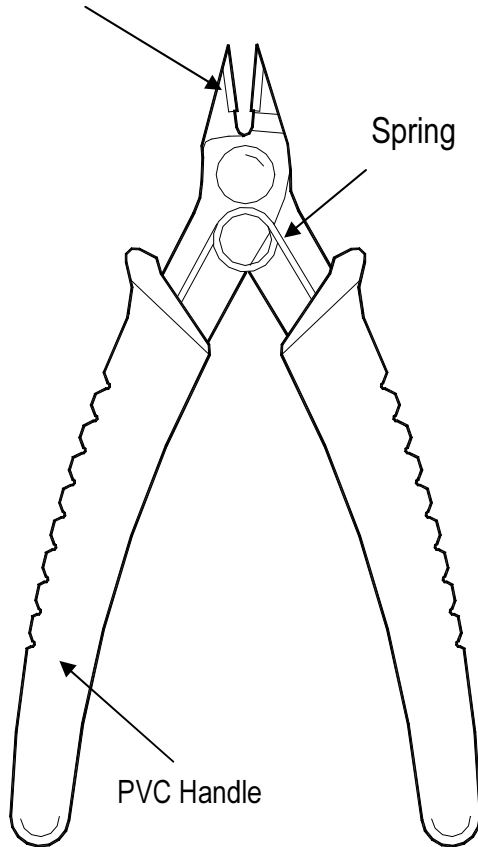


HT-1091 5" Electrical Cutter



Cutter with stripping hole



Specification :

- * **Item No** : HT-109
- * **Function** :
 flush cutting & w/stripping for
 wire from 20-24AWG (ϕ 0.5- 0.8 mm)
- * **Length** : 5" (127mm)
- * **Weight** : 60g
- * **Material** : Middle Carbon Steel With Harden.
- * **Finished** : Black Oxide Finished.