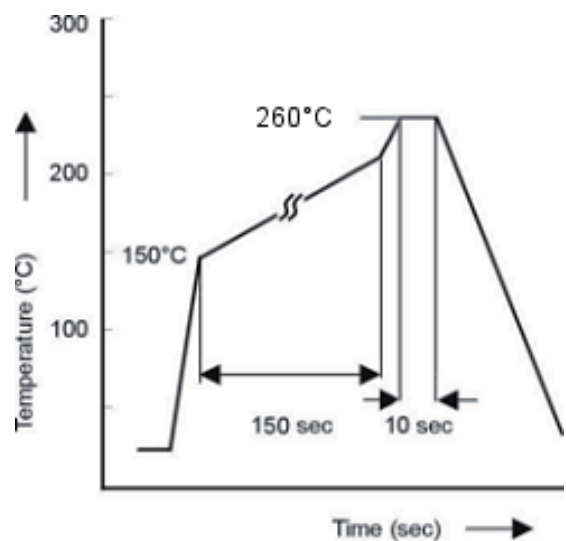
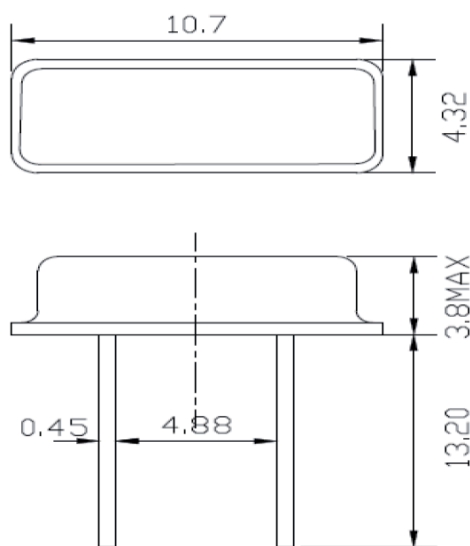


IC 23



Quartz Crystal Unit HC 49 US Thru-Hole

Dimensions l/w/h in mm (max)	10,7 x 4,3 x 3,5	
Frequency	3,20 MHz to 70,0 MHz	
Operating Temperature	Refer to Ordering Guidance	
Frequency Tolerance at 25°C	Refer to Ordering Guidance	
Frequency Stability in Operating Temp. Range	Refer to Ordering Guidance	
Storage Temperature	-55°C to +125°C	
Load Capacitance (CL)	16pF/ 18pF/ 20pF/ 30pF/ 32pF or series	
Shunt Capacitance (C0)	7,0 pF max.	
Series Resonance (R1)	3,2 MHz ~ 4,99 MHz	150 Ohm
	5,0 MHz ~ 6,99 MHz	100 Ohm
	7,0 MHz ~ 8,99 MHz	80 Ohm
	9,0 MHz ~ 12,99 MHz	60 Ohm
	13,0 MHz ~ 19,99 MHz	40 Ohm
	20,0 MHz ~ 33,0 MHz	30 Ohm
	27,0 MHz ~ 70,0 MHz	100 Ohm (3 rd OT)
Drive Level μ W	100 typ., 500 max	
Aging (df/F) first year at 25°C	\pm 3 ppm	



Ordering Guidance

IC - Quartz																																									
QS-Digits:	1	2	3	4	5	6	7	8	9	10	11	12	13	14	15	16	17	18	19	20																					
QS- Eingabe/Enter:	I	C	1	3	0	3	2	,	7	6	8	M	1	2	,	5	A	B	1	B																					
Bezeichnung/Indic.:	Gruppe		Grösse		Frequ./FRQ/Fliesskomma							Hz	Load/CL/uF			Fto	Fst	OM	TR																						
IC-Applications: Portable instruments Industrial products Battery powered prod.	IC Quartz		Size code + pkg. code 1-13 = 3K/RL, ab 14 = 1K/RL									H/K/M/G				F.tol. at 25° in ppm	F.stab. in Operating Temp. Range	Oscillation Mode	oper. Temp. in °C																						
	A	10	A	10																																					
	B	15	B	15																																					
	C	20	C	20																																					
	D	25	D	25																																					
	E	30	E	30																																					
	F	50	F	50																																					
	G	100	G	100																																					
			H	-0,034																																					
			I	-0,042																																					
												<table border="1"> <tr><td>1</td><td>Fund</td></tr> <tr><td>3</td><td>3rd OT</td></tr> <tr><td>5</td><td>5th OT</td></tr> </table>		1	Fund	3	3rd OT	5	5th OT							<table border="1"> <tr><td>A</td><td>0°C to +70°C</td></tr> <tr><td>B</td><td>-20°C to +70°C</td></tr> <tr><td>C</td><td>-10°C to +60°C</td></tr> <tr><td>D</td><td>-10°C to +70°C</td></tr> <tr><td>E</td><td>-40°C to +85°C</td></tr> <tr><td>F</td><td>-45°C to +125°C</td></tr> <tr><td>G</td><td>best</td></tr> </table>		A	0°C to +70°C	B	-20°C to +70°C	C	-10°C to +60°C	D	-10°C to +70°C	E	-40°C to +85°C	F	-45°C to +125°C	G	best
1	Fund																																								
3	3rd OT																																								
5	5th OT																																								
A	0°C to +70°C																																								
B	-20°C to +70°C																																								
C	-10°C to +60°C																																								
D	-10°C to +70°C																																								
E	-40°C to +85°C																																								
F	-45°C to +125°C																																								
G	best																																								

