

7/8" (22 mm) Conductive Plastic Potentiometer, Bushing Mount Type



FEATURES

- 7/8" Diameter single turn
- Compact size, advanced design technology
- Offer a cost effective solution to your potentiometer requirements
- Suitable model for all industrial applications



RoHS
COMPLIANT

ELECTRICAL SPECIFICATIONS		
PARAMETER		
Resistance	Standard range, 1 kΩ to 50 kΩ	
Tolerance	STANDARD ± 20 %	SPECIAL TO ± 10 %
Linearity (Independent)	STANDARD ± 2.0 %	SPECIAL ± 1.0 %
Output Smoothness	0.1 % maximum	
TCR	± 600 ppm/°C maximum	
Power Rating	1.0 W at 70 °C Derated to 0 W at 125 °C	
Electrical Travel	340° ± 3°	
End Voltage	0.5 % maximum	
Dielectric Withstanding Voltage	1000 V _{RMS} , 60 Hz	
Insulation Resistance	1000 MΩ, 500 V _{DC}	

MECHANICAL SPECIFICATIONS		
PARAMETER		
Rotation	360° continuous (optional mechanical stops 340° ± 3°)	
Mounting	3/8 - 32 UNEF - 2A	
Operating Torque Maximum	Starting and running 3.68 mNm (0.5 oz - in)	
Shaft Tolerance Maximum		
Runout	0.13 mm (0.005 in)	
End Play	0.25 mm (0.010 in)	
Radial Play	0.13 mm (0.005 in)	
Weight	17.5 g (0.62 oz)	

ORDERING INFORMATION/DESCRIPTION								
357	B	0	10K	20%	A	BO50	0 P 22	e4
MODEL	STYLE	FEATURES	OHMIC VALUE	TOLERANCE ON OHMIC VALUE	LINEARITY	PACKAGING	SHAFT TYPE	LEAD
	Bushing	0 Non turn pin & continuous rotation 1 No non turn pin & continuous rotation 2 Non turn pin, with stops on rotation 3 No non turn pin with stops on rotation				Box of 50 pieces	Shaft diameter 0 = 6.0 mm or 1 = 6.35 (1/4") Shaft type P = plain S = slotted FMF (from Mounting face) Range from 12 mm to 75 mm in 1 mm increments	Finish

SAP PART NUMBERING GUIDELINES							
357B	2	203	M	X	B25	1S22	
MODEL	FEATURES	OHMIC VALUE	TOLERANCE ON OHMIC VALUE	LINEARITY	PACKAGING	SHAFT TYPE	
		203 = 20K	M: ± 20 %	X: ± 2 %	Box of 50 Pieces		

Model 357

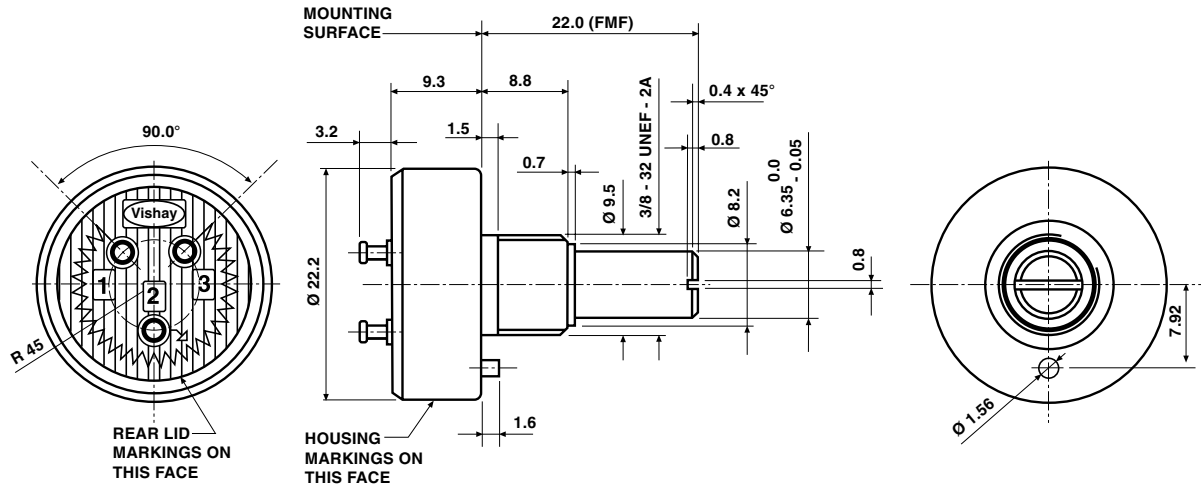
Vishay Spectrol

7/8" (22 mm) Conductive Plastic Potentiometer, Bushing Mount Type

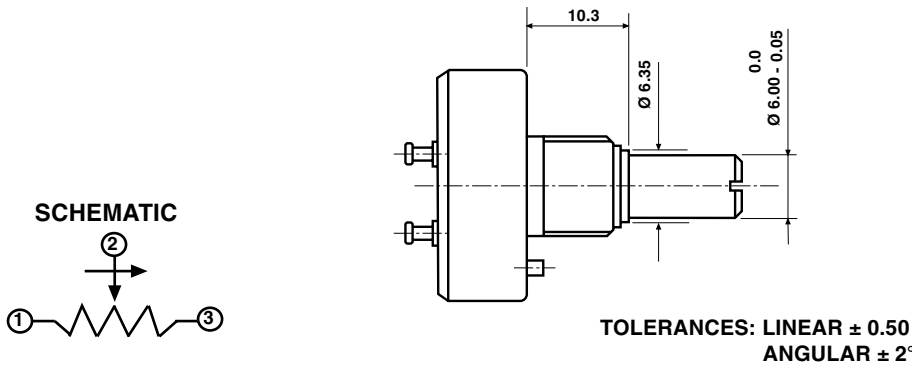


DIMENSIONS in millimeters

Ø 6.35 mm SHAFT VERSION



Ø 6.0 mm SHAFT VARIATION: METRIC



ENVIRONMENTAL SPECIFICATIONS	
Vibration	15 g, 10 to 2000 Hz
Shock	50 g
Load Life	1000 hours
Storage Temperature Range	- 55 °C to + 125 °C
Life	5 000 000 Shaft Revolutions
Materials:	
Housing:	Thermoplastic Housing
Bushing:	Brass, nickel plated
Rear Lid:	Alumina
Shaft:	Stainless steel
Terminals:	Turret type, solder plated
Bushing Mount Hardware	
Lockwasher Internal Tooth:	Steel, nickel plated
Panel Nut:	Brass nickel plated

MARKING	
Unit Identification	Manufacturer's name and model number, resistance value and tolerance, linearity specification date code and terminal identification

RESISTANCE VALUE	
Ohms	1K, 2K, 5K, 10K, 20K, 50K



Notice

Specifications of the products displayed herein are subject to change without notice. Vishay Intertechnology, Inc., or anyone on its behalf, assumes no responsibility or liability for any errors or inaccuracies.

Information contained herein is intended to provide a product description only. No license, express or implied, by estoppel or otherwise, to any intellectual property rights is granted by this document. Except as provided in Vishay's terms and conditions of sale for such products, Vishay assumes no liability whatsoever, and disclaims any express or implied warranty, relating to sale and/or use of Vishay products including liability or warranties relating to fitness for a particular purpose, merchantability, or infringement of any patent, copyright, or other intellectual property right.

The products shown herein are not designed for use in medical, life-saving, or life-sustaining applications. Customers using or selling these products for use in such applications do so at their own risk and agree to fully indemnify Vishay for any damages resulting from such improper use or sale.