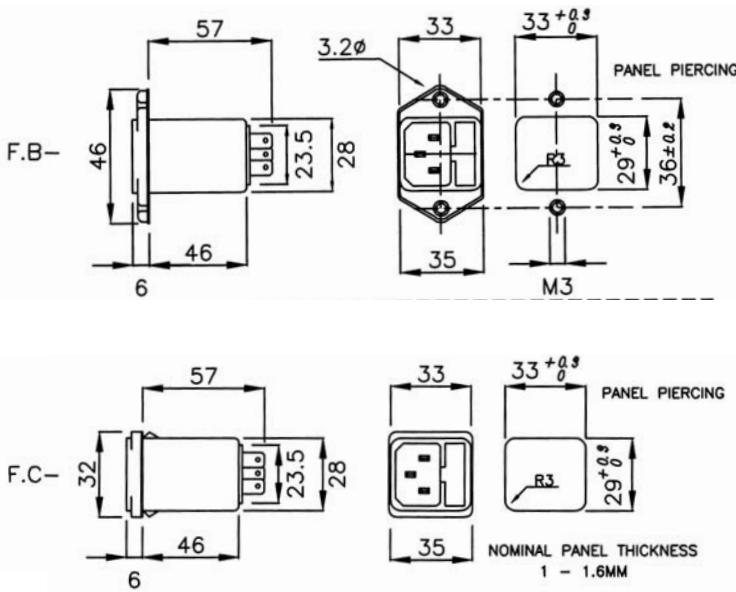


Dimensions (mm) and connections



Insertion loss (typical): — Asymmetrical (line to ground) - - - Symmetrical (line to line)

