



MBRS2035CT THRU MBRS2060CT

20.0 AMPS. Schottky Barrier Rectifiers



Voltage Range
35 to 60 Volts
Current
20.0 Amperes

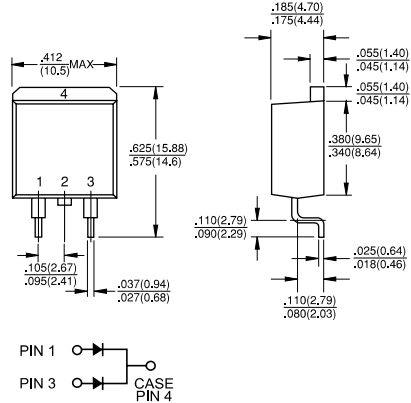
D²PAK

Features

- ✧ For surface mounted application
- ✧ Plastic material used carries Underwriters Laboratory Classifications 94V-0
- ✧ Metal silicon junction, majority carrier conduction
- ✧ Low power loss, high efficiency
- ✧ High current capability, low forward voltage drop
- ✧ High surge capability
- ✧ For use in low voltage, high frequency inverters, free wheeling, and polarity protection applications
- ✧ Guardring for overvoltage protection
- ✧ High temperature soldering guaranteed: 250°C/10 seconds at terminals

Mechanical Data

- ✧ Cases: JEDEC D²PAK molded plastic
- ✧ Terminals: Leads solderable per MIL-STD-750, Method 2026
- ✧ Polarity: As marked
- ✧ Mounting position: Any
- ✧ Mounting torque: 5 in. - lbs. max
- ✧ Weight: 0.06 ounce, 1.70 grams



Dimensions in inches and (millimeters)

Maximum Ratings and Electrical Characteristics

Rating at 25°C ambient temperature unless otherwise specified.

Single phase, half wave, 60 Hz, resistive or inductive load.

For capacitive load, derate current by 20%

Type Number	MBRS2035CT	MBRS2045CT	MBRS2050CT	MBRS2060CT	Units
Maximum Recurrent Peak Reverse Voltage	35	45	50	60	V
Maximum RMS Voltage	24	31	35	42	V
Maximum DC Blocking Voltage	35	45	50	60	V
Maximum Average Forward Rectified Current at T _C =135°C	20				A
Peak Repetitive Forward Current (Rated V _R , Square Wave, 20KHz) at T _C =135°C	20.0				A
Peak Forward Surge Current, 8.3 ms Single Half Sine-wave Superimposed on Rated Load (JEDEC method)	150				A
Peak Repetitive Reverse Surge Current (Note 1)	1.0		0.5		A
Maximum Instantaneous Forward Voltage at (Note 2) I _F =10A, T _C =25°C I _F =10A, T _C =125°C I _F =20A, T _C =25°C I _F =20A, T _C =125°C			0.80 0.70 0.95 0.85		V
Maximum Instantaneous Reverse Current @ T _C =25°C at Rated DC Blocking Voltage @ T _C =125°C	0.1 15.0		0.15 150.0		mA mA
Voltage Rate of Change, (Rated V _R)	10,000				V/μS
Typical Thermal Resistance Per Leg (Note 3) RθJC	1.5				°C/W
Operating Junction Temperature Range T _J	-65 to +150				°C
Storage Temperature Range T _{STG}	-65 to +175				°C

- Notes: 1. 2.0us Pulse Width, f=1.0 KHz
2. Pulse Test: 300us Pulse Width, 1% Duty Cycle
3. Thermal Resistance from Junction to Case Per Leg

RATINGS AND CHARACTERISTIC CURVES (MBRS2035CT THRU MBRS2060CT)

FIG.1- FORWARD CURRENT DERATING CURVE

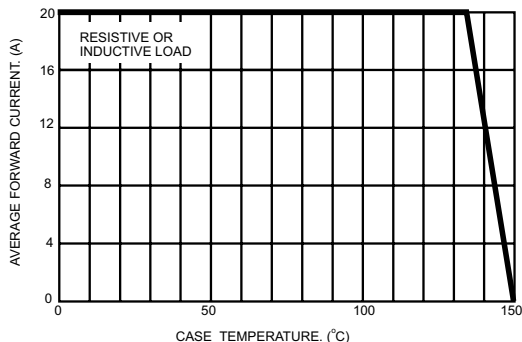


FIG.2- MAXIMUM NON-REPETITIVE FORWARD SURGE CURRENT PER LEG

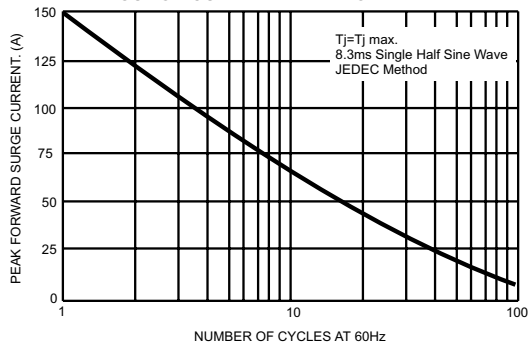


FIG.3- TYPICAL INSTANTANEOUS FORWARD CHARACTERISTICS PER LEG

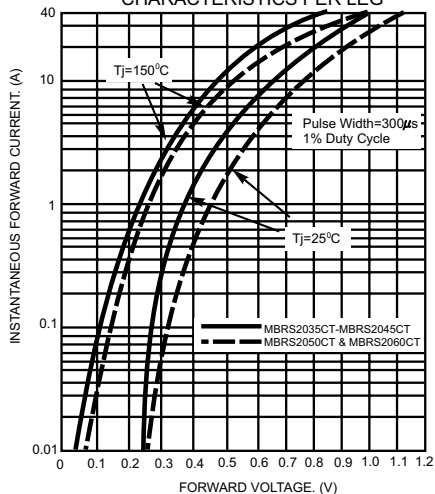


FIG.4- TYPICAL REVERSE CHARACTERISTICS PER LEG

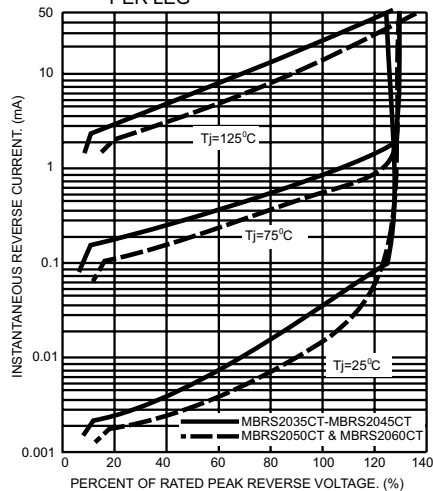


FIG.5- TYPICAL JUNCTION CAPACITANCE PER LEG

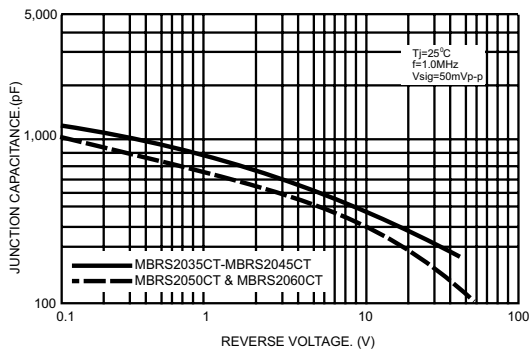


FIG.6- TYPICAL TRANSIENT THERMAL IMPEDANCE PER LEG

