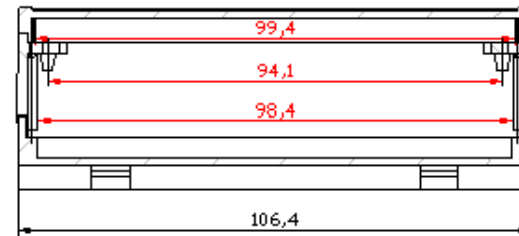
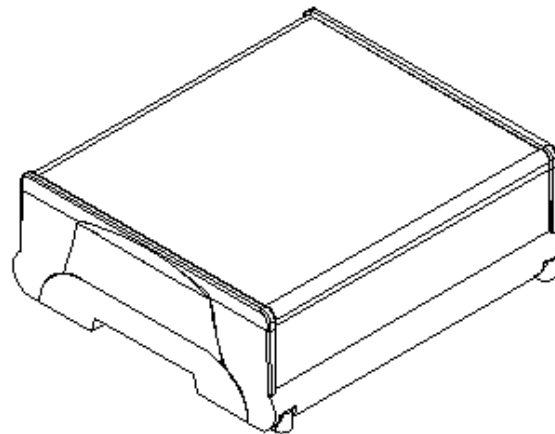
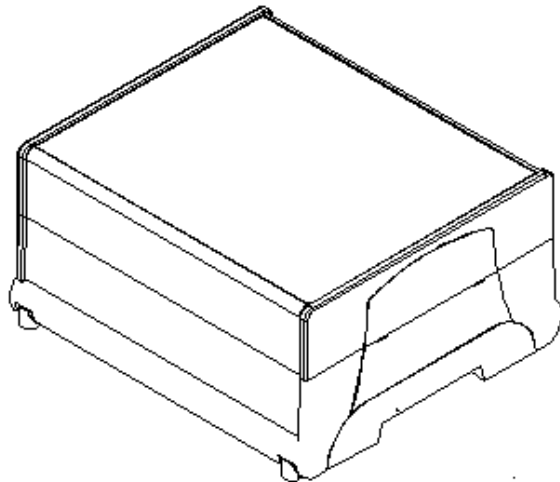
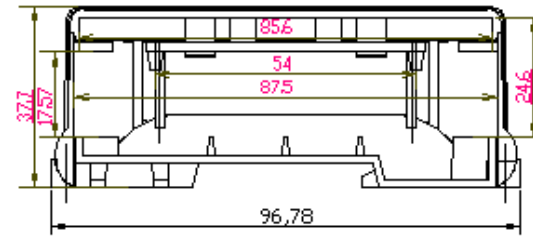
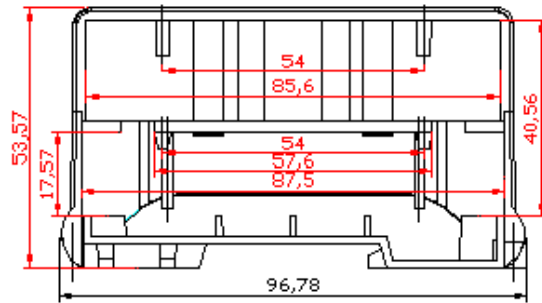


MR6/MX



MR6/BMX



| | | |
|--------------|--------------|----------------------|
| gross pile | gross volume | |
| ELBAG | | gross/m ³ |
| | | clean |