



Elektrotechnik Karl-Heinz Mauz GmbH

LSF-27M/SC (Artikel-Nr. 107090)

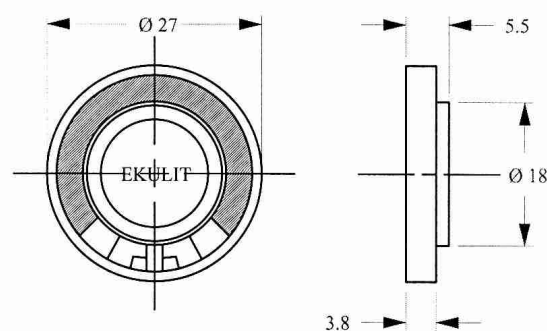
EKULIT

SPECIFICATIONS:

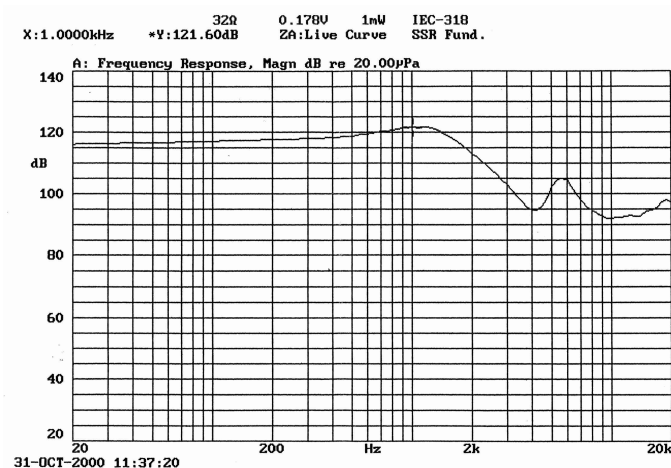
TYPE	UNIT	LSF-27M/SC
Impedance	Ω	32 \pm 15%
Power (Nominal)	mW	30
Power (Maximum)	W	0.1
Resonant Frequency	Hz	280 \pm 20%
Sound Pressure Level	dB	121 \pm 3
Frequency Range	Hz	20~2.200
Operating Temperature	$^{\circ}$ C	-25~+50
Storage Temperature	$^{\circ}$ C	-25~+60

DIMENSIONS :

(Unit: mm)



Frequency response:



Adresse: **Felix-Wankel-Str. 35 • 73760 Ostfildern/Nellingen**

Tel: **+49-711/3414023**

Fax: **+49-711/3414024**

E-mail: **kmmauz@t-online.de**

Web site: **www.EKULIT.de**