

SAL M8x1 CONNECTORS FIELD-ATTACHABLE

Nomenclature

S A L - 8 - R K W C 4 - L

SAL
Sensor Actor Line

Installation size
8 = M8x1

Coding
= A-coding

Building
R = Circular connector

Configuration
K = Female connector
S = Male connector

Building
= Standard
W = Angled

Building
C = Field-attachable

Number of poles
4 = 4-pos
5 = 5-pos

Termination
L = Soldering termination up to max. 0,5 mm²
K = Clamp connection for 0,14 mm² - 0,34 mm²
S = Screw termination up to max. 0,5 mm²

SAL M8x1 CONNECTORS FIELD-ATTACHABLE

Productspecification

| Basic material | |
|---------------------|------------------------------------|
| Contact | CuZn |
| Contact plating | Ni, Au gal. |
| Contact carrier | PA6 GF, UL 94 / PA6, UL 94 |
| Housing | PA6 GF, UL 94 |
| Cable sealing | NBR |
| Sealing | Silicon |
| Coupling nut/-screw | Zinc-diecast, nickel plated / CuZn |

| Technical Data | |
|---|-----------------|
| Information on the following pages are basing on below mentioned IEC-standards. | |
| Rated voltage | IEC 61076-2-104 |
| Current rating | IEC 61076-2-104 |
| Insulation resistance | IEC 60512 |
| Pollution degree | IEC 60664-1 |
| Degree of protection | IEC 60529 |
| Temperature range | IEC 60664-1 |
| Mating cycles | IEC 60512-9a |

Recommended torquet: 0,4 Nm

Technical subject to change without notice.

SAL M8x1 CONNECTORS

Female connector, axial, field-attachable with screw termination



RoHS compliant

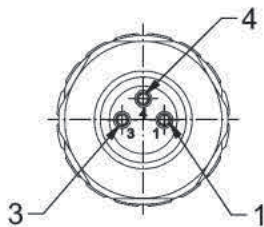
TECHNICAL DATA

| | | |
|-----------------------|-------------------------------------|-------|
| Rated voltage | 3-pos | 4-pos |
| | 60V | 30V |
| Current rating | 4A at +40°C with 0,5mm ² | |
| Pollution degree | 3 / 2 | |
| Insulation resistance | >= 100 MΩ | |
| Degree of protection | IP67 in mated condition | |
| Temperature range | -30°C to +85°C | |
| Mating cycles | >= 100 | |

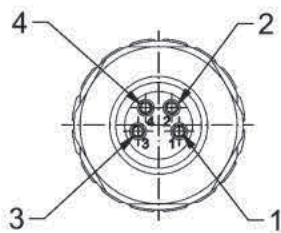
PRODUCT DRAWING

Pin Configuration

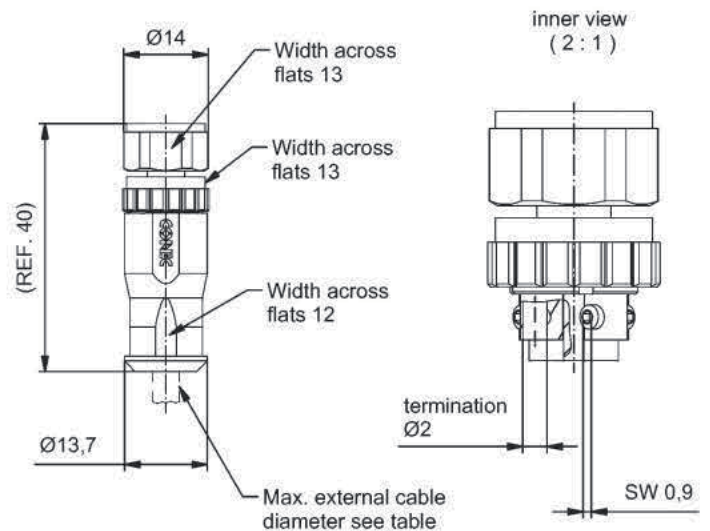
3-pos



4-pos



Dimension



ORDER DATA

| Cable outer diameter | Description | 3-pos Part-no. | Description | 4-pos Part-no. |
|----------------------|--------------|----------------|--------------|----------------|
| max. Ø4-5,5mm | SAL-8-RKC3-S | 42-00010 | SAL-8-RKC4-S | 42-00012 |

SAL M8x1 CONNECTORS

Female connector, angled, field-attachable with screw termination



RoHS compliant

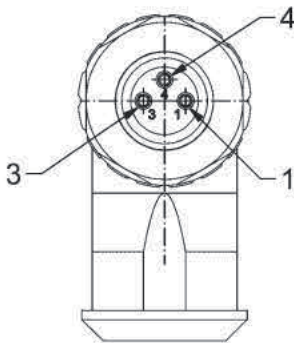
TECHNICAL DATA

| | | |
|-----------------------|-------------------------------------|-------|
| Rated voltage | 3-pos | 4-pos |
| | 60V | 30V |
| Current rating | 4A at +40°C with 0,5mm ² | |
| Pollution degree | 3 / 2 | |
| Insulation resistance | ≥ 100 MΩ | |
| Degree of protection | IP67 in mated condition | |
| Temperature range | -30°C to +85°C | |
| Mating cycles | ≥ 100 | |

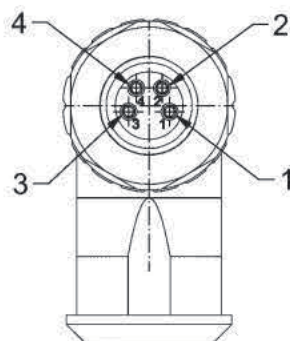
PRODUCT DRAWING

Pin Configuration

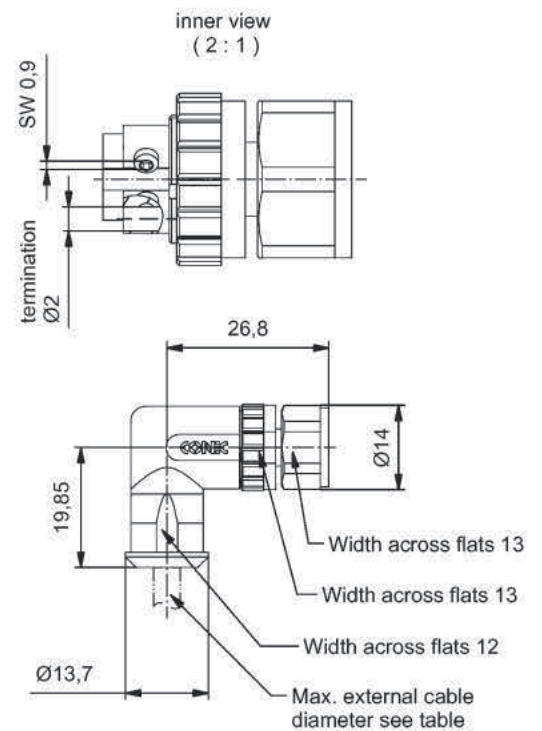
3-pos



4-pos



Dimension



ORDER DATA

| Cable outer diameter | Description | 3-pos Part-no. | Description | 4-pos Part-no. |
|----------------------|---------------|----------------|---------------|----------------|
| max. Ø4-5,5mm | SAL-8-RKWC3-S | 42-00026 | SAL-8-RKWC4-S | 42-00028 |

SAL M8x1 CONNECTORS

Male connector, axial, field-attachable with screw termination



RoHS compliant

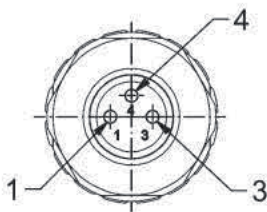
TECHNICAL DATA

| | | |
|-----------------------|-------------------------------------|-------|
| Rated voltage | 3-pos | 4-pos |
| | 60V | 30V |
| Current rating | 4A at +40°C with 0,5mm ² | |
| Pollution degree | 3 / 2 | |
| Insulation resistance | ≥ 100 MΩ | |
| Degree of protection | IP67 in mated condition | |
| Temperature range | -30°C to +85°C | |
| Mating cycles | ≥ 100 | |

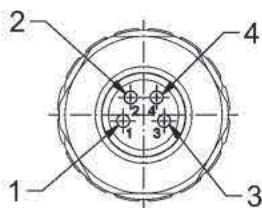
PRODUCT DRAWING

Pin Configuration

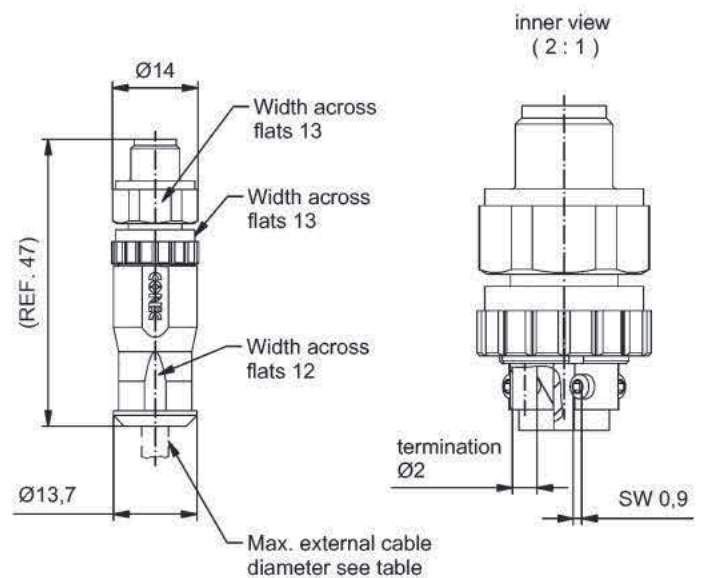
3-pos



4-pos



Dimension



ORDER DATA

| Cable outer diameter | Description | 3-pos Part-no. | Description | 4-pos Part-no. |
|----------------------|--------------|----------------|--------------|----------------|
| max. Ø4-5,5mm | SAL-8-RSC3-S | 42-00009 | SAL-8-RSC4-S | 42-00011 |

SAL M8x1 CONNECTORS

Male connector, angled, field-attachable with screw termination



RoHS compliant

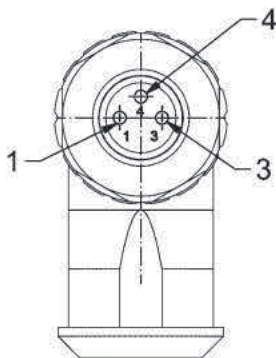
TECHNICAL DATA

| | | |
|-----------------------|-------------------------------------|-------|
| Rated voltage | 3-pos | 4-pos |
| | 30V | 30V |
| Current rating | 4A at +40°C with 0,5mm ² | |
| Pollution degree | 3 / 2 | |
| Insulation resistance | ≥ 100 MΩ | |
| Degree of protection | IP67 in mated condition | |
| Temperature range | -30°C to +85°C | |
| Mating cycles | ≥ 100 | |

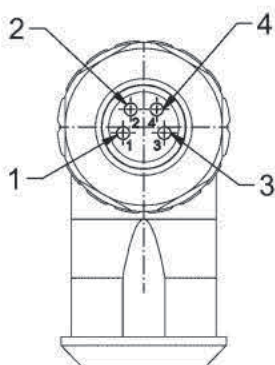
PRODUCT DRAWING

Pin Configuration

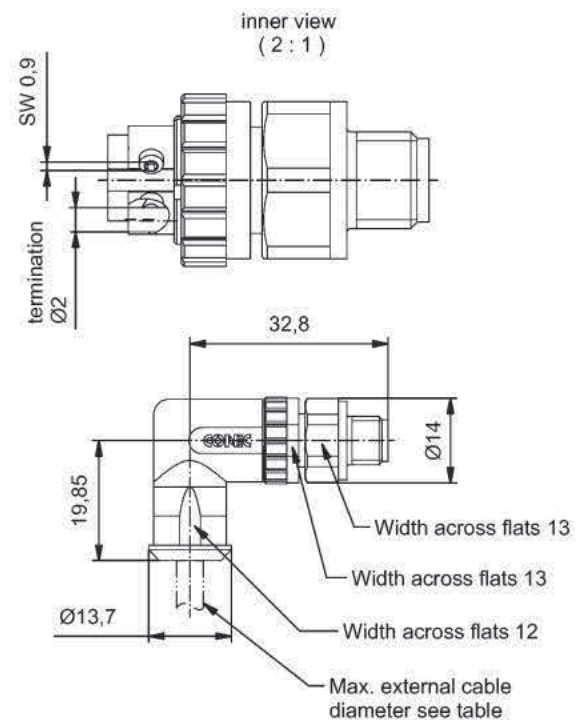
3-pos



4-pos



Dimension



ORDER DATA

| Cable outer diameter | Description | 3-pos Part-no. | Description | 4-pos Part-no. |
|----------------------|---------------|-------------------|---------------|-------------------|
| max. Ø4-5,5mm | SAL-8-RSWC3-S | 42-00025 | SAL-8-RSWC4-S | 42-00027 |