

# SAL M12x1 CONNECTORS FIELD-ATTACHABLE

## Nomenclature

S A L - 1 2 - R K W C 4 - S / 075

**SAL**  
Sensor Actor Line

**Installation size**  
12 = M12x1

**Coding**  
= A-coding  
S = A-coding shielded

**Building**  
R = Circular connector

**Configuration**  
K = Female connector  
S = Male connector

**Building**  
= Standard  
W = Angled

**Building**  
C = Field-attachable

**Number of poles**  
4 = 4-pos  
5 = 5-pos

**Type of connection**  
S = Screw termination  
K = Clamp connection

**Terminal cross section**  
= max. 0,5 mm<sup>2</sup>  
075 = max. 0,75 mm<sup>2</sup>

# SAL M12x1 CONNECTORS FIELD-ATTACHABLE

## Productspecification

Basic material	
Contact	CuZn
Contact plating	Ni, Au gal.
Contact carrier	PA6, UL 94
Housing	Standard: PA6 GF, UL 94 / Shielded: Die Cast, nickel-plated
Clamp-/screw contact	Stainless steel nickel-plated
Screw termination	CuZn/Ni, Sn gal.
Cable sealing	Elastomere
Sealing	FPM
Coupling nut/-screw	GD-Zn, Ni

## Technical Data

Information on the following pages are basing on below mentioned IEC-standards.

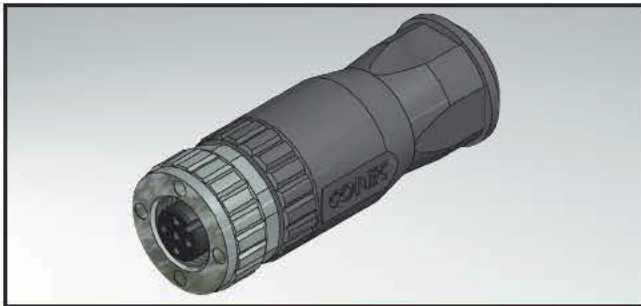
Rated voltage	IEC 61076-2-101
Current rating	IEC 61076-2-101
Insulation resistance	IEC 60512
Pollution degree	IEC 60664-1
Degree of protection	IEC 60529
Temperature range	IEC 60664-1
Mating cycles	IEC 60512-9a

Recommended torquet: 0,6 Nm

Technical subject to change without notice.

# SAL M12x1 CONNECTORS

Female connector, axial, field-attachable with screw termination



RoHS compliant

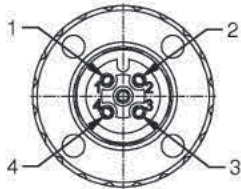
## TECHNICAL DATA

Rated voltage	4-pos	5-pos
	250V	60V
Current rating	4A at +40°C	
Pollution degree	3 / 2	
Insulation resistance	≥ 100 MΩ	
Degree of protection	IP67 in mated condition	
Temperature range	-30°C to +85°C	
Mating cycles	≥ 100	

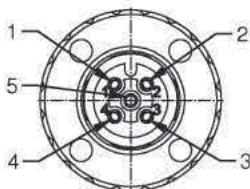
## PRODUCT DRAWING

### Pin Configuration

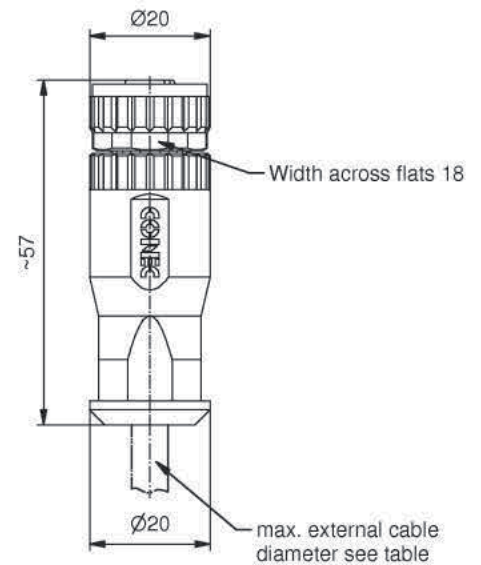
4-pos



5-pos



### Dimension

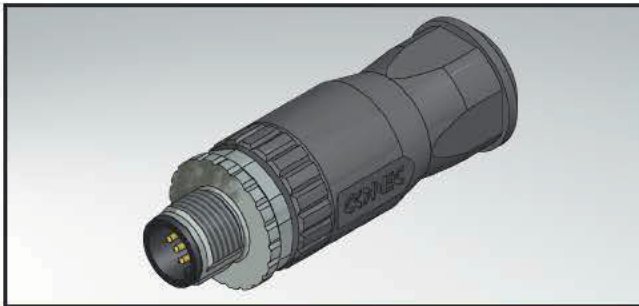


## ORDER DATA

Cable outer diameter	Description	4-pos Part-no.	Description	5-pos Part-no.
max. Ø4-8mm	SAL-12-RKC4-S/075	43-00092	SAL-12-RKC5-S/075	43-00094

# SAL M12x1 CONNECTORS

Male connector, axial, field-attachable with screw termination



RoHS compliant

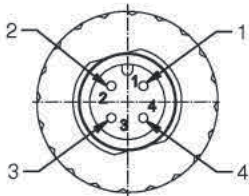
## TECHNICAL DATA

Rated voltage	4-pos	5-pos
	250V	60V
Current rating	4A at +40°C	
Pollution degree	3 / 2	
Insulation resistance	≥ 100 MΩ	
Degree of protection	IP67 in mated condition	
Temperature range	-30°C to +85°C	
Mating cycles	≥ 100	

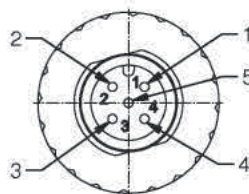
## PRODUCT DRAWING

### Pin Configuration

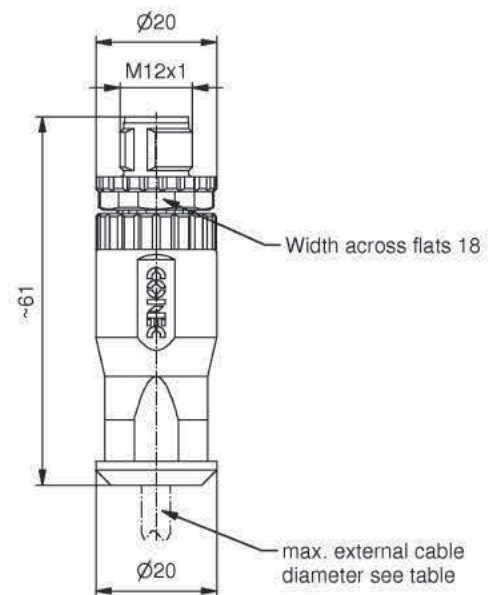
4-pos



5-pos



### Dimension

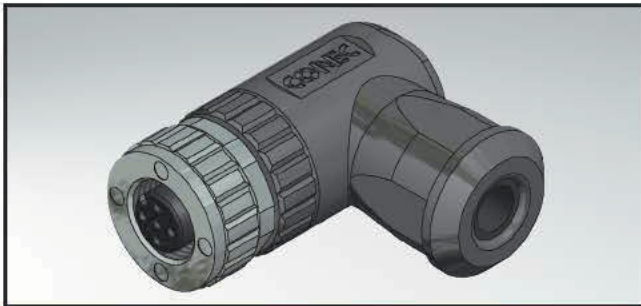


## ORDER DATA

Cable outer diameter	Description	4-pos Part-no.	Description	5-pos Part-no.
max. Ø4-8mm	SAL-12-RSC4-S/075	43-00100	SAL-12-RSC5-S/075	43-00102

# SAL M12x1 CONNECTORS

Female connector, angled, field-attachable with screw termination



RoHS compliant

## TECHNICAL DATA

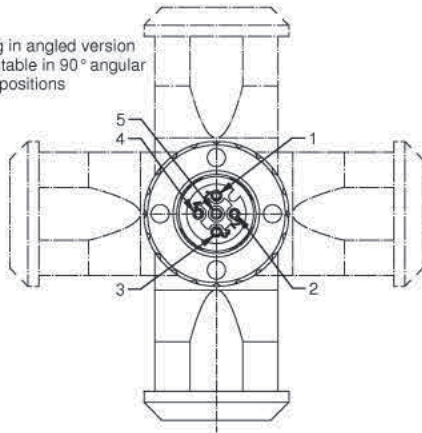
Rated voltage	4-pos	5-pos
	250V	60V
Current rating	4A at +40°C	
Pollution degree	3 / 2	
Insulation resistance	≥ 100 MΩ	
Degree of protection	IP67 in mated condition	
Temperature range	-30°C to +85°C	
Mating cycles	≥ 100	

## PRODUCT DRAWING

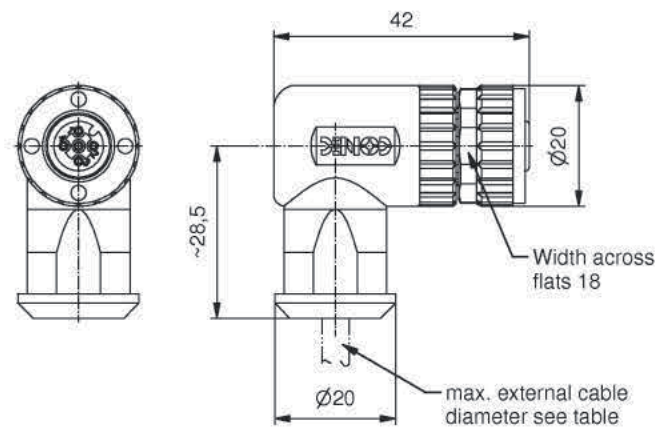
### Pin Configuration

4/5-pos

Housing in angled version is mountable in 90° angular degree positions



### Dimension

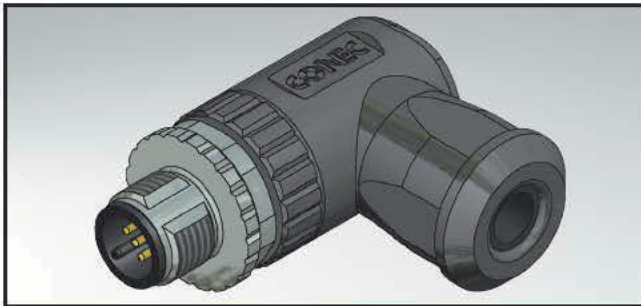


## ORDER DATA

Cable outer diameter	Description	4-pos Part-no.	Description	5-pos Part-no.
max. Ø4-8mm	SAL-12-RKWC4-S/075	43-00096	SAL-12-RKWC5-S/075	43-00098

# SAL M12x1 CONNECTORS

Male connector, angled, field-attachable with screw termination



RoHS compliant

## TECHNICAL DATA

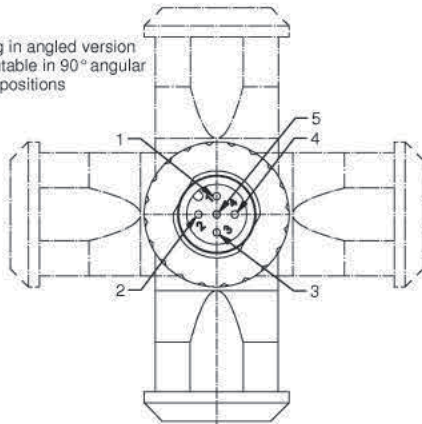
Rated voltage	4-pos	5-pos
	250V	60V
Current rating	4A at +40°C	
Pollution degree	3 / 2	
Insulation resistance	≥ 100 MΩ	
Degree of protection	IP67 in mated condition	
Temperature range	-30°C to +85°C	
Mating cycles	≥ 100	

## PRODUCT DRAWING

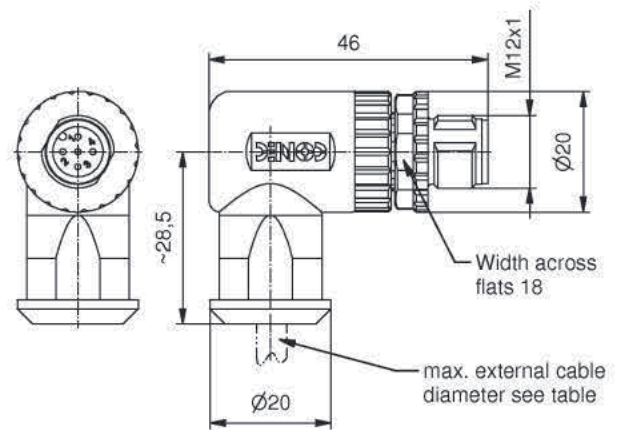
### Pin Configuration

4/5-pos

Housing in angled version is mountable in 90° angular degree positions



### Dimension



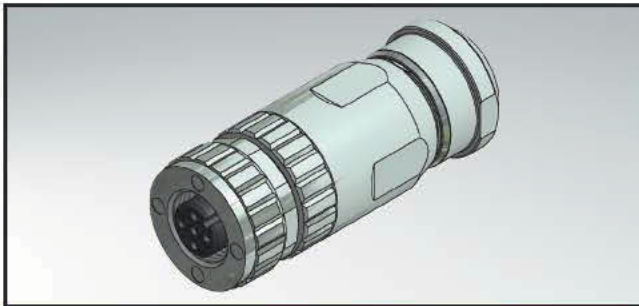
## ORDER DATA

Cable outer diameter	Description	4-pos Part-no.	Description	5-pos Part-no.
max. Ø4-8mm	SAL-12-RSWC4-S/075	43-00104	SAL-12-RSWC5-S/075	43-00106



# SAL M12x1 CONNECTORS

Female connector, axial, field-attachable, shielded with screw termination



RoHS compliant

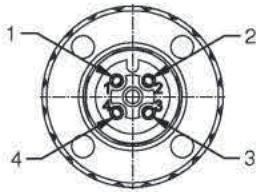
## TECHNICAL DATA

Rated voltage	4-pos	5-pos
	250V	60V
Current rating	4A at +40°C	
Pollution degree	3 / 2	
Insulation resistance	≥ 100 MΩ	
Degree of protection	IP67 in mated condition	
Temperature range	-30°C to +85°C	
Mating cycles	≥ 100	

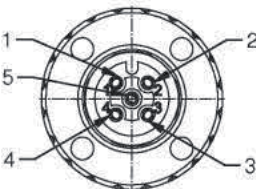
## PRODUCT DRAWING

### Pin Configuration

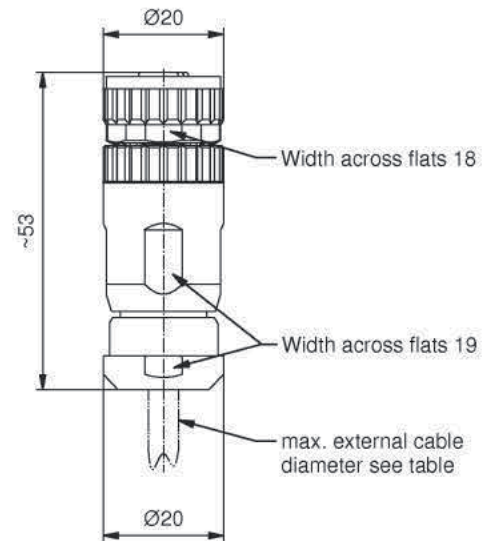
4-pos



5-pos



### Dimension

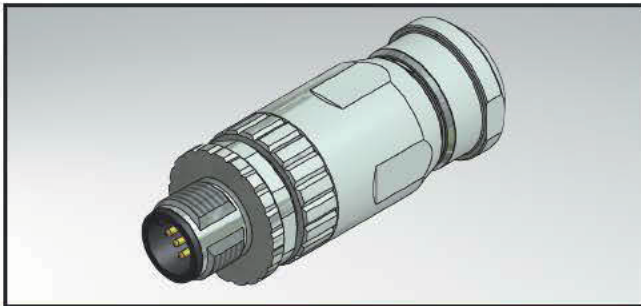


## ORDER DATA

Cable outer diameter	Description	4-pos Part-no.	Description	5-pos Part-no.
max. Ø4-8mm	SAL-12S-RKC4-S/075	43-00113	SAL-12S-RKC5-S/075	43-00114

# SAL M12x1 CONNECTORS

Male connector, axial, field-attachable, shielded with screw termination



RoHS compliant

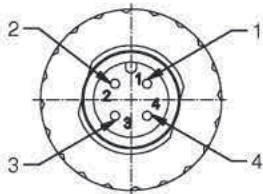
## TECHNICAL DATA

Rated voltage	4-pos	5-pos
	250V	60V
Current rating	4A at +40°C	
Pollution degree	3 / 2	
Insulation resistance	≥ 100 MΩ	
Degree of protection	IP67 in mated condition	
Temperature range	-30°C to +85°C	
Mating cycles	≥ 100	

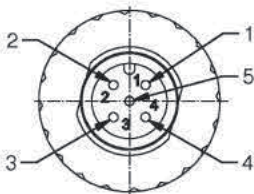
## PRODUCT DRAWING

### Pin Configuration

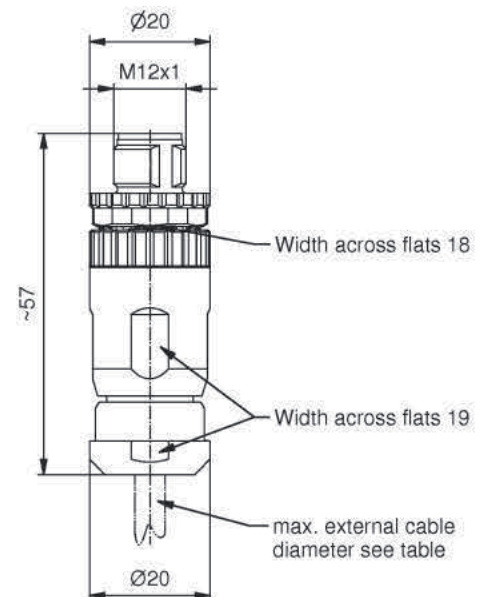
4-pos



5-pos



### Dimension



## ORDER DATA

Cable outer diameter	Description	4-pos Part-no.	Description	5-pos Part-no.
max. Ø4-8mm	SAL-12S-RSC4-S/075	43-00115	SAL-12S-RSC5-S/075	43-00116