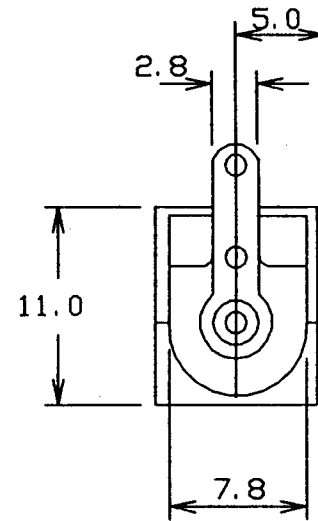
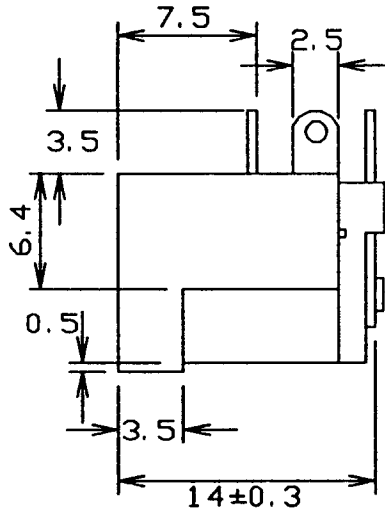
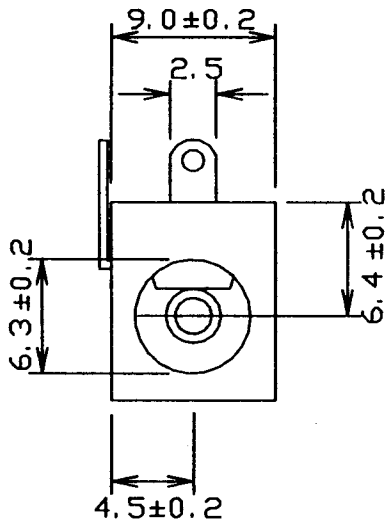
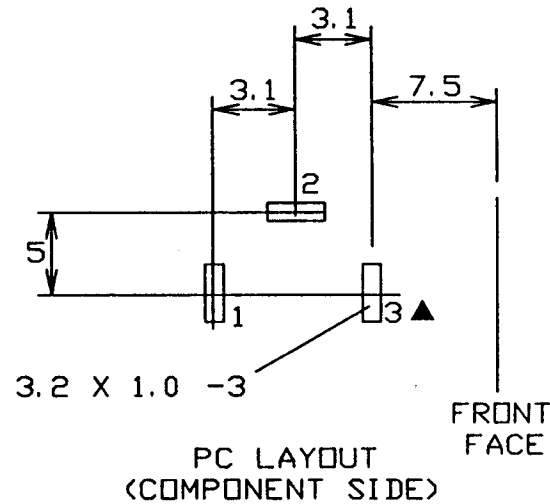


No.	AMEND	DATE
1.	REDRAWN	29/5/90
2.▲	ERROR CORRECT	1/11/90
3.	MATL PBT	14/2/91
4.	P/Nos. ADDED	17/2/94



MODEL NO.	DC-10A (FC68148)	DC-10B (FC68149)
CENTRE PIN DIAMETER	2.0	2.5
SCHEMATIC		

RATED 12VDC - 5A



TOLERANCE
NO DEC. PLACE ± 0.2
1 DEC PLACE ± 0.15
2 DEC PLACE ± 0.1
DIA OF HOLE ±
ANGLES ±
UNLESS OTHERWISE STATED

WHERE USED F.R.

SCALE N.T.S.

DIMENSIONS IN MILLIMETRES UNLESS OTHERWISE STATED. WORK TO DIMENSIONS. DO NOT SCALE DRAWING. 1st.ANGLE PROJECTION. REMOVE BURRS.

Cliff Electronic Components, Inc. 4876 East Second Street, Benicia, CA 94510 USA Tel: (707) 746 8090 Fax: (707) 746 8092	MATERIAL PBT / 20 PCGF / BRASS		TITLE DC POWER SOCKET DC10								
	FINISH AS MOULDED / Ni / Ag PLATED		DRG. No. FC 68148		A	4	D	R	W	G	H
	DRAWN C.A.M.T.	APPD R.W.T.									