

Specification Status: RELEASED

Maximum Electrical Rating at 20°C

30 V_{DC} / 100 A_{DC}
30 V_{AC} / 70 A_{RMS}

Insulating Material:
 Cured, Flame Retardant Epoxy Polymer
 meets UL94 V-0 Requirements

Lead Material:
 20 AWG Tin Plated Copper

Marking:

- Raychem Logo and Voltage
- XX 30
- UF800 — Part Identification
- — Lot Identification (can be on back)

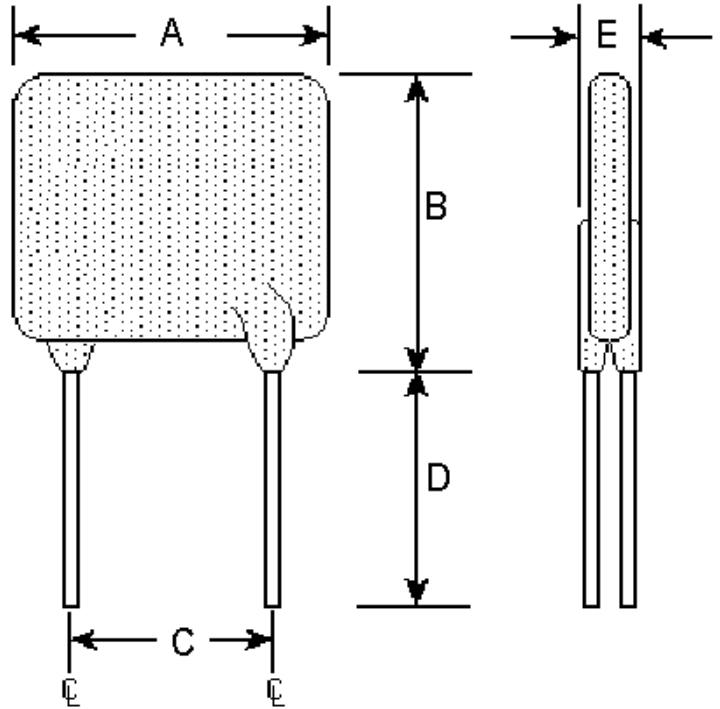


TABLE I. DIMENSIONS:

	A		B		C		D		E	
	MIN	MAX	MIN	MAX	MIN	MAX	MIN	MAX	MIN	MAX
mm:	--	21.6	--	28.4	9.4	10.9	7.6	--	--	3.0
in*:	--	(0.85)	--	(1.12)	(0.37)	(0.43)	(0.30)	--	--	(0.12)

*Rounded off approximation

TABLE II. PERFORMANCE RATINGS:

I HOLD	CURRENT RATINGS		TIME TO TRIP	RESISTANCE		ONE-HOUR POST-TRIP RESISTANCE STANDARD TRIP	NOMINAL TRIPPED POWER DISSIPATION
AMPS 20°C HOLD	AMPS AT 20°C HOLD	AMPS AT 20°C TRIP	SECONDS AT 20°C, 40A MAX	OHMS AT 20°C MIN MAX		OHMS AT 20°C MAX	WATTS AT 20°C
8.00	8.00	16.00	18.8	0.005	.013	0.02	4.0

Recognitions: UL, CSA, TUV
 Reference Documents: PS300
 Precedence: This specification takes precedence over documents referenced herein.
 Effectivity: Reference documents shall be the issue in effect on the date of invitation for bid.
 CAUTION: Operation beyond the rated voltage or current may result in rupture, electrical arcing or flame.