

Kabelbriden

Stahl
für Kabel-Ø 4 – Ø 13

Werkstoff:
ST zn = Stahl verzinkt

Bestellbeispiel:
Exemple de commande:
Example of order:

5000.99
(5000 ST zn)

Brides de câble

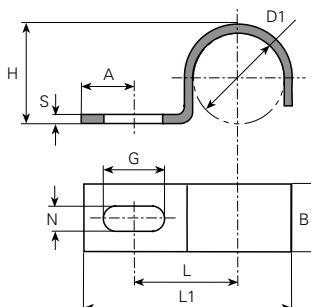
acier
pour câble-Ø 4 – Ø 13

Matière:
ST zn = acier zingué

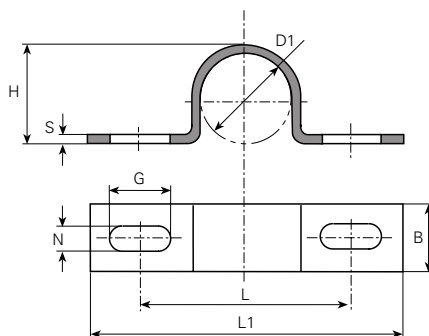
Cable clips

steel
for cable-Ø 4 – Ø 13

Material:
ST zn = zinc-plated steel



øD 1 mm	L mm	L1 mm	A mm	N mm	G mm	B mm	H mm	S mm	Stand.-Packg.	Artikel-Nr. Numéro d'article Part-No.
4	6.5	14	4.5	3.6	4.8	8	5	0.8	500	5000.99
4.5	7	14.5	4.5	3.6	4.8	8	4.8	0.8	500	5001.99
5	7.5	14.7	4	3.6	4.8	8	5	0.8	500	5002.99
6	7.2	15	3.8	3.6	4.8	8	6.4	0.8	500	5003.99
7	8.5	16.5	3.8	3.6	4.5	8	6.8	0.8	500	5004.99
8	9.2	18.2	3.8	3.6	4.8	8	8	0.8	500	5005.99
9	11	23.7	6	4.2	5.7	9	8.8	1	200	5006.99
11	12.3	24	4.7	4.5	6	9	10.8	1	200	5007.99



Bestellbeispiel:
Exemple de commande:
Example of order:

5100.99
(5100 ST zn)

øD 1 mm	L mm	L1 mm	N mm	G mm	B mm	H mm	S mm	Stand.-Packg.	Artikel-Nr. Numéro d'article Part-No.
7	20	29.5	4.2	5.7	10	8	1	200	5100.99
9.5	21	29.5	4.2	6	10	10.4	0.9	200	5101.99
11	25	35	4.2	6	10	11.8	1.2	200	5102.99
13	26	38	4.2	5.7	10	14	0.9	200	5103.99

Kabelbriden

Stahl
Rostfreier Stahl
für Kabel-Ø 2 - Ø 5

Werkstoff:

ST zn = Stahl verzinkt
ST ni = Stahl vernickelt
RF = Rostfreier Stahl

Brides de câble

acier
acier inox
pour câble-Ø 2 - Ø 5

Matière:

ST zn = acier zingué
ST ni = acier nickelé
RF = acier inox

Cable clips

steel
stainless steel
for cable-Ø 2 - Ø 5

Material:

ST zn = zinc-plated steel
ST ni = nickel-plated steel
RF = stainless steel

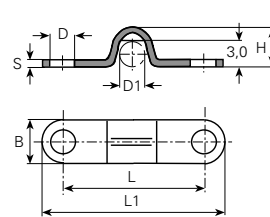
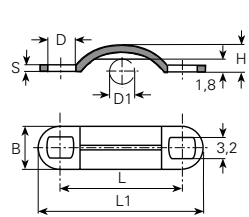
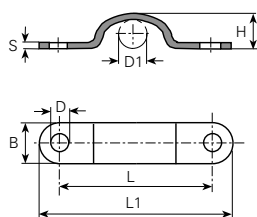
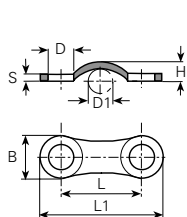
Bestellbeispiel:

Exemple de commande:

Example of order:

5114.99

(5114 ST zn)



Artikel-Nr.
Numéro d'article
Part-No.

5114.99 (ST zn)

D1 ø2
L 11
L1 17.1
D ø3.5
B 6.1
H 2
S 1

5121.99 (ST zn)

D1 ø2.5
L 13
L1 18
D ø2.7
B 4
H 2.5
S 1

5115.99 (ST zn)

D1 ø2.5
L 16
L1 23
D ø4
B 6.3
H 3.3
S 1

5120B.99 (ST zn)

D1 ø3.5
L 20
L1 26
D ø3.3
B 6
H 5
S 0.8

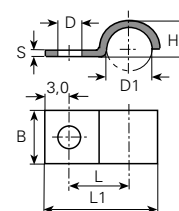
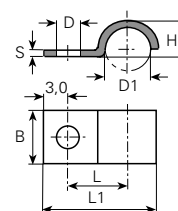
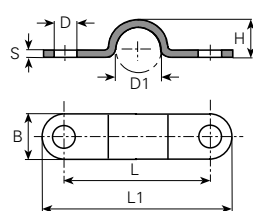
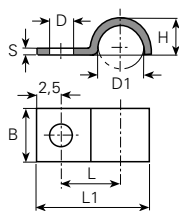
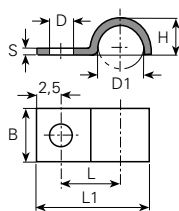
Stand.-Packg.

1000

500

1000

1000



Artikel-Nr.
Numéro d'article
Part-No.

5117.80 (RF)

D1 ø3.6
L 5.3
L1 10.1
D ø2.6
B 5
H 3.3
S 0.5

5118.99 (ST zn)

D1 ø3
L 7
L1 11.6
D ø3.2
B 6
H 3
S 0.6

5120A.99 (ST zn)

D1 ø4.5
L 20
L1 26
D ø3.3
B 6
H 5
S 0.8

5112.99 (ST zn)
5112.95 (ST ni)

D1 ø5
L 6.5
L1 15.2
D ø3.2
B 7
H 5
S 1

5116.99 (ST zn)

D1 ø5
L 6.5
L1 15.2
D ø4.3
B 7
H 5
S 1

Stand.-Packg.

1000

1000

1000

1000

1000

Kabelbriden

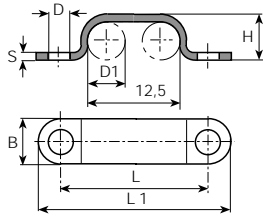
Messing
Stahl
Presspan
für Kabel-Ø 5.5 - Ø 8

Werkstoff:

CU bl = Kupfer blank
MS bl = Messing blank
ST zn = Stahl verzinkt
PR = Presspan

Bestellbeispiel:
Exemple de commande:
Example of order:

5125.99
(5125 ST zn)



Artikel-Nr.
Numéro d'article
Part-No.

5125.99 (ST zn)

D1 ø 5.5
L 20
L1 26
D ø 3.3
B 6
H 5.7
S 0.8

Stand.-Packg.

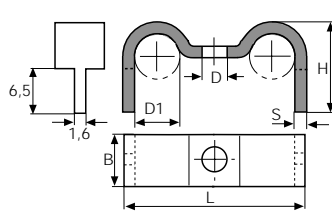
500

Brides de câble

laiton
acier
presspan
pour câble-Ø 5.5 - Ø 8

Matière:

CU bl = cuivre brut
MS bl = laiton brut
ST zn = acier zingué
PR = presspan



5130.99 (ST zn)

D1 ø 4.5-5.5
L 24
D ø 3.2
B 7
H 11
S 1.5

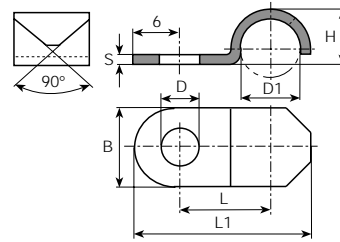
200

Cable clips

brass
steel
pressboard
for cable-Ø 5.5 - Ø 8

Material:

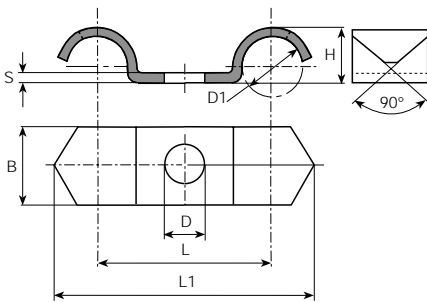
CU bl = copper clean
MS bl = clean brass
ST zn = zinc-plated steel
PR = pressboard



5113.60 (MS bl)

D1 ø 8
L 12
L1 23
D ø 5
B 10
H 7.5
S 1.2

500



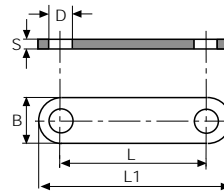
Artikel-Nr.
Numéro d'article
Part-No.

5123.60 (MS bl)

D1 ø 8
L 23
L1 34.5
D ø 5
B 10
H 7.5
S 1.2

Stand.-Packg.

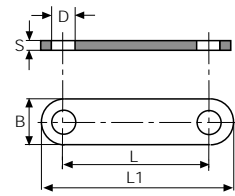
200



5124.60 (MS bl)

D1 ø 8
L 23
L1 34.5
D ø 6.3
B 10
H 7.5
S 1.2

200



5135.99 (ST zn)

L 19.5
L1 25.5
D ø 3.3
B 6
S 1

1000

5135.PR (PR)

L 19.5
L1 25.5
D ø 3.3
B 6
S 1

1000