

**FEATURES**

- BUS+FADER+DIMMER+DRIVER
- DC Input: 12-24-48 Vdc
- Remote command options:
 - DMX512+RDM
 - DALI
- Local command options:
 - Normally Open push-button
- Adjusting the brightness of white light
- Current outputs or voltage outputs for R-L-C loads
- Typical efficiency > 95%
- Adjusting the brightness up to completed off
- Soft start and soft stop
- Optimized output curve
- Extended temperature range
- 100% Functional test – 5 Years warranty

→ For the whole and update **Device Manual** refer to producer's website: <http://www.dalcnet.com>

➤ **CONSTANT CURRENT VARIANTS**

Application: Dimmer

CODE	Input voltage	Output	Channels	Commands
DLB1248-1CC350-DMX	12-48V DC	1 x 350mA	1	DMX – 1 N.O. push button
DLB1248-1CC350-DALI	12-48V DC	1 x 350mA	1	DALI – 1 N.O. push button
DLB1248-1CC500-DMX	12-48V DC	1 x 500mA	1	DMX – 1 N.O. push button
DLB1248-1CC500-DALI	12-48V DC	1 x 500mA	1	DALI – 1 N.O. push button
DLB1248-1CC700-DMX	12-48V DC	1 x 700mA	1	DMX – 1 N.O. push button
DLB1248-1CC700-DALI	12-48V DC	1 x 700mA	1	DALI – 1 N.O. push button
DLB1248-1CC950-DMX	12-48V DC	1 x 950mA	1	DMX – 1 N.O. push button
DLB1248-1CC950-DALI	12-48V DC	1 x 950mA	1	DALI – 1 N.O. push button

Any current value in range from 150mA to 950mA is available on demand.

➤ **CONSTANT VOLTAGE VARIANTS**

Application: Dimmer

CODE	Input voltage	Output	Channels	Commands
DLB1248-1CV-DMX	12-48V DC	1 x 6,5A max	1	DMX – 1 N.O. push button
DLB1248-1CV-DALI	12-48V DC	1 x 6,5A max	1	DALI – 1 N.O. push button

➤ **PROTECTIONS**

		CC	CV
OTP	Over temperature protections ¹	✓	✓
OVP	Over voltage protections ²	✓	✓
UVP	Under voltage protection ⁷	✓	✓
RVP	Reverse polarity protection ⁷	✓	✓
IFP	Input fuse protection ⁷	✓	✓
SCP	Short circuit protection	✗	✓
OCP	Open circuit protection	✓	✗
CLP	Current limit protection	✓	✓

¹ Thermal Protection on the output channel in case of high temperature. The thermal intervention is detected by transistor (>150°C) or by constant current LED driver regulation in current variant (>150°C).

² Only control logic protection.



➤ REFERENCE STANDARDS

EN 61347-1	Lamp controlgear - Part 1: General and safety requirements
EN 55015	Limits and methods of measurement of radio disturbance characteristics of electrical lighting and similar equipment
EN 61547	Equipment for general lighting purposes - EMC immunity requirements
EN 50581	Technical documentation for the assessment of electrical and electronic products with respect to the restriction of hazardous substances
IEC/EN 62386-101	Digital addressable lighting interface - Part 101: General requirements - System
IEC/EN 62386-102	Digital addressable lighting interface - Part 102: General requirements - Control gear
IEC/EN 62386-207	Digital addressable lighting interface - Part 207: Particular requirements for control gear – LED modules (device type 6)
IEC 60929-E.2.1	Control interface for controllable ballasts - control by d.c. voltage - functional specification
ANSI E 1.3	Entertainment Technology - Lighting Control Systems - 0 to 10V Analog Control Specification
ANSI E1.11	Entertainment Technology - USITT DMX512-A - Asynchronous Serial Digital Data Transmission Standard for Controlling Lighting Equipment and Accessories
ANSI E1.20	Entertainment Technology-RDM-Remote Device Management over USITT DMX512 Networks
-	MODBUS APPLICATION PROTOCOL SPECIFICATION V1.1b

➤ TECHNICAL SPECIFICATIONS

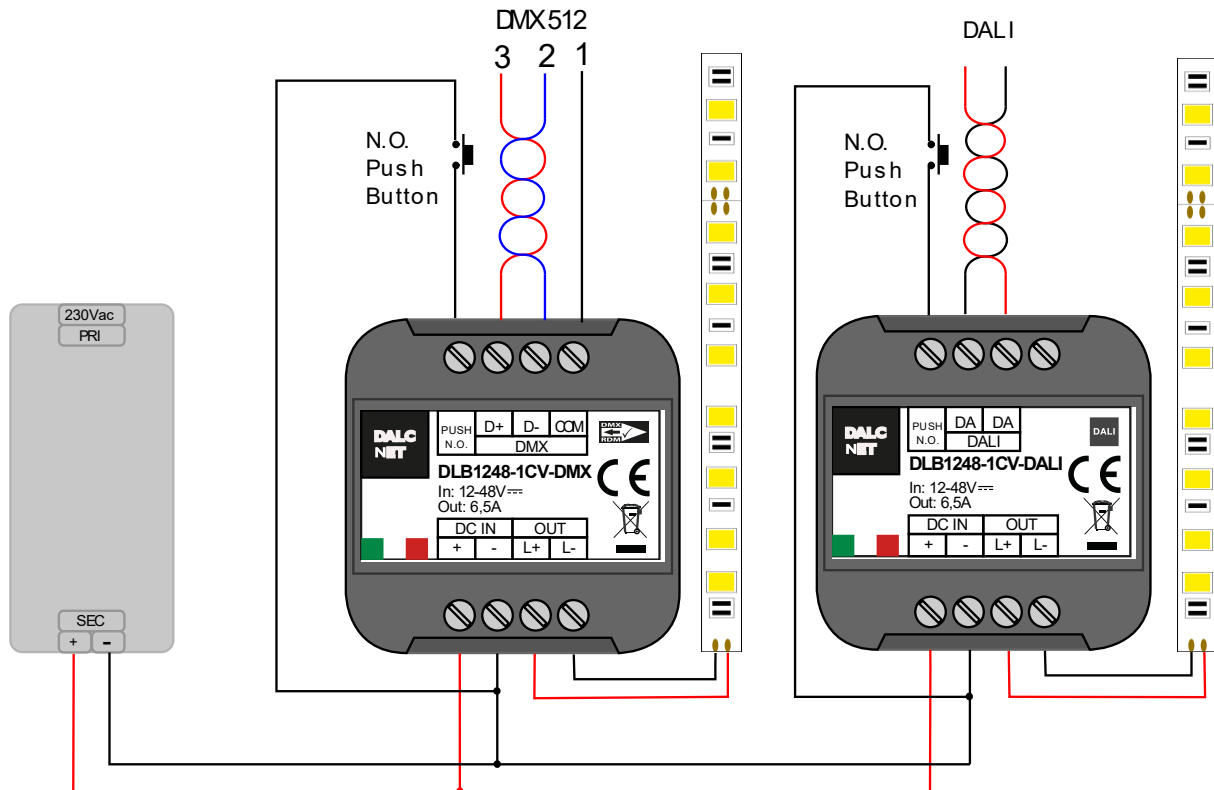
		Variants				Constant voltage
		Constant current				
		350mA	500mA	700mA	950mA	
Supply voltage		min: 10,8 Vdc .. max: 52,8 Vdc				
Output voltage		min: Vin/4 max: Vin-0.9V				= Vin
Input current		max 0,53A	max 0,5A	max 0,7A	max 0,95A	max 6,5A
Output current		350 mA	500 mA	700 mA	950 mA	6,5A @40°C
Absorbed nominal power ³	@12V	4.2 W	6 W	8.4 W	11.4 W	78 W
	@24V	8.4 W	12 W	16.8 W	22.8 W	156 W
	@48V	16.8 W	24 W	33.6 W	45.6 W	312 W
Power loss in standby mode		<500mW				
Type of Load		R-L-C				
Thermal shutdown		150 °C				
D-PWM dimming frequency		250Hz				
D-PWM resolution		16 bit				
D-PWM range		0,1 – 100 %				
Storage temperature		min: -40 max: +60 °C				
Ambient temperature		min: -10 max: +40 °C				
Wring		2.5mm ² solid - 1.5mm ² stranded - 30/12 AWG				
Wire preparation length		5,5 – 6,5 mm				
Protection grade		IP20				
Casing material		Plastic				
Packaging unit (pieces/unit)		Single Carton Box 1pz				
Mechanical dimensions		45 x 58 x 25 mm				
Package dimensions		56 x 68 x 35 mm				
Weight		40g				

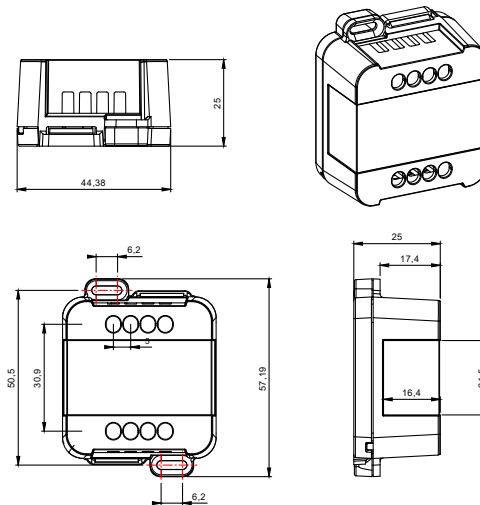
³ Maximum value, dependent on the ventilation conditions

➤ INSTALLATION

As shown below do the following steps to install the product:

- 1) connect the power supply (12-48 V) to the device terminals DC IN
- 2) connect the N.O. Push button and / or the BUS in the correct terminals of the device
- 3) connect the LED output terminals OUT



➤ MECHANICAL DIMENSION:**➤ TECHNICAL NOTES****Installation:**

- Installation and maintenance must be performed only by qualified personnel in compliance with current regulations.
- The product must be installed inside an electrical panel protected against overvoltages.
- The product must be installed in a vertical or horizontal position with the cover / label upwards or vertically; Other positions are not permitted. It is not permitted to bottom-up position (with the cover / label down).
- Keep separated the circuits at 230V (LV) and the circuits not SELV from circuits to low voltage (SELV) and from any connection with this product. It is absolutely forbidden to connect, for any reason whatsoever, directly or indirectly, the 230V mains voltage to the bus or to other parts of the circuit.

Power supply:

- For the power supply use only a SELV power supplies with limited current, short circuit protection and the power must be dimensioned correctly. In case of using power supply with ground terminals, all points of the protective earth (PE = Protection Earth) must be connected to a valid and certified protection earth.
- The connection cables between the power source "low voltage" and the product must be dimensioned correctly and they should be isolated from every wiring or parts at voltage not SELV. Use double insulated cables.
- Dimension the power supply for the load connected to the device. If the power supply is oversized compared with the maximum absorbed current, insert a protection against over-current between the power supply and the device.
- For the constant current output, the voltage of LED module (Vf) must be less of 5V at the voltage of power supply.

Command:

- The length of the connection cables between the local commands (N.O. Push button or other) and the product must be less than 10m; the cables must be dimensioned correctly and they should be isolated from every wiring or parts at voltage not SELV. Use double insulated shielded and twisted cables.
- The length and type of the connection cables at the BUS (DMX512, Modbus, DALI or other) use cables as per specification of the respective protocols and regulations and they should be isolated from every wiring or parts at voltage not SELV. Use double insulated shielded and twisted cables.
- All the product and the control signal connect at the bus (DMX512, Modbus, DALI or other) and at the local command (N.O. Push Button or other) must be SELV (the devices connected must be SELV or supply a SELV signal)

Outputs:

- The length of the connection cables between the product and the LED module must be less than 10m; the cables must be dimensioned correctly and they should be isolated from every wiring or parts at voltage not SELV. Is preferable to use shielded and twisted cables.



➤ LOCAL COMMAND

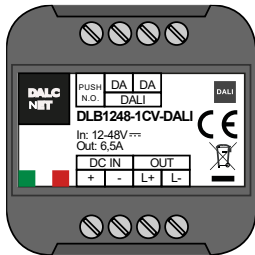
PUSH DIMMER FEATURE

The intensity and the status change (ON/OFF) are controlled by the N.O. push button

Button	Intensity
Click	On/Off
Double click	Maximum intensity
Long pressure (>1s) from OFF	Turn on at 1% (Nightly Time), then the dimmer up/down
Long pressure (>1s) from ON	Dimmer up/down

**➤ DALI BUS SETUP**

In **DALI BUS SETUP** all the leds are controlled by an external DALI controller

FEATURES

- BUS DALI

REFERENCE STANDARDS

IEC/EN 62386-101	Digital addressable lighting interface - Part 101: General requirements - System
IEC/EN 62386-102	Digital addressable lighting interface - Part 102: General requirements – Control gear
IEC/EN 62386-207	Digital addressable lighting interface - Part 207: Particular requirements for control gear – LED modules (device type 6)

RELATIONS WITH LOCAL COMMANDS

At first power-up in case of absence of connection to the BUS, local control is active.

When the BUS is detected, the control passes to the BUS.

In the absence of signal the control passes to local commands in the event of the button pressure.

The control mode is memorized on a non-volatile memory.

ADDRESSING

Simplified method (One ballast connected at time)	✓
Random Address Allocation	✓

CHANNEL MAP

The intensity and the status (ON/OFF) is controlled by a DALI controller.

Address	Function	Value
0	Dimmer	Intensity [0.254]

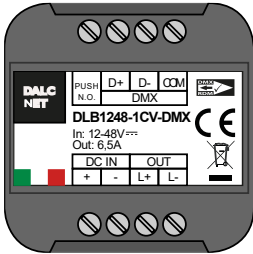


➤ DEFAULT VALUES

	FACTORY	RESET
ACTUAL LEVEL	254	254
POWER ON LEVEL	254	254
SYSTEM FAILURE LEVEL	254	254
MIN LEVEL	1	1
MAX LEVEL	254	254
FADE RATE	7	7
FADE TIME	0	0
SHORT ADDRESS	FF	(no change)
SEARCH ADDRESS	FF FF FF	FF FF FF
RANDOM ADDRESS	FF FF FF	FF FF FF
GROUP 0-7	0	0
GROUP 8-15	0	0
SCENE 0-15	MASK	MASK
STATUS INFORMATION	1??0????	0?100???
VERSION NUMBER	1	(no change)
PHYSICAL MIN. LEVEL	1	(no change)

**➤ DMX512+RDM BUS SETUP**

With the **DMX+RDM BUD** in the "slave" condition the outputs are managed by an external DMX controller.

FEATURES

- BUS DMX512 (NSC+SIP+RDM)

REFERENCE STANDARDS

ANSI E1.11	Entertainment Technology - USITT DMX512-A - Asynchronous Serial Digital Data Transmission Standard for Controlling Lighting Equipment and Accessories
ANSI E1.20	Entertainment Technology-RDM-Remote Device Management over USITT DMX512 Networks

RELATION WITH LOCAL COMMANDS

At first power-up, in case of absence of connection to the BUS, local control is active.

When the BUS is detected, the control passes to the BUS.

In the absence of signal the control passes to local commands in the event of the button pressure.

The control mode is memorized on a non-volatile memory

ADDRESSING

RDM	✓
-----	---

Notice: device addressing have to be carried out by a DMX-RDM programmer.

CHANNEL MAPS

The intensity and the status (ON/OFF) is controlled by a DMX controller

Channel	Function	Value
1	Dimmer	Intensity [0.255]



➤ RDM COMMANDS

<i>PARAMETRI RICHIESTI</i>	
DISC_UNIQUE_BRANCH	✓
DISC_UN_MUTE	✓
SUPPORTED_PARAMETERS	✓
PARAMETERS_DESCRIPTION	✓
DEVICE_INFO	✓
SOFTWARE_VERSION_LABEL	✓
DMX_START_ADDRESS	✓
IDENTIFY_DEVICE	✓

<i>PARAMETRI SUPPORTATI</i>	
PRODUCT_DETAIL_ID_LIST	✓
DEVICE_MODEL_DESCRIPTION	✓
MANUFACTURER_LABEL	✓
DEVIDE_LABEL	✓
BOOT_SOFTWARE_VERSION_ID	✓
BOOT_SOFTWARE_VERSION_LABEL	✓
DMX_PERSONALITY	✓
DMX_PERSONALITY_DESCRIPTION	✓
SLOT_INFO	✓
SLOT_DESCRIPTION	✓
DEFAULT_SLOT_VALUE	✓