

## Features

- 6.5mm slim type miniature PCB Relay
- UL/CUL approved
- Special design for interface application and home appliance
- Comply with RoHS-Directive 2011/65/EU



## Type List

Terminal style	Contact form	Designation (provided with)
		Sealed type washable
PCB Terminal	1A (SPNO)	SG3 100 E .. W

## Ordering Information

SG3 100 E 24 W  
1 2 3 4 5

- |        |                              |       |   |
|--------|------------------------------|-------|---|
| 1. SG3 | -- Basic series Designation  | 4. 24 | -- Coil voltage: 5 = 5VDC; 12 = 12VDC;<br>24 = 24 VDC |
| 2. 100 | -- Single pole normally open | 5. W  | -- Sealed washable                                    |
| 3. E   | -- Contact material AgSnO    |       |   |

## Contact Data

Type of contact	Single contact
Configuration	1 NO
Rated load	5A/250VAC; 5A/30VDC
Maximum switching current	5A
Maximum switching voltage	30VDC / 250VAC
Maximum switching capacity	150W / 1250VA
Contact resistance	100mΩ (@100mA/6V)
Contact material	AgSnO

## Coil rating (DC @+23°C)

Rated voltage (V)	Rated current (mA) ±10%	Resistance (Ω) ±10%	Max. continuous voltage (V)	Pick up voltage (V)	Drop out voltage (V)	Power consumption at rated voltage (mW) (mW)
5	40	125	6.5	3.5	0.5	200
12	16.6	720	15.6	8.4	1.2	
24	8.3	2880	31.2	16.8	2.4	

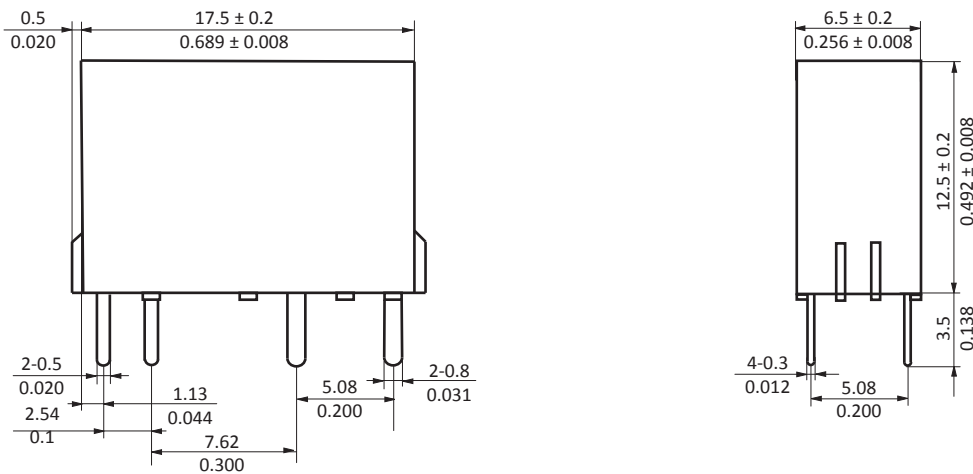
## Specification

Mechanical life	20x10 <sup>6</sup> cycles	
Electrical life	see curve	
Operate Time	10ms Max.	
Release Time	5ms Max.	
Dielectric strength	Between coil and contacts	3000V, 50/60Hz, 1min
	Between open contacts	750V, 50/60Hz, 1min
Surge voltage withstand	Between coil and contacts	6000V (wave 1.2/50μs)
Vibration resistance (10..55 Hz) double amplitude	Operation extremes	1.5mm
	Damage limits	1.5mm
Shock resistance	Operation extremes - 11ms	10g
	Damage limits - 6ms	100g
Ambient temperature	-25...+70°C	
Approvals	UL/CUL	
Weight	3g	

## Safety Approval

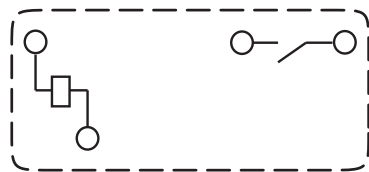
Certified	UL / CUL
Ratings	5A/250VAC ; 5A/30VDC

## Outline Dimensions



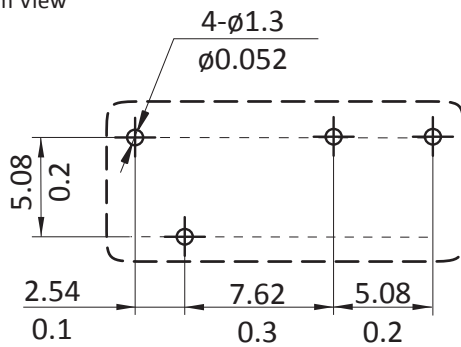
## Wiring Diagram

Bottom View



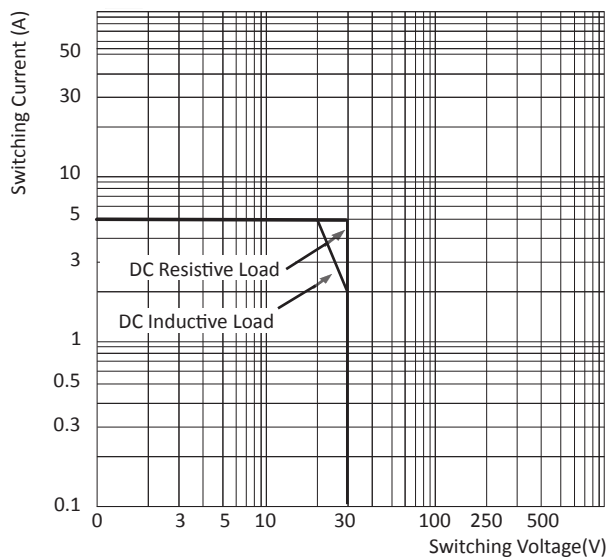
## PC Board Layout

Bottom View

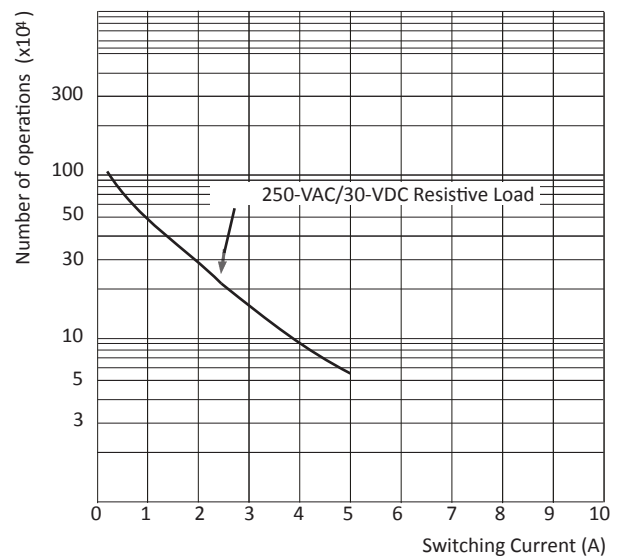


## Engineering Data

Maximum Switching Capacity DC-load



Life Expectancy



### Disclaimer

All technical performance data apply to the relay as such, specific conditions of the individual application are not considered. Please always check the suitability of the relay for your intended purpose. We do not assume any responsibility or liability for not complying herewith. We recommend to complete our questionnaire and to request our technical service. Any responsibility for the application of the product remains with the customer only. All specifications are subject to change without notification. All rights of NF Forward GmbH are reserved.