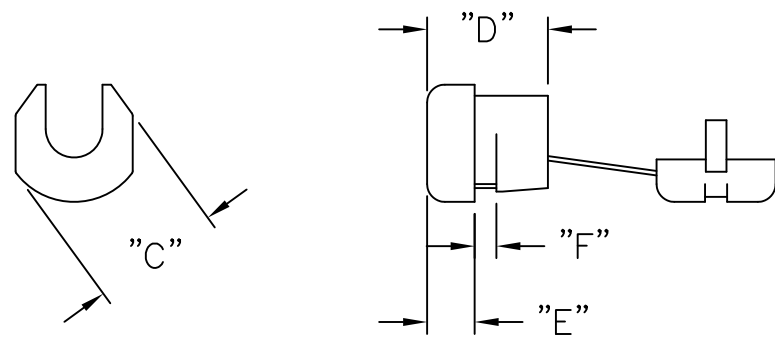
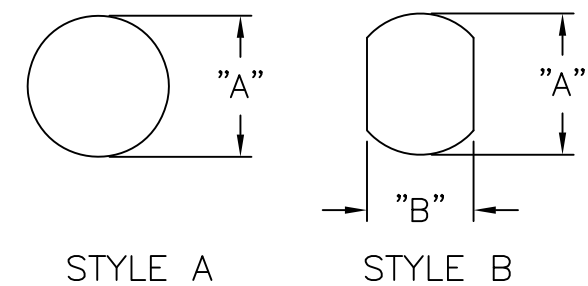


PART NO.	WIRES ACCOMMODATED	REF CABLE STYLE	APPROX. WIRE SIZE	MOUNTING HOLES		C REF	D	E	F MAX. PANEL THICKNESS
				A	B				
SRB-D-3	SP-1, SPT-1 #18/2	FLAT	.120 X .220 (3.0 X 5.6)	.437 (11.10)	.395 (10.03)	.460 (11.68)	.410 (10.41)	.160 (4.06)	.062 (1.57)
SRB-F-2	SP-1, SPT-1 #18/2		.11 X .21 (2.8 X 5.3)	.375 (9.53)	.345 (8.76)	.425 (10.80)	.417 (10.6)	.155 (3.94)	.062 (1.57)
	XT (CLOCKWIRE) #18/2		.09 X .18 (2.3 X 4.6)						
SRB-F-4	SP-2, SPT-2 #16/2 HPN #16/2		.161 X .30 (4.1 X 7.6)	.515 (13.08)	.465 (11.81)	.570 (14.48)	.500 (12.70)	.171 (4.34)	.100 (2.54)
	SP-2, SPT-2 #18/2 HPN #18/2		.15 X .28 (3.8 X 7.1)						
SRB-F-4-SP	SP-2, SPT-2 #16/2 HPN #16/2		.161 X .30 (4.1 X 7.6)	.515 (13.08)	.465 (11.81)	.548 (13.92)	.492 (12.50)	.171 (4.34)	.100 (2.54)
	SP-2, SPT-2 #18/2 HPN #18/2		.15 X .28 (3.8 X 7.1)						
SRB-F-5	HPN #16/3		.16 X .37 (4.1 X 9.4)	.562 (14.27)	.530 (13.46)	.610 (15.49)	.600 (15.24)	.240 (6.10)	.130 (3.30)
	SPT-2 #18/3		.15 X .34 (3.8 X 8.6)						
	SPT-3 #16/2		.20 X .37 (5.1 X 9.4)						
	SPT-3 #18/2	.18 X 3.5 (4.6 X 8.9)							
SRB-F-7	SPT-1 #18/3	.19 X .30 (3.0 X 7.6)	.500 (12.70)	.456 (11.58)	.545 (13.84)	.401 (10.19)	.142 (3.61)	.071 (1.80)	
	SPT-2 & HPN #18/2	.15 X .28 (3.8 X 7.1)							
	SPT-2 & HPN #16/2	.16 X .30 (4.1 X 7.6)							
SRB-R-5	SV, SVT #18/2	.250 (6.35)	.500 (12.70)	.465 (11.81)	.560 (14.22)	.430 (10.92)	.165 (4.19)	.100 (2.54)	
	SV, SVT #18/3	.265 (6.73)	.515 (13.08)						
	HPD #16/2	.290 (7.37)	.500 (12.70)						
	HPD #18/2	.270 (6.86)							
SRB-R-6	SJ, SJT, SJO #16/2	.325 (8.26)	.656 (16.66)	.570 (14.48)	.730 (18.54)	.680 (17.27)	.275 (6.99)	.125 (3.18)	
	SJ, SJT, SJO #18/2	.300 (7.62)	.687 (17.45)						
	SJ, SJT, SJO #16/3	.355 (9.02)							
	SJ, SJT, SJO #18/3	.330 (8.38)							

BUSHING DIMENSIONS



MOUNTING HOLES



PARTS AVAILABLE BY SPECIAL ORDER ONLY

- NOTES:
 1. MATERIAL: NYLON 6/6 (RMS-01).
 2. COLOR: BLACK.

J	SEE CO 200731 FOR CHANGES	SK 10.26.2011	TITLE: STRAIN RELIEF BUSHINGS			DWG IN IN (MM)	FINAL	PART #	PRINT TYPE
I	SEE CO 200560 FOR CHANGES	SK 07.23.10	TOLERANCES UNLESS NOTED .XX=±.010 .XXX=±.005 FRAC=±1/64 ANG=±1°	FILE # SRB-SO	DWN: R.S.				
H	SEE CO 200356 FOR CHANGES	SK 04.23.09		MAT'L: SEE NOTES	DT: 12-08-93	CHKD:	SEE TABLE	CA	
-	SEE ENGINEERING FOR REV A-G	-----		RE: RICHCO, INC.	RICHCO INC. ENG@RICHCO-INC.COM (773) 539-4060				
REV	DESCRIPTION	ENGR DATE							