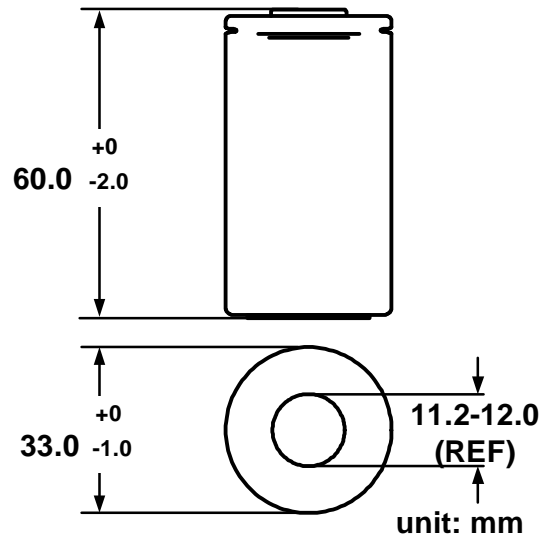
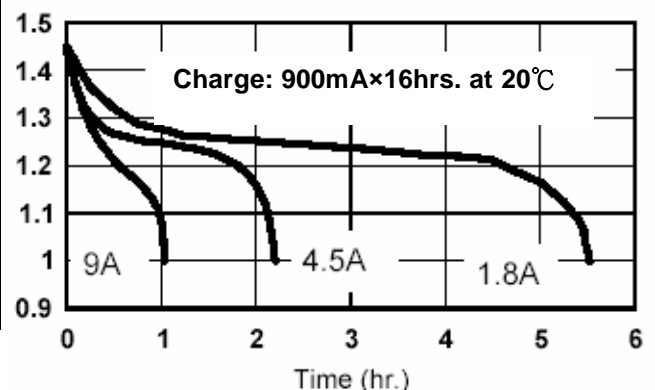


Model No.: **GP900DH**

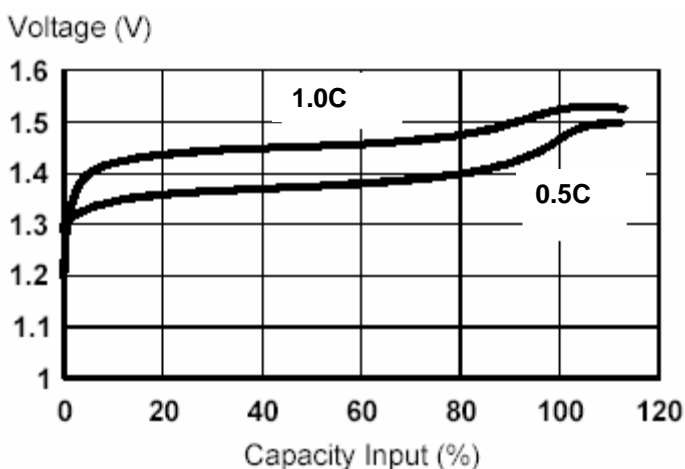
Type	: Rechargeable Nickel Metal Hydride Cylindrical Cell
Nominal Dimension (with Sleeve)	: $\Phi = 33.0\text{mm}$ H = 60.0mm
Applications	: Recommended discharge current 1800mA to 45A(continuous) (momentary) 120A
Nominal Voltage	: 1.2V
Capacity	: Rated: 9000mAh Typical: 9225mAh When discharged at 1800mA to 1.0V at 20°C
Charging Condition	: 900mA for 16hrs at 20°C
Fast Charge	: 4.5A to 9A (0.5 to 1.0C) charge termination control recommended control parameters: - ΔV : 0-5mV DT/dt : 0.8°C/min TCO : 50 – 55°C Timer : 105% nominal input (secondary)
Charge Retention	: 50% of nominal capacity after cell storage at 20°C for 12months When discharged at 1.8A to 1.0V at 20°C
Service Life	: > 500 cycles (IEC standard)
Continuous Overcharge	: 900mA maximum current for 1 year. No conspicuous deformation and/or Leakage
Weight	: 170g
Internal Resistance	: Average 6m Ω upon fully charged (Max: 8m Ω) at 1000Hz
Max. Charging Voltage	: 1.5V at 900mA charging
Ambient Temperature Range	: Standard Charge : 0 to 40°C Fast Charging : 10 to 40°C Discharge : -20 to 50°C Storage : -20 to 35°C Storage (1 week) : -20 to 60°C



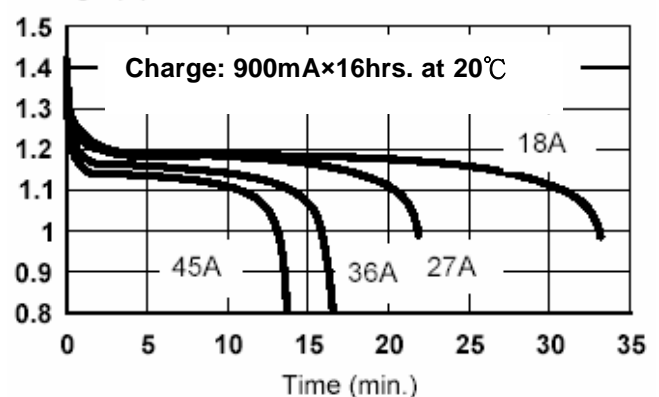
Voltage (V) Low Rate Discharge



Fast Charge (Charge Control Required)



Voltage (V) High Rate Discharge



The information (subject to change without prior notice) contained in this document is for reference only and should not be used as a basis for product guarantee or warranty. For applications other than those described here, please consult your nearest GP Sales and Marketing Office or Distributors.