

# GP Batteries

## Data Sheet

### Rechargeable Nickel Metal Hydride Battery

#### Model: 210AAHC (Revamp)

#### Revision History

| Revision | Date       | Initiator | Change description |
|----------|------------|-----------|--------------------|
| 00       | 2016-03-24 | YQ Chen   | New issue          |

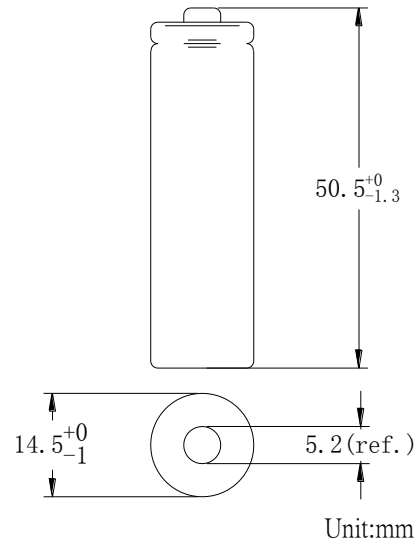
| Prepared by      | Checked by       | Approver         |
|------------------|------------------|------------------|
| RD Engineer      | RD Manager       | SM               |
| YQ Chen          | Jackie Yu        | Vivian Fong      |
| Date: 2016-03-24 | Date: 2016-03-24 | Date: 2016-03-24 |

#### **GPI International Limited**

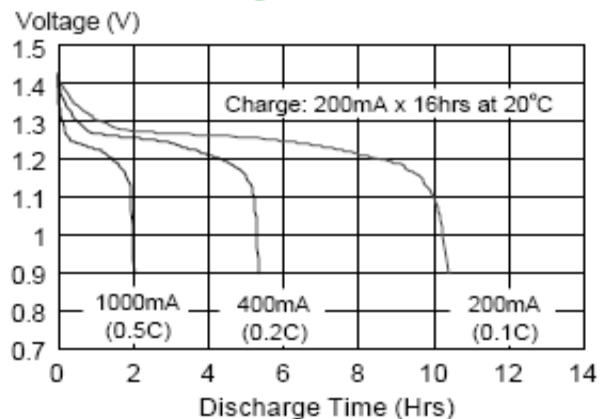
Gold Peak Building, 8/F, 30 Kwai Wing Road,  
Kwai Chung, New Territories, Hong Kong.  
Tel: (852) 2484 3333 Fax: (852) 24805912  
Email: [gpii@goldpeak.com](mailto:gpii@goldpeak.com)  
Website: <http://www.gpbatteries.com>

|  |   |
|--|---|
| <b>Type</b>                            | : Rechargeable Nickel Metal Hydride Cylindrical Cell  |
| <b>Nominal Dimension (with Sleeve)</b> | : $\Phi = 14.5\text{mm}$<br>H = 50.5mm  |
| <b>Applications</b>                    | : Recommended discharge current 200 to 6000mA   |
| <b>Nominal Voltage</b>                 | : 1.2V  |
| <b>Capacity</b>                        | : Rated:: 2000mAh<br>Typical: 2050mAh<br>When discharged at 400mA to 1.0V at 20°C   |
| <b>Charging Retention</b>              | : 80% of nominal capacity after cell storage at 20°C for 12 months<br>When discharged at 400mA to 1.0V at 20°C  |
| <b>Charging Condition</b>              | : 200mA for 16 hrs at 20°C  |
| <b>Fast Charge</b>                     | : 1000mA to 2000mA (0.5 to 1C) charge termination control recommended control parameters:<br>- $\Delta V$ : 0-5mV<br>DT/dt : 0.8°C/min (0.5 to 0.9C)<br>0.8 - 1°C/min (1C)<br>TCO : 45 - 50°C<br>Timer : 105% nominal input (for ref. only) |
| <b>Service Life</b>                    | : >300 cycles (IEC standard)<br>not less than 60% of nominal at 0.1C charge /0.2C discharge   |
| <b>Continuous Overcharge</b>           | : 200mA maximum current for 1 year.<br>No conspicuous deformation and/or leakage  |
| <b>Weight</b>                          | : 27.0g   |
| <b>Internal Resistance</b>             | : Average 18m $\Omega$ upon fully charged (Max. 28m $\Omega$ ) at 1000Hz  |
| <b>Max. Charging Voltage</b>           | : 1.5V at 200mA charging  |
| <b>Ambient Temperature Range</b>       | : Standard Charge : 0 to 45°C<br>Fast Charging : 10 to 45°C<br>Discharge : -20 to 50°C<br>Storage : -20 to 35°C   |

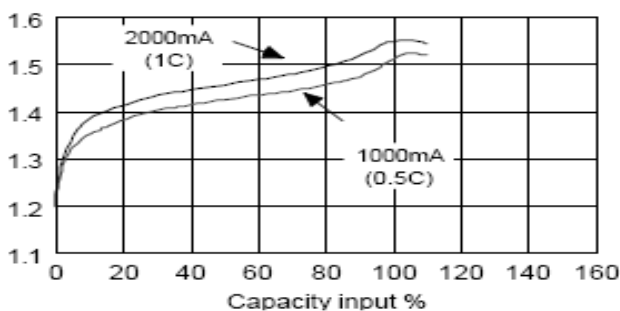
### Model No.: 210AAHC (Revamp)



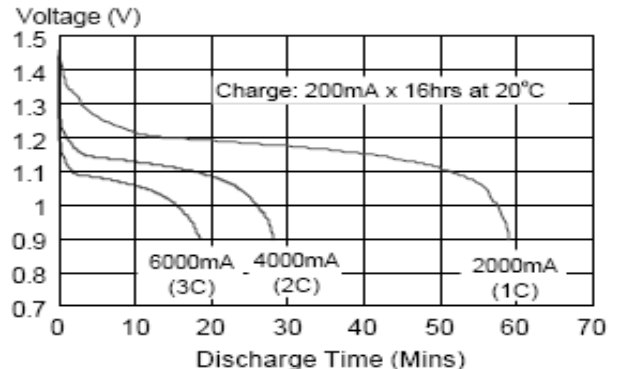
### Low Rate Discharge



### Fast Charge (Charge Control Required)



### High Rate Discharge



The information (subject to change without prior notice) contained in this document is for reference only and should not be used as a basis for product guarantee or warranty. For applications other than those described here, please consult your nearest GP Sales and Marketing Office or Distributors.