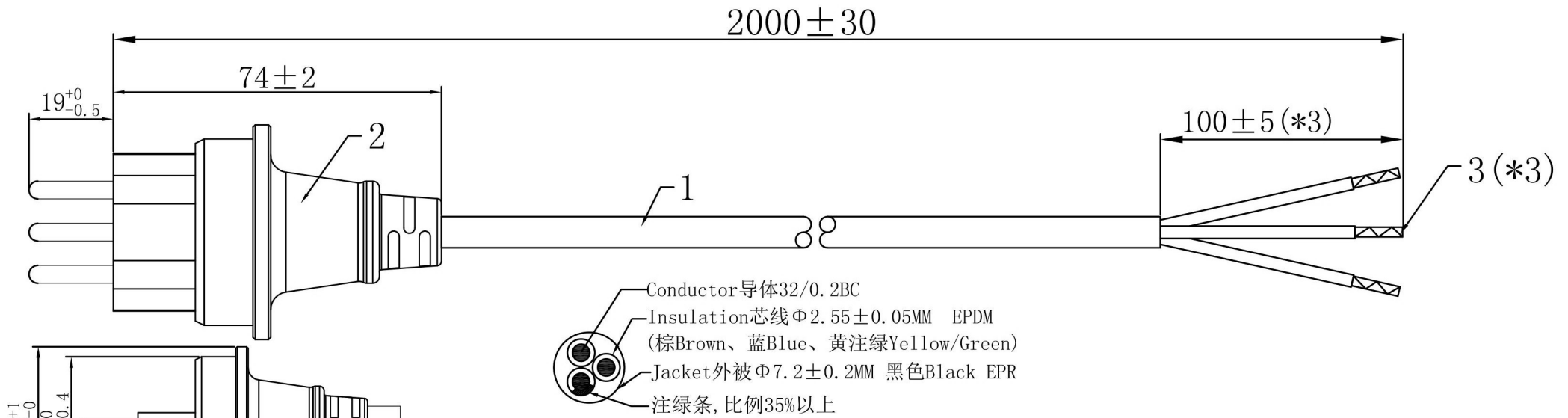


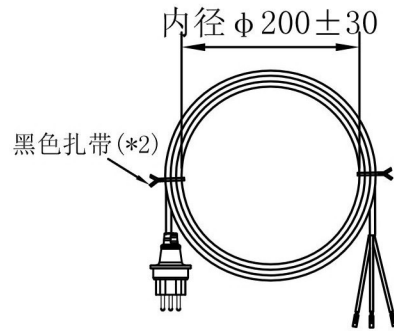
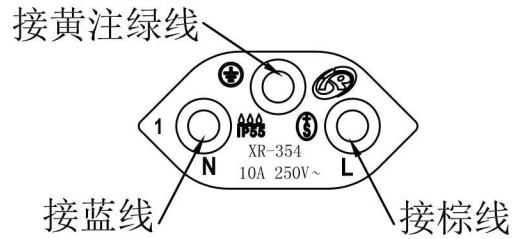
客户料号:R6672  
产品图号:

|     |     |      |     |
|-----|-----|------|-----|
| 版次  | 说 明 | 变更日期 | 变更者 |
| A/0 |     |      |     |



Conductor导体32/0.2BC  
Insulation芯线 $\Phi$ 2.55 $\pm$ 0.05MM EPDM  
(棕Brown、蓝Blue、黄注绿Yellow/Green)  
Jacket外被 $\Phi$ 7.2 $\pm$ 0.2MM 黑色Black EPR  
注绿条,比例35%以上

线材印字为油印,印字编号:BX154; wire marking:  
◁ VDE ▷ SAA-162681-EA H05RN-F 3G1.0mm<sup>2</sup> 300/500V  
GUANGDONG XIONGRUN ELECTRICAL CO.,LTD.



技术要求:requirement:  
1:耐压测试:外高压4200V/S;内高压2500V/S; 0.5MA-1.0MA  
Dielectric voltage :between jacket and conductors 4200V/S  
between conductors 2500V/S  
2:绝缘阻抗不小于100兆欧.  
Insulation resistance 100M $\Omega$ .  
3:100%导通OK.  
Continuity of lead 100% OK.  
4:符合ROHS.  
RoHS COMPLIANT.

|     |  |     |      |
|-----|--|-----|------|
| 3   | 6mm鲨鱼齿端子 splices                             | 3   | EA   |
| 2   | 瑞士IP55 10A三插头(XR-354), COLOR:黑色black, PVC    | 1   | EA   |
| 1   | H05RN-F 3G1.0mm <sup>2</sup> , COLOR:黑色black | 1   | EA   |
| NO. | DESCRIPTION                                  | QTY | UNIT |

|             |  |          |            |         |            |
|-------------|--|----------|------------|---------|------------|
| DESCRIPTION |  | DRAW NO. | XR-0672562 | UNIT    | M M        |
| PARTS NO    |  | SCALE    | NONE       | DATE    | 10/06/2022 |
| APPROVED    |  | CHECKED  |            | DRAWING | 梁静雅        |