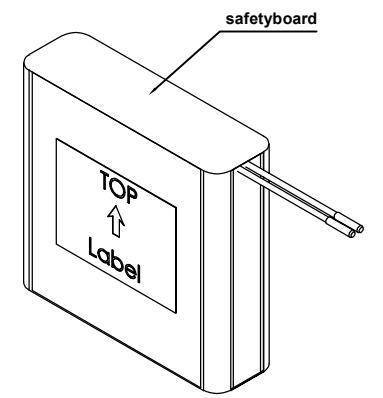
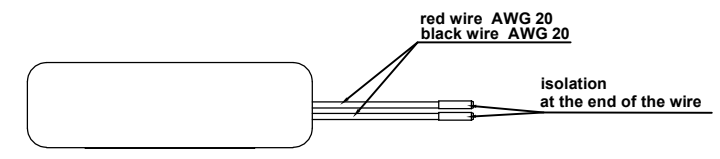
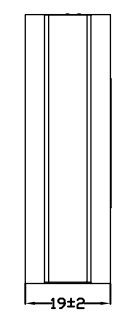
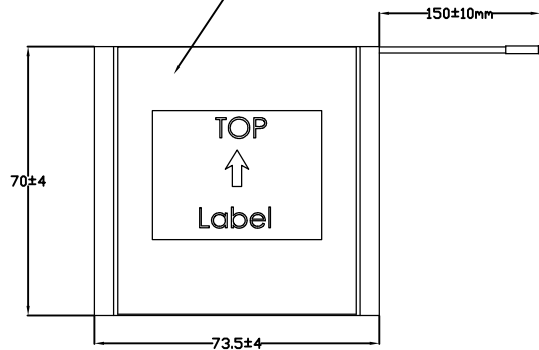


This drawing may not be copied, reproduced or made available to third parties in any way whatsoever without or prior written approval.

Technische Daten/ technical data	:	Akkupack/ Batterypack
Chemie/ chemistry	:	Lithium Ion
Zellentyp/ Cell type	:	INR18650-CQ-BAK
Zellenzahl/ no. of cells	:	4 Zellen/ cells ; 2S2P
Kapazität/ capacity	:	nom. 5100mAh discharge at 0.2C min. 5000mAh discharge at 0.2C ta:20°C; EV(Discharge End Voltage): 5.5V
Innenwiderstand/ impedance	:	-----
Nominalspannung/ nominal voltage	:	7.2V
Standard Ladespannung/ standard charge voltage	:	8.4V±1%
Standard Entladespannung/ standard discharge voltage	:	5.5V
Nominaler Ladestrom/ nominal charge current	:	0.5C
Maximaler Ladestrom/ max. charge current	:	5.1A
Ladeendstrom/ charge end current	:	0.01C recommended
Maximaler Entladestrom/ maximum discharge current	:	5.1A
Anwendungstemperaturbereich/ ambient temperature range	:	0°C...+45°C charge -20°C...+60°C discharge -20°C...+25°C storage max. 1 year -20°C...+45°C storage max. 3months
Standards/	:	UN 3480, Subsection 38.3 All cells and battery packs type tested according to UN manual of test and criteria subsection 38.3

Technische Daten/ technical data	:	Sicherheitsschaltung/ safety board
Abschaltspannung/ over charge voltage detection	:	8.56V±50mV
Wiedereinschaltspannung/ over charge release voltage	:	8.16V±100mV
Entladeabschaltspannung/ over discharge detection voltage	:	5.6V±100mV
Wiedereinschaltspannung/ over discharge release voltage	:	6.0V±100mV
Nominaler Entladestrom/ nominal discharge current	:	6.7A continuous
Entlade Abschaltstrom/ discharge cut off current	:	11.5A±2A
Kurzschlusschutz/ short circuit protection	:	gegen äußeren Kurzschluss/ against external short circuit
Temperaturschalter/ temperature switch	:	-----
Rückstellkriterium/ release condition	:	Last trennen, Aktiv nach Anladen/ cut load, release after charging up
Leiterplattenmaterial/ pcb material	:	FR4
Standards	:	CE

battery pack covered with 1 layer of blue shrinktube



Application range for inquiry		Allowable deviation general tolerances		Tolerance principle:		Model:		Material:	
		DIN ISO 2768-m		ISO 8015		Scale (DIN A2):		All dimensions in mm	
		2021		Date		Name		Weight:	
		Drawn by		23.02.		MST		Drawing name	
		Approved by						Li-Ion-7.2V-5100mAh-2s2p-CQ-BAK	
V3	updated text font	2023.05.26	HONG					Drawing number	
V2	Modify parameter remark	2022.01.13	HONG					Part number	
V1	updated parameter	2021.12.27	HONG					2447-3043-50	
V0	---	23.02.21	MST					Sheet	
Version		Change		Date		Name		Project: 710579	
								Replaced by:	
								Replacement through:	

