

The supplier acknowledges that, with the acceptance of this drawing, he is in a position to manufacture the illustrated part in accordance with the drawing in reproducible quantities. The drawing is not to be used for the production of a single part. The drawing is not to be used for the production of a single part. The drawing is not to be used for the production of a single part.

Technische Daten/ technical data : Akkupack/ batterypack
Chemie/ chemistry : Lithium Ion
Zellenzahl/ no. of cells : 3 Zellen/ cells INR18650-CQ-BAK; 1S3P
Kapazität/ capacity : nom. 7650mAh discharge at 0.2C
 min. 7500mAh discharge at 0.2C
 ta:20°C; EV(Discharge End Voltage): 2.75V per cell

Innenwiderstand/ impedance : -----
Nominalspannung/ nominal voltage : 3.6V
Standard Ladespannung/ standard charge voltage : 4.2V±1%
Standard Entladespannung/ standard discharge voltage : 2.75V
Nominaler Ladestrom/ nominal charge current : 3750mA
Maximaler Ladestrom/ maximum charge current : 7500mA
Ladeendstrom/ charge end current : 75mA
Maximaler Entladestrom/ maximum discharge current : 7.65A
Anwendungstemperaturbereich/ ambient temperature range :
 0°C...+45°C charge
 -20°C...+60°C discharge
 -20°C...+25°C storage max. 1 year
 -20°C...+45°C storage max. 3months

Selbstentladung/ self discharge :
 5% / month at20°C
 10% / month at30°C
 20% / month at40°C

Standards/ : UN 3480, Subsection 38.3
 All cells and batterypacks type tested according to UN manual of test and criteria subsection 38.3

Technische Daten/ technical data : Sicherheitschaltung/ safety board

Überladeschutzspannung/ over charge voltage detection : 4.275V±50mV per cell
Wiedereinschaltspannung/ over charge release voltage : 4.075V±55mV per cell
Entladeabschaltspannung/ over discharge detection voltage : 2.5V±100mV per cell
Wiedereinschaltspannung/ over discharge release voltage : 2.9V±100mV per cell
Nominaler Lade/Entladestrom / nominal operating current : 10.05A
Entlade Abschaltstrom/ discharge cut off current : 15.5A±3A

Kurzschlusschutz/ short circuit protection : gegen äußeren Kurzschluss/ against external short circuit
Temperaturschalter/ temperature switch : -----

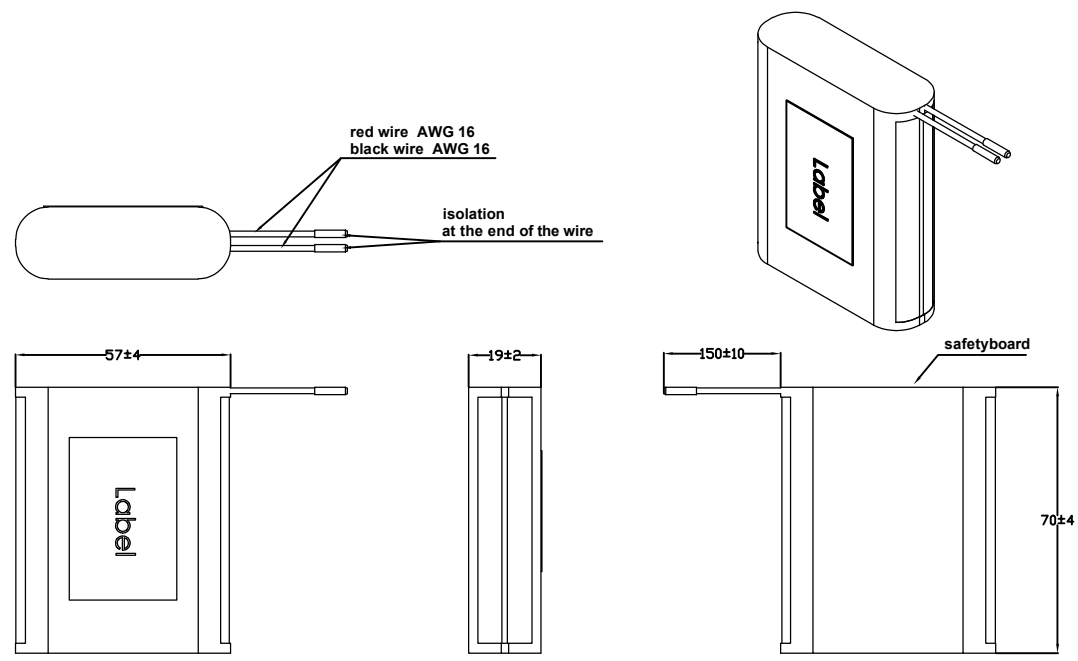
MOSFET : im Pluszweig in positive path

Rückstellkriterium/ release condition : Last trennen, Aktiv nach Aufladen/ cut load, release after charging up

Nettogewicht/ net weight : -----

Leiterplattenmaterial/ pcb material : FR4

Standards : CE



Application range for inquiry		Allowable deviation general tolerances		Tolerance principle:		Model:		Material:	
		DIN ISO 2768-m		ISO 8015		Scale (DIN A2): 1:1		All dimensions in mm	
		2021		Date		Name		Drawing name	
		Drawn by		23.02.		MST		Li-Ion-3.6V-7650mAh-1s3p-CQ-BAK	
		Approved by							
V2 updated text font		2023.05.26		HONG		Drawing number		Sheet	
V1 Add capacity information		2022.4.13		HONG		Part number		1/1	
V0		2022.3.8		HONG		2447-3034-50			
Version		Change		Date		Name		Project: 710579	
						Replaced by:		Replacement through:	