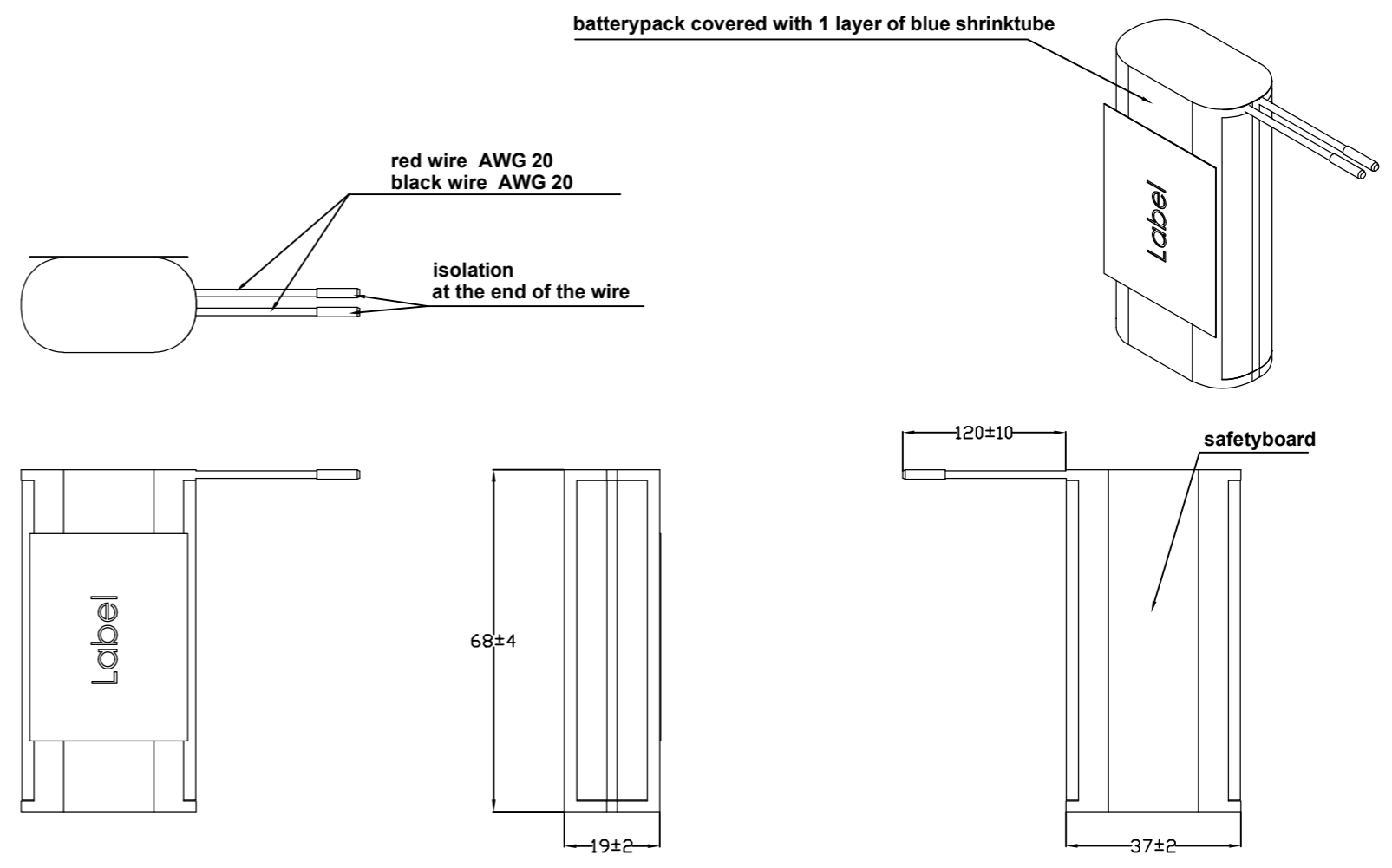


The supplier acknowledges that, with the acceptance of the drawing, he is in a position to manufacture the illustrated part in accordance with the drawing in reproducible form and series production. Through the selected manufacturing processes no impairments will arise in the material and structure which could subsequently lead to an impairment of the component. Verbal agreements over and above that are not valid. Deviations from this rule must be written and must be signed by the purchaser.

Technische Daten/ technical data	:	Akkupack/ battery pack
Chemie/ chemistry	:	Li-Ion
Zellenzahl/ no. of cells	:	2 Zellen/ cells 18650 1S2P-CQ-BAK
Kapazität/ capacity	:	nom. 5100mAh discharge at 0.2C min. 5000mAh discharge at 0.2C ta:20°C; EV(Discharge End Voltage): 2.75V
		C=min capacity
Innenwiderstand/ impedance	:	-----
Nominalspannung/ nominal voltage	:	3.6V
Standard Ladespannung/ standard charge voltage	:	4.2V±1%
Standard Entladespannung/ standard discharge voltage	:	2.75V
Nominaler Ladestrom/ nominal charge current	:	0.5C
Maximaler Ladestrom/ maximum charge current	:	5.0A
Ladeendstrom/ charge end current	:	0.01C recommended
Maximaler Entladestrom/ maximum discharge current	:	5.1A
Anwendungstemperaturbereich/ ambient temperature range	:	0°C...+45°C charge -20°C...+60°C discharge -20°C...+30°C storage max. 1 year -20°C...+45°C storage max. 3months
Selbstentladung/ self discharge	:	≤ 5% / month at20°C ≤ 10% / month at30°C ≤ 20% / month at40°C
Standards/	:	UN 3480, Subsection 38.3 All cells and battery packs type tested according to UN manual of test and criteria subsection 38.3



Technische Daten/ technical data	:	Sicherheitsschaltung/ safety board
Überladeschutzspannung/ over charge voltage detection	:	4.275V±50mV per cell
Wiedereinschaltspannung/ over charge release voltage	:	4.075V±65mV per cell
Entladeabschaltspannung/ over discharge detection voltage	:	2.5V±100mV per cell
Wiedereinschaltspannung/ over discharge release voltage	:	2.9V±100mV per cell
Nominaler Lade/Entladestrom/ nominal operating current	:	6.7A
Entlade Abschaltstrom/ discharge cut off current	:	11A ± 3A
Kurzschlusschutz/ short circuit protection	:	gegen äußeren Kurzschluss/ against external short circuit
Temperaturumschalter/ temperature switch	:	---
MOSFET	:	in Masse in Gnd
Rückstellkriterium/ release condition	:	Last trennen, Aktiv nach Anladen/ cut load, release after charging up
Nettogewicht/ net weight	:	-----
Leiterplattenmaterial/ pcb material	:	FR4
Standards	:	CE

Application range for inquiry				Allowable deviation general tolerances		Tolerance principle:		Model:		Material:	
				DIN ISO 2768-m		ISO 8015		Scale (DIN A2): 1:1		All dimensions in mm	
				2013		Date		Name		Drawing name	
				Drawn by		17.05.		JE		Li-Ion Battery 3.6V 5100mAh-CQ-BAK	
V6 updated text font				2023.05.26		HONG		Approved by			
V5 modify discharge cut off current				2022.10.28		HONG					
V4 Add capacity information				2022.04.13		HONG					
V3 updated current parameter				2022.01.13		HONG					
V2 updated parameter				2022.01.11		HONG					
V1 change request: DE-15-0022				23.05.17		JE					
Version				Change		Date		Name		Project: 710579	
								Drawing number		Sheet	
								Part number		1/1	
								2447-3033-50			
								Replaced by:		Replacement through:	

This drawing may not be copied, reproduced or made available to third parties in any way whatsoever without or prior written approval.