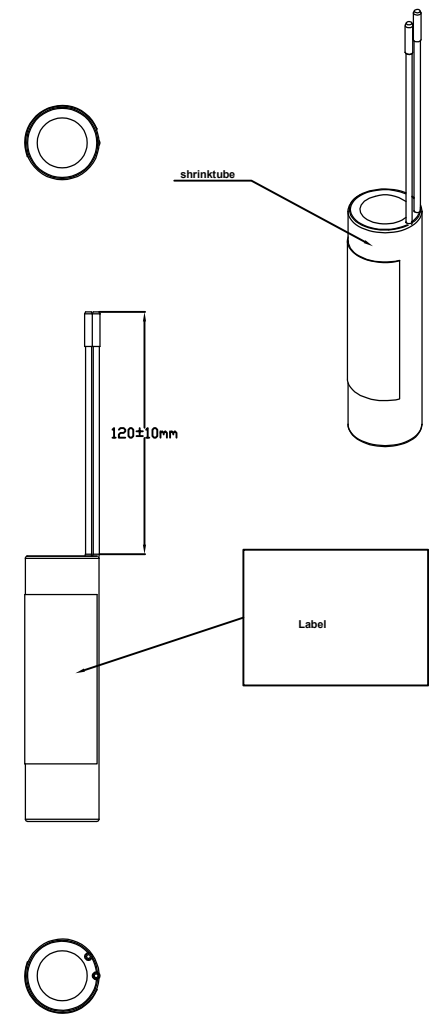
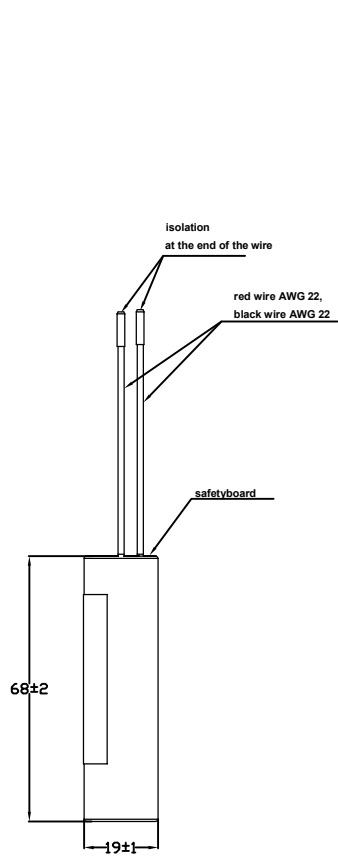


This drawing may not be copied, reproduced or made available to third parties in any way whatsoever without our prior written approval.

Technische Daten/ technical data	:	Akku/ battery
Chemie/ chemistry	:	Li-Ion
Zellenzahl/ no. of cells	:	1 Zelle/ cell INR18650-CQ-bu/BAK
Kapazität/ capacity	:	nom. 2550mAh discharge at 0.2C min. 2500mAh discharge at 0.2C ta:20°C; EV(Discharge End Voltage): 2.75V per cell C=min capacity
Innenwiderstand/ impedance	:	-----
Nominalspannung/ nominal voltage	:	3.6V
Standard Ladespannung/ standard charge voltage	:	4.2V±1%
Standard Entladespannung/ standard discharge voltage	:	2.75V
Nominaler Ladestrom/ nominal charge current	:	0.5C
Maximaler Ladestrom/ maximum charge current	:	1C
Ladeendstrom/ charge end current	:	0.01C recommended
Maximaler Entladestrom/ maximum discharge current	:	2.55A
Anwendungstemperaturbereich/ ambient temperature range	:	0°C...+45°C charge -20°C...+60°C discharge -20°C...+25°C storage max. 1 year -20°C...+45°C storage max. 3months
Selbstentladung/ self discharge	:	≤ 5% / month at20°C ≤ 10% / month at30°C ≤ 20% / month at40°C
Standards/	:	UN 3480, Subsection 38.3 All cells and batterypacks type tested according to UN manual of test and criteria subsection 38.3
Technische Daten/ technical data	:	Sicherheitsschaltung/ safety board
Überladeschutzspannung/ over charge voltage detection	:	4.275V±50mV
Wiedereinschaltspannung/ over charge release voltage	:	4.075V±65mV
Entladeabschaltspannung/ over discharge detection voltage	:	2.5V±100mV
Wiedereinschaltspannung/ over discharge release voltage	:	2.9V±100mV
Nominaler Lade/Entladestrom/ nominal operating current	:	3.35A
Entlade Abschaltstrom/ discharge cut off current	:	5A±1A
Kurzschlusschutz/ short circuit protection	:	gegen äußeren Kurzschluss/ against external short circuit
Temperaturerhalter/ temperature switch	:	PTC: SMD1210-500L-12; 12V/5A at 25°C ; 4.40A at 40°C
MOSFET	:	in Masse in Gnd
Rückstellkriterium/ release condition	:	Last trennen, Aktiv nach Anladen/ cut load, release after charging up
Nettogewicht/ net weight	:	-----
Leiterplattenmaterial/ pcb material	:	FR4
Standards	:	CE



Application range for inquiry		Allowable deviation general tolerances		Tolerance principle:		Model:		Material:	
		DIN ISO 2768-m		ISO 8015		Scale (DIN A2):		All dimensions in mm	
		2021		Date		Name		Weight:	
		Drawn by		23.02.		MST		Drawing name	
		Approved by						Li-Ion-3.6V-2550mAh-1s1p-CQ-BAK	
V4	updated text font	2023.05.26	HONG					Drawing number	
V3	Modify parameter remark	2022.03.03	HONG					Part number	
V2	Modify parameter remark	2022.01.13	HONG					2347-3008-50	
V1	updated parameter	2021.12.27	HONG					Sheet	
V0	---	23.02.21	MST					1/1	
Version		Change		Date		Name		Project: 710579	
								Replaced by:	
								Replacement through:	