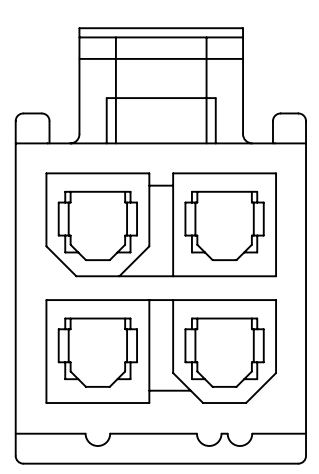


PART NUMBER	ENG. NUMBER	MATERIAL (SEE NOTE 1)
39-01-3028	5557-02R1-210	94V-0
39-01-3048	5557-04R1-210	94V-0
39-01-3022	5557-02R1	94V-2
39-01-3042	5557-04R1	94V-2
39-01-6026	5557-02R1-BL	94V-2, BLACK
NO E.D.P.	5557-04R1-BL	94V-2, BLACK

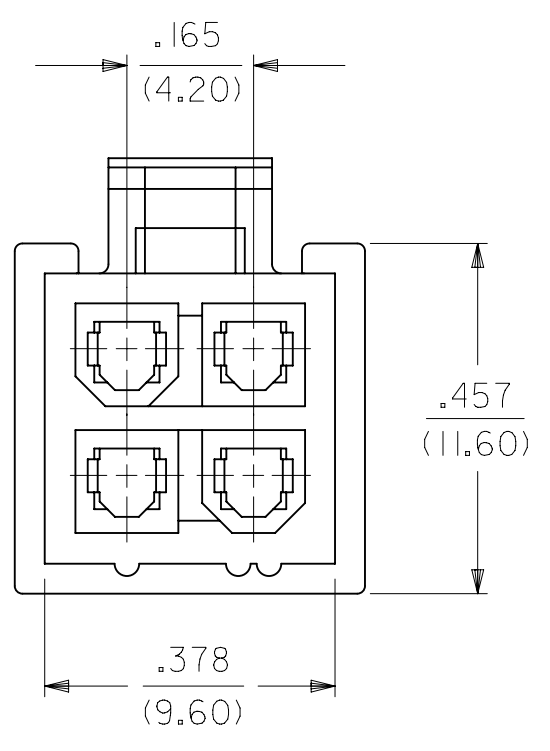
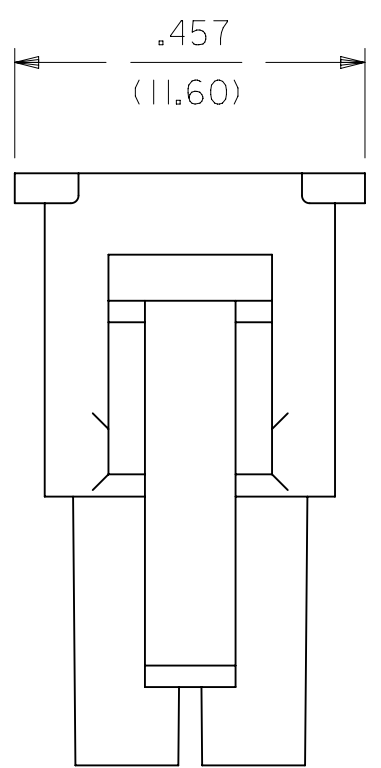
LEGEND:

5557-*** R1-****

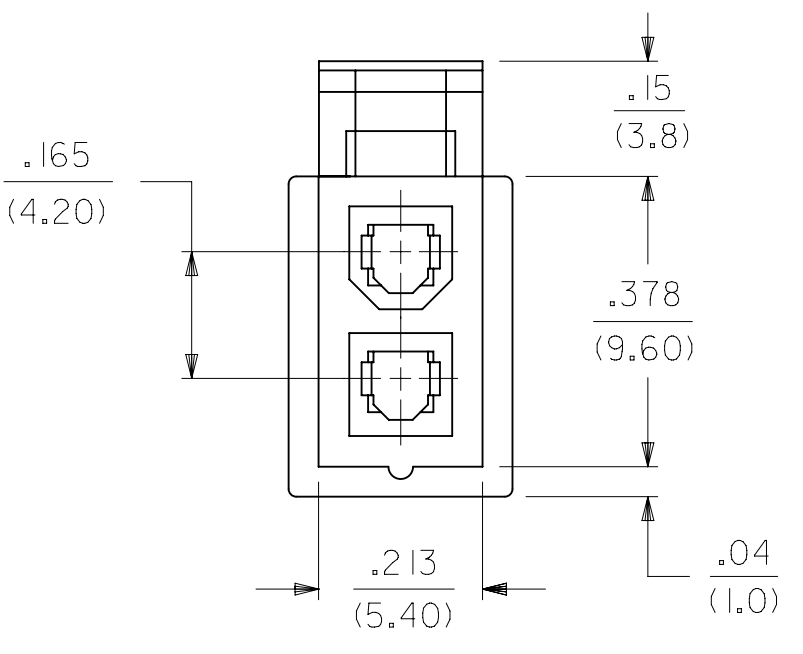
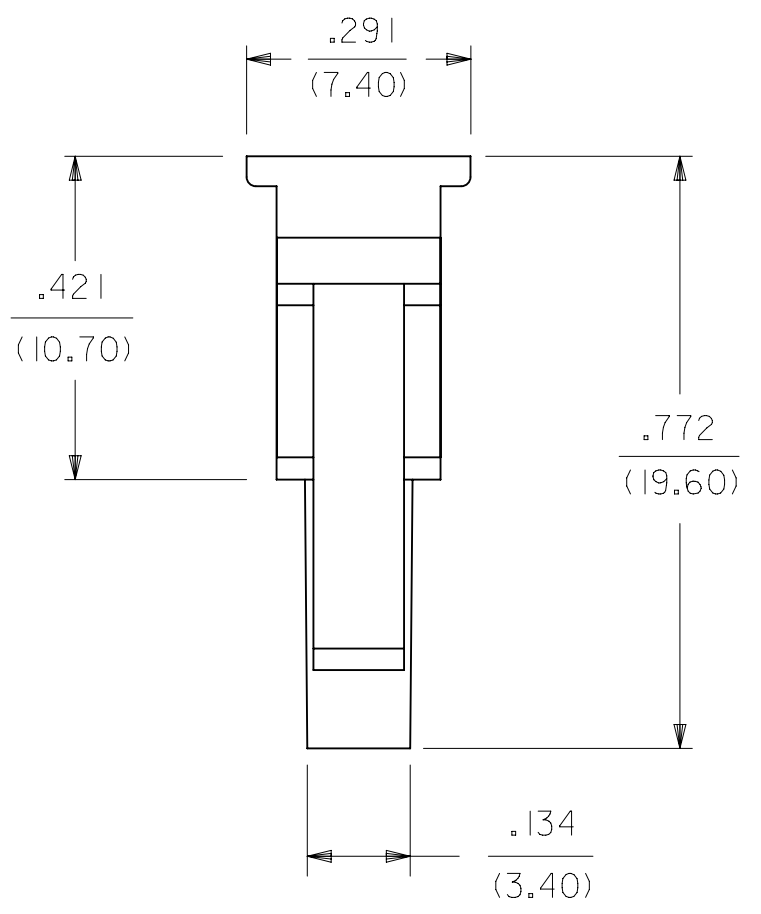
BASE NUMBER
 CKT. SIZE
 RECEPTACLE
 (WITH SIDE PULL TABS)
 MATERIAL OPTION:
 (SEE NOTE 1)



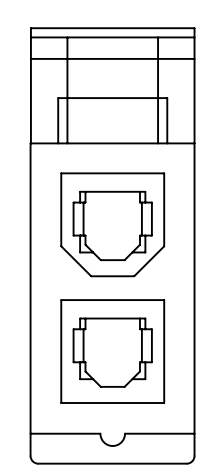
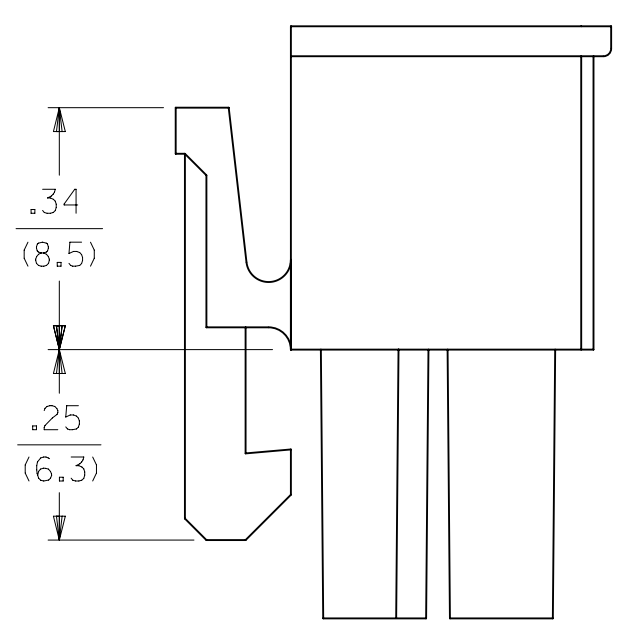
5557-04R-***
 (WITHOUT SIDE PULL TABS)
 (SHOWN FOR REFERENCE ONLY)



5557-04R1-***



5557-02R1-***



5557-02R-***
 (WITHOUT SIDE PULL TABS)
 (SHOWN FOR REFERENCE ONLY)

NOTES:

- MATERIAL:
 "BLANK" = NYLON 6/6, U.L. 94V-2. COLOR: NATURAL.
 "210" = NYLON 6/6, U.L. 94V-0. COLOR: NATURAL.
 "BL" = NYLON 6/6, U.L. 94V-2. COLOR: BLACK.
- FINISH: NOT APPLICABLE
- PRODUCT SPECIFICATION: PS-5556-001.
- PARTS TO BE PACKAGED PER PK-5557-002
- PART MATES WITH MOLEX PLUG #5559.
- PART IS FOR USE WITH MOLEX FEMALE TERMINAL #5556.
- PART IS NOT DESIGNED FOR CURRENT SHARING.
- CONNECTORS ARE NOT TO BE MATED OR UNMATED WHILE CIRCUITS ARE LIVE.
- WIRES ARE TO BE DRESSED IN SUCH A MANNER TO ALLOW THE TERMINALS TO FLOAT FREELY IN THE POCKET.
- PART CONFORMS TO CLASS "B" REQUIREMENTS OF COSMETIC SPECIFICATION PS-45499-002.
- BUBBLE IS ACCEPTABLE ON LATCH AREA.

THIS DRAWING CONTAINS INFORMATION THAT IS PROPRIETARY TO MOLEX ELECTRONIC TECHNOLOGIES, LLC AND SHOULD NOT BE USED WITHOUT WRITTEN PERMISSION

DIMENSION UNITS		SCALE		CURRENT REV DESC:	
INCH	NTS				
GENERAL TOLERANCES (UNLESS SPECIFIED)					
	MM	INCH			
4 PLACES	±	±			
3 PLACES	±	± 0.015			
2 PLACES	± 0.38	± 0.015			
1 PLACE	± 0.38	±			
0 PLACES	±	±			
ANGULAR TOL	± 0.5°				
DRAFT WHERE APPLICABLE MUST REMAIN WITHIN DIMENSIONS		THIRD ANGLE PROJECTION		DRAWING	SERIES
				C-SIZE	5557
EC NO: 719028					
DRWN: JERRYW8 2022/08/22					
CHK'D: XQZHANG 2022/09/01					
APPR: XQZHANG 2022/09/01					
INITIAL REVISION:					
DRWN: GEP 1990/08/08					
APPR: FSMITH 2012/05/04					
DOCUMENT NUMBER		DOC TYPE	DOC PART	REVISION	
55570001-SD		PSD	000	A1	
MATERIAL NUMBER		CUSTOMER		SHEET NUMBER	
SEE CHART		GENERAL MARKET		1 OF 1	

THIS DRAWING REPLACES DRAWING SD-5557-04R1-***