

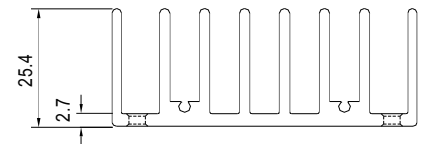
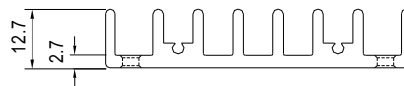
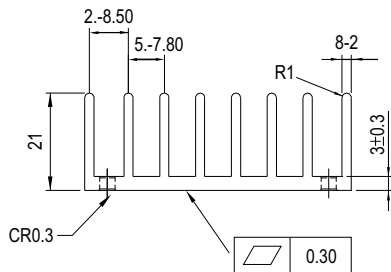
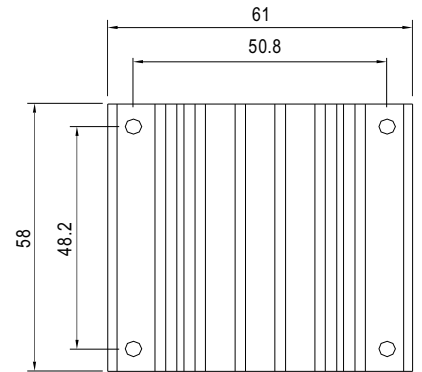
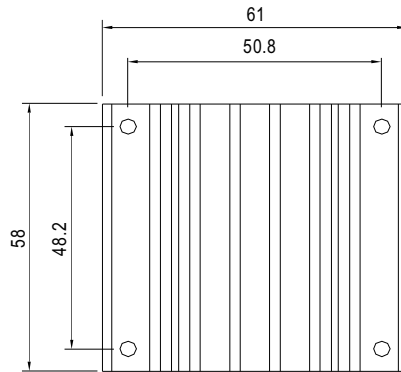
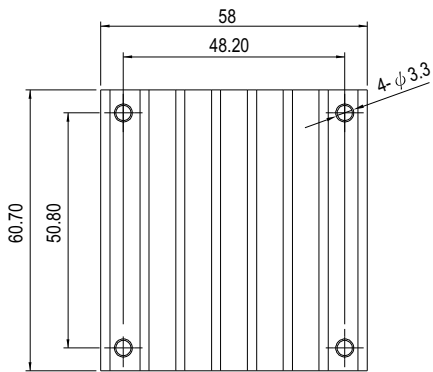
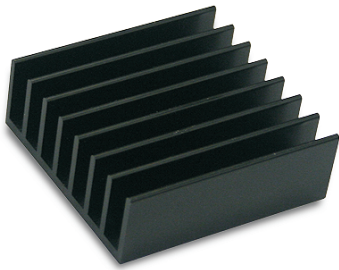
■ Case Heat Sink (Optional)

Unit:mm

Model No.: M-C308 (Vertical Fins)

Model No.: M-C091(Horizontal Fins)

Model No.: M-C092 (Horizontal Fins)



Rca:

- 3.90°C/W (typ.), at natural convection
- 1.74°C/W (typ.), at 100ft./min.(LFM)
- 1.33°C/W (typ.), at 200ft./min.(LFM)
- 1.12°C/W (typ.), at 300ft./min.(LFM)
- 0.97°C/W (typ.), at 400ft./min.(LFM)

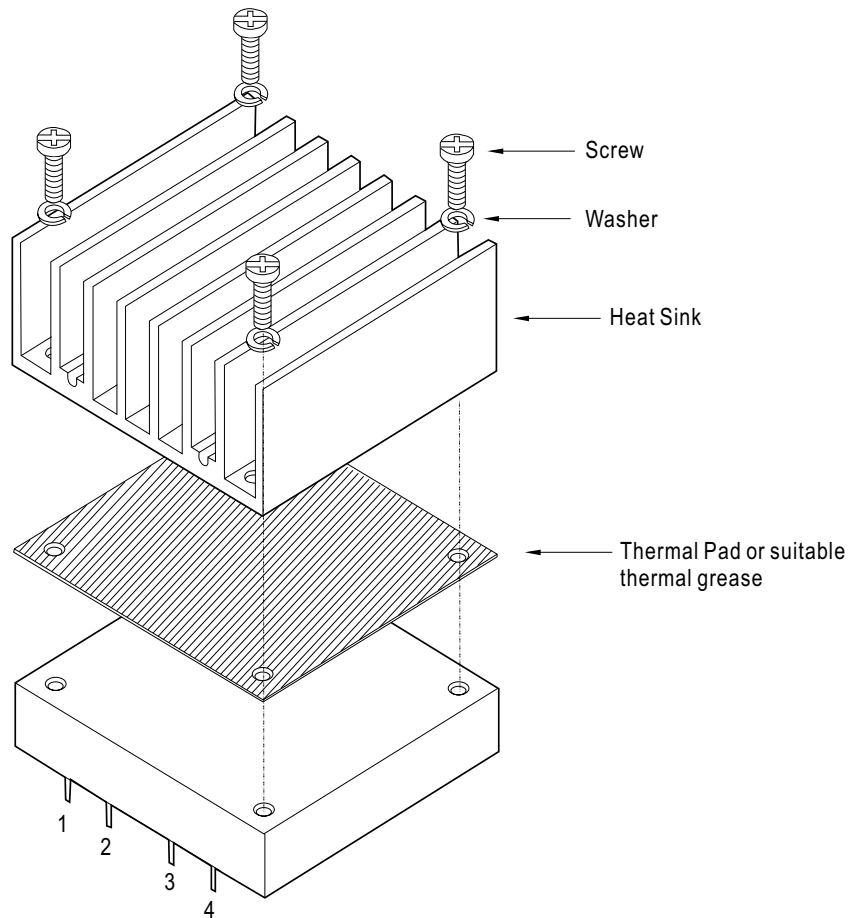
Rca:

- 4.70°C/W (typ.), at natural convection
- 2.89°C/W (typ.), at 100ft./min.(LFM)
- 2.30°C/W (typ.), at 200ft./min.(LFM)
- 1.88°C/W (typ.), at 300ft./min.(LFM)
- 1.59°C/W (typ.), at 400ft./min.(LFM)

Rca:

- 3.00°C/W (typ.), at natural convection
- 1.44°C/W (typ.), at 100ft./min.(LFM)
- 1.17°C/W (typ.), at 200ft./min.(LFM)
- 1.04°C/W (typ.), at 300ft./min.(LFM)
- 0.95°C/W (typ.), at 400ft./min.(LFM)

Heatsink Assembly



Heat Sink Order No.:

M-C308

M-C091

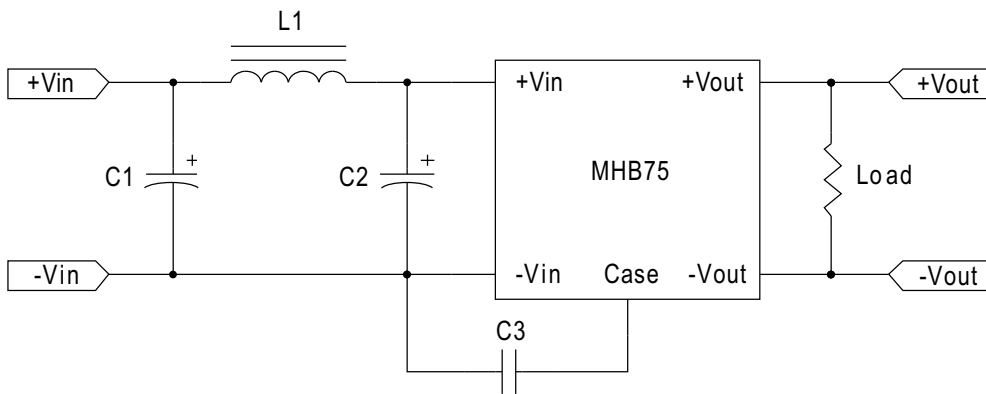
M-C092

Thermal Pad: 56.9x60x0.25mm

Screw: SMP+SW M3x8L

EMC Suggestion Circuit

※Required external components to meet EN55022 class A conducted emission are as below:



Model No.	C1	C2	C3	L1
MHB75-12S□	100uF/50V ESR<0.33Ω	100uF/50V ESR<0.33Ω	1000pF	1.5uH
MHB75-24S□	100uF/50V ESR<0.33Ω	100uF/50V ESR<0.33Ω	1000pF	1.5uH
MHB75-48S□	33uF/100V ESR<0.46Ω	33uF/100V ESR<0.46Ω	2200pF	8.3uH

□=05,12,24

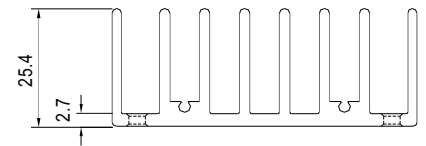
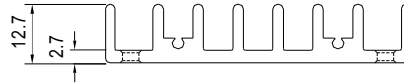
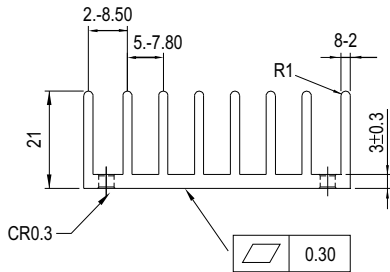
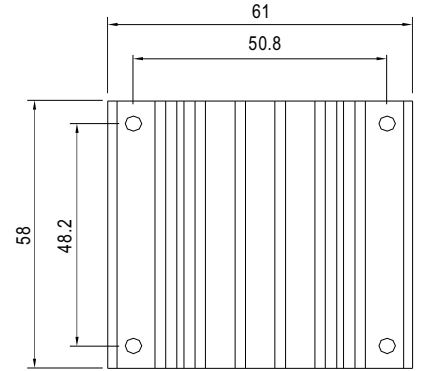
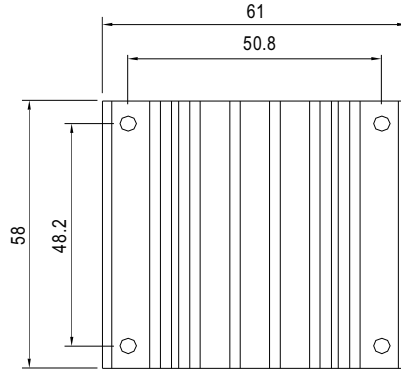
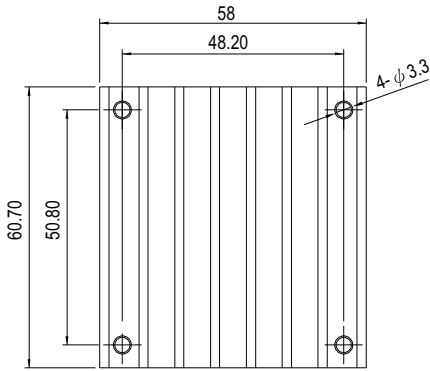
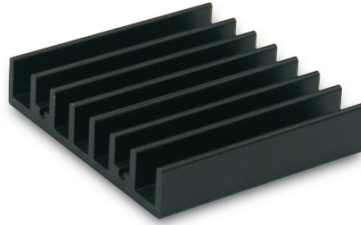
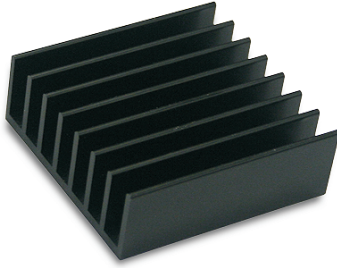
■ Case Heat Sink (Optional)

Unit:mm

Model No.: M-C308 (Vertical Fins)

Model No.: M-C091(Horizontal Fins)

Model No.: M-C092 (Horizontal Fins)

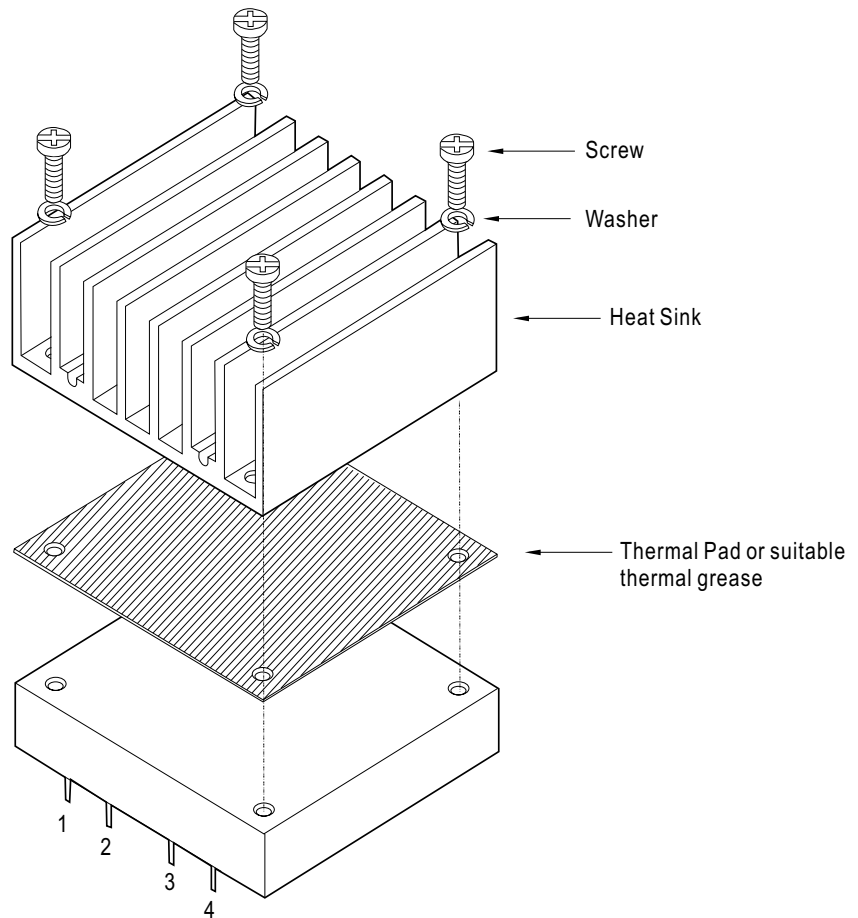


- Rca:**
 3.90°C/W (typ.), at natural convection
 1.74°C/W (typ.), at 100ft./min.(LFM)
 1.33°C/W (typ.), at 200ft./min.(LFM)
 1.12°C/W (typ.), at 300ft./min.(LFM)
 0.97°C/W (typ.), at 400ft./min.(LFM)

- Rca:**
 4.70°C/W (typ.), at natural convection
 2.89°C/W (typ.), at 100ft./min.(LFM)
 2.30°C/W (typ.), at 200ft./min.(LFM)
 1.88°C/W (typ.), at 300ft./min.(LFM)
 1.59°C/W (typ.), at 400ft./min.(LFM)

- Rca:**
 3.00°C/W (typ.), at natural convection
 1.44°C/W (typ.), at 100ft./min.(LFM)
 1.17°C/W (typ.), at 200ft./min.(LFM)
 1.04°C/W (typ.), at 300ft./min.(LFM)
 0.95°C/W (typ.), at 400ft./min.(LFM)

Heatsink Assembly



Heat Sink Order No.:

M-C308

M-C091

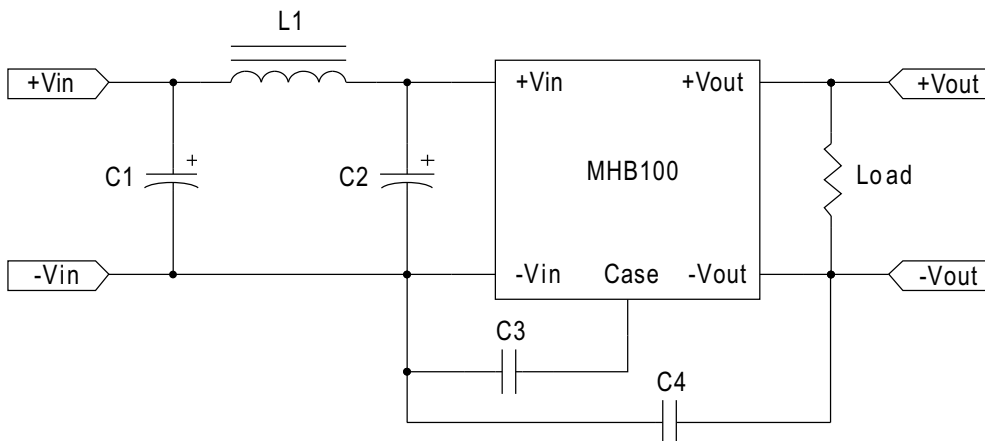
M-C092

Thermal Pad: 56.9x60x0.25mm

Screw: SMP+SW M3x8L

EMC Suggestion Circuit

※Required external components to meet EN55022 class A conducted emission are as below:



Model No.	C1	C2	C3	C4	L1
MHB100-24S□	220uF/50V ESR<0.13Ω	220uF/50V ESR<0.13Ω	2200pF	N.C	3.4uH
MHB100-48S□	47uF/100V ESR<0.17Ω	47uF/100V ESR<0.17Ω	1000pF	1000pF	3.4uH

□=05,12,24

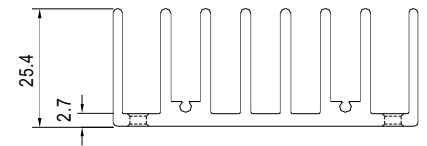
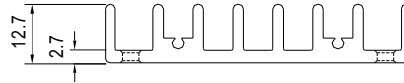
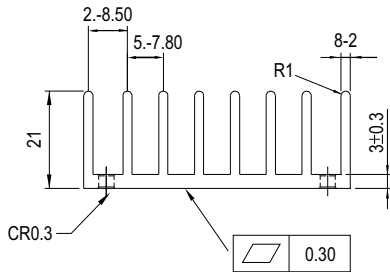
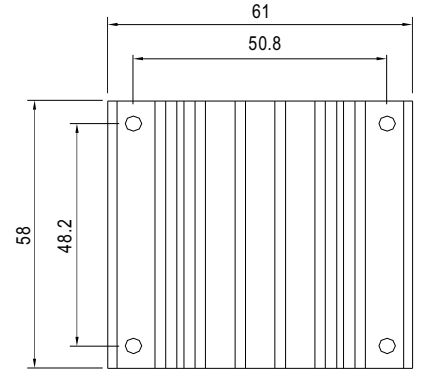
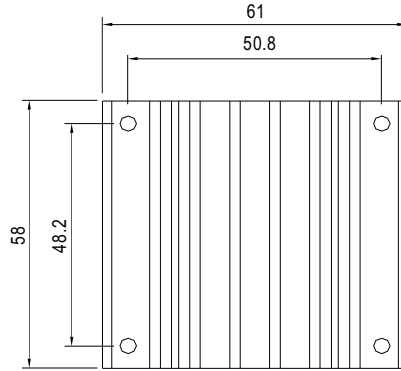
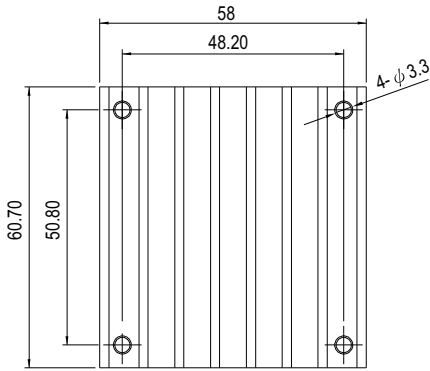
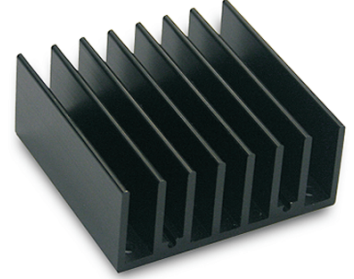
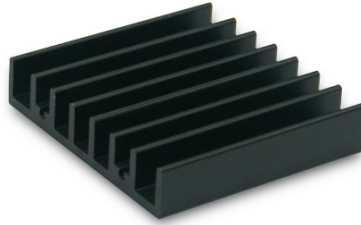
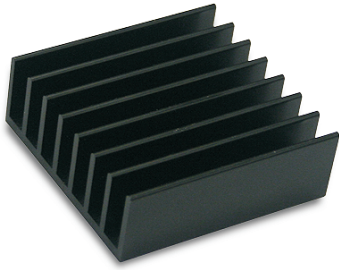
■ Case Heat Sink (Optional)

Unit:mm

Model No.: M-C308 (Vertical Fins)

Model No.: M-C091(Horizontal Fins)

Model No.: M-C092 (Horizontal Fins)

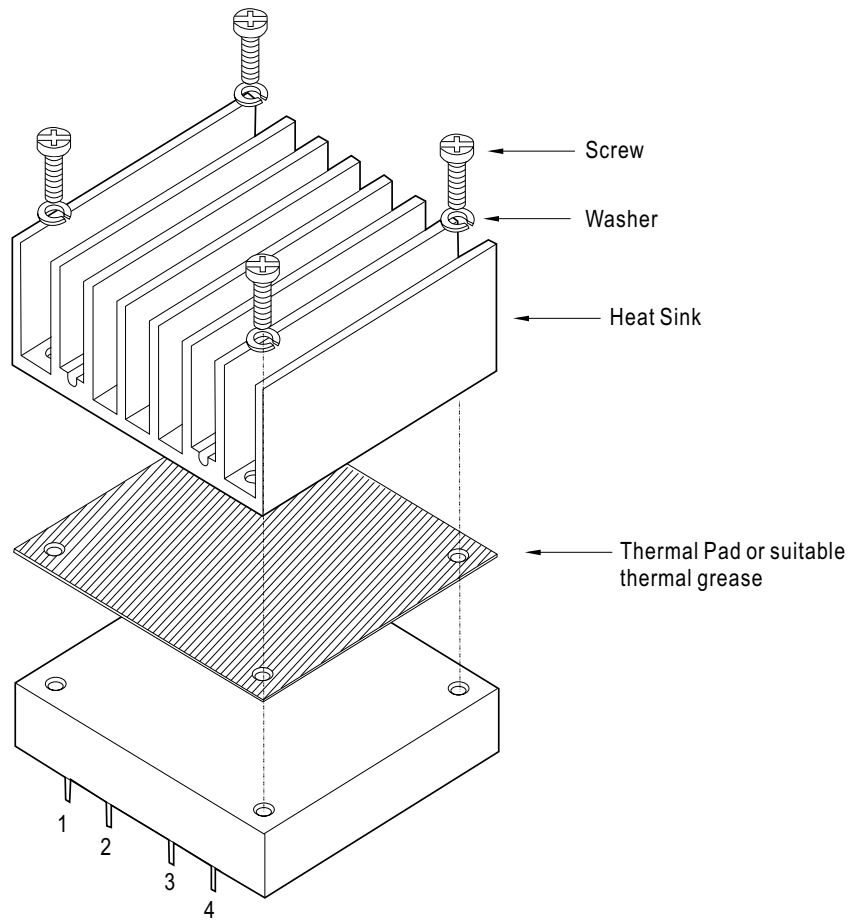


- Rca:**
 3.90°C/W (typ.), at natural convection
 1.74°C/W (typ.), at 100ft./min.(LFM)
 1.33°C/W (typ.), at 200ft./min.(LFM)
 1.12°C/W (typ.), at 300ft./min.(LFM)
 0.97°C/W (typ.), at 400ft./min.(LFM)

- Rca:**
 4.70°C/W (typ.), at natural convection
 2.89°C/W (typ.), at 100ft./min.(LFM)
 2.30°C/W (typ.), at 200ft./min.(LFM)
 1.88°C/W (typ.), at 300ft./min.(LFM)
 1.59°C/W (typ.), at 400ft./min.(LFM)

- Rca:**
 3.00°C/W (typ.), at natural convection
 1.44°C/W (typ.), at 100ft./min.(LFM)
 1.17°C/W (typ.), at 200ft./min.(LFM)
 1.04°C/W (typ.), at 300ft./min.(LFM)
 0.95°C/W (typ.), at 400ft./min.(LFM)

■ Heatsink Assembly



Heat Sink Order No.:

M-C308

M-C091

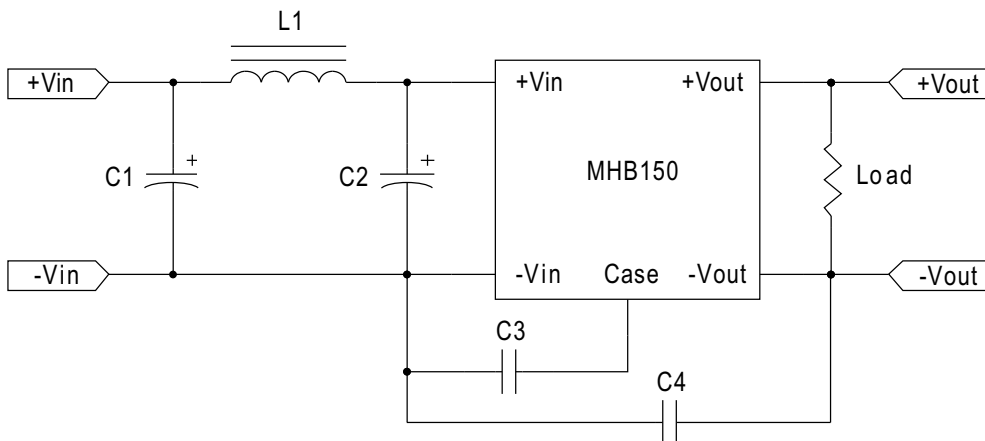
M-C092

Thermal Pad: 56.9x60x0.25mm

Screw: SMP+SW M3x8L

■ EMC Suggestion Circuit

※Required external components to meet EN55022 class A conducted emission are as below:



Model No.	C1	C2	C3	C4	L1
MHB150-48S□	47uF/100V ESR<0.17Ω	47uF/100V ESR<0.17Ω	1000pF	1000pF	3.4uH

□=05,12,24