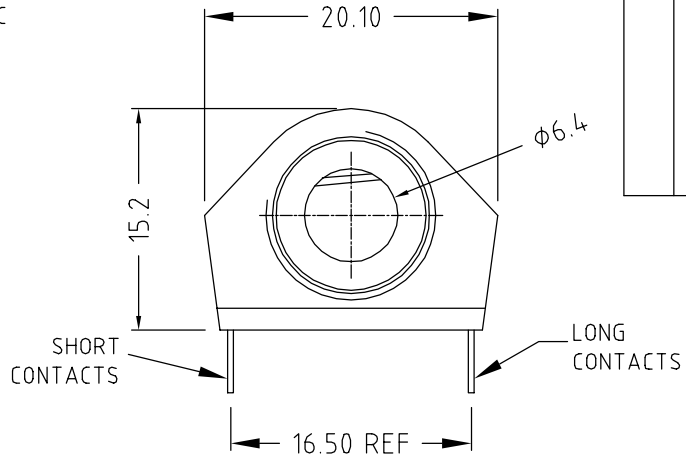
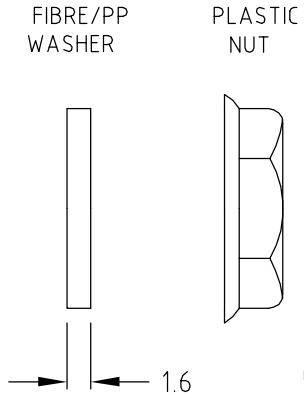
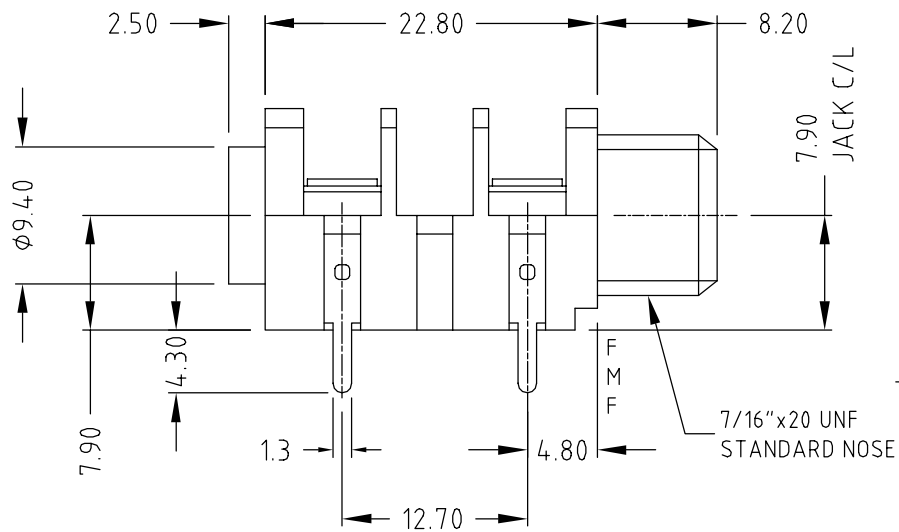
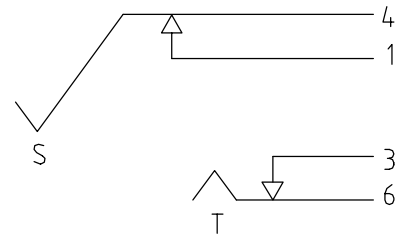


ISS.	AMEND	DATE
1	ISSUED	10/10/2016

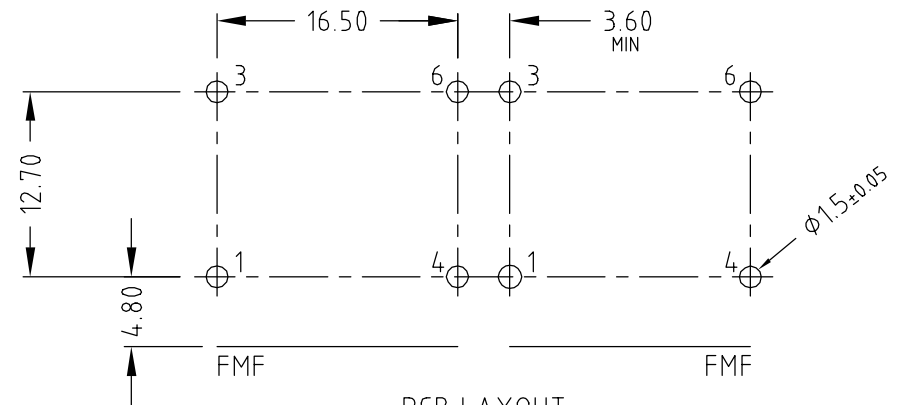


- NOTES:-
- 1) NUT & WASHER SUPPLIED UNASSEMBLED BULK PACKED.
  - 2) MAXIMUM PANEL THICKNESS: 4.6mm.

SCHEMATIC



MONO (BNB) JACK  
 SWITCH CONTACTS OPEN WHEN  
 PLUG IS INSERTED + CLOSE  
 WHEN PLUG IS WITHDRAWN.



PCB LAYOUT  
 VIEWED FROM COMPONENT (TOP) SIDE

<b>RoHS</b> COMPLIANT
<b>TOLERANCE</b>
NO DEC. PLACE ±
1 DEC. PLACE ±
2 DEC. PLACE ±
HOLE Ø ±
ANGLES ±
UNLESS OTHERWISE STATED
DO NOT SCALE

**Cliff Electronic Components Ltd.**  
 76 Holmethorpe Avenue, Holmethorpe Industrial Estate,  
 Redhill, Surrey, RH1 2PF, England, UK  
 Tel: 01737-771375 Fax: 01737-766012 Website: www.cliffuk.co.uk

DIMENSIONS IN MILLIMETERS UNLESS OTHERWISE STATED. WORK TO DIMENSIONS. REMOVE ALL BURRS. IF IN DOUBT ASK.

ANGLE PROJECTION:

MATERIAL: NYLON / NIAG / FIBRE / PP  
 FINISH: AS MOULDED / MICROFINISH

TITLE: S2/BNB/PC-C/MNW UNASSEMBLED

THE CONTENTS OF THIS DOCUMENT MUST NOT BE COPIED OR DISCLOSED TO A 3rd PARTY WITHOUT WRITTEN PERMISSION OF CLIFF UK. © 1991

DRAWN: NJB

APPROVED: DPJ

DRWG. No. **CL 1166U**

FORM: A4DRWGH