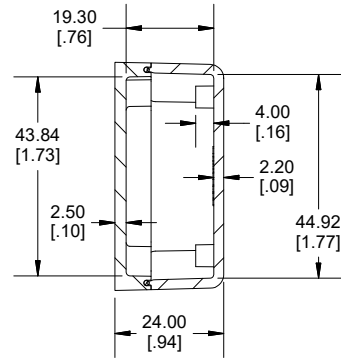
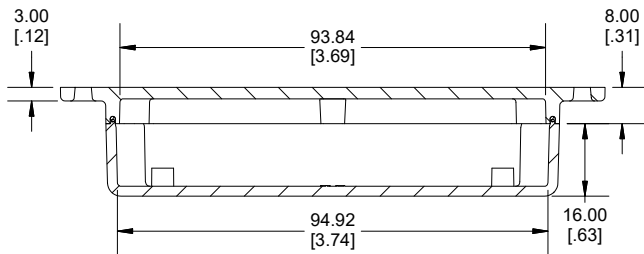
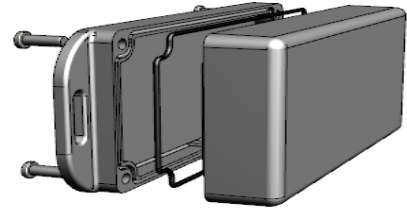


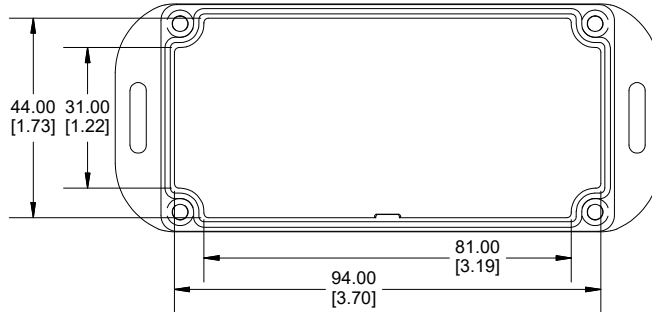
TOP VIEW



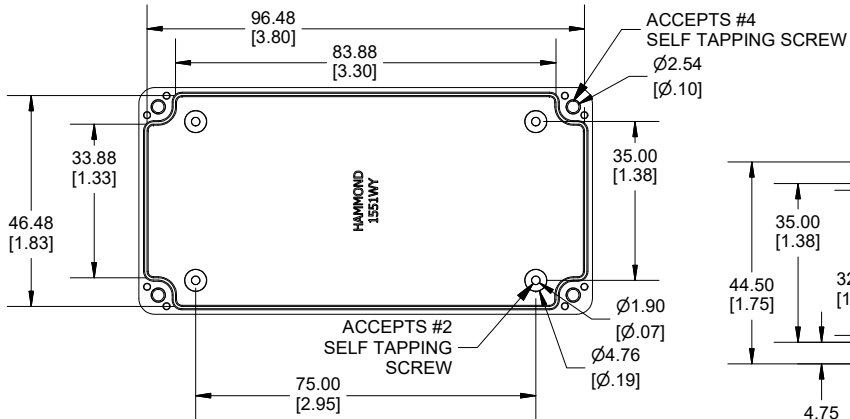
SECTION A-A  
END VIEW



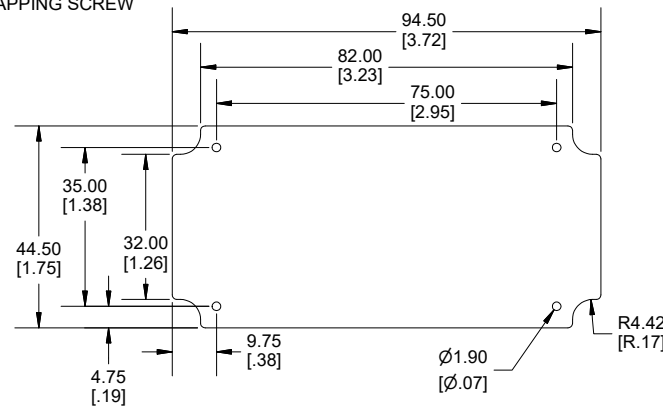
SECTION B-B  
SIDE VIEW



INSIDE LID



BOTTOM VIEW

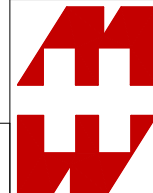


MAXIMUM  
P. C. BOARD

Dimensions:  
mm  
[inches]

Enclosures can be Factory Modified (Milling, Drilling, Printing etc.)  
Contact Factory (modshop@hammfg.com) for quotes  
Solid models of this enclosure available in .stp or .x\_t  
(Part number and text placement/orientation on our products are subject to change,  
we do not recommend using them as a locating reference for modification purposes)

NOTE	
Purchased assembly includes box, lid, gasket, 4 cover screws. Polycarbonate material is rated UL94 - V0	
Recommended Torque : #4 Cover screw (71-100) Ozf.in / (50-70) cN.m	
Recommended Torque : #2 Internal screws (21-28) Ozf.in / (15-20) cN.m	
PART NUMBERS	
1551WYFL Enclosure	
Polycarbonate Black Enclosure	1551WYFLBK
Polycarbonate Gray Enclosure	1551WYFLGY
ACCESSORIES	
Internal Mounting Post Screw [#2 x 3/16" Plastite Self-tapping (4.8mm)]	1553WTS100 (Pkg 100)
Stainless Steel Cover Screws [#4 X 3/8" Plastite Self-tapping (9.5mm)]	SC509-50 (Pkg 50)



HAMMOND  
MANUFACTURING®

1551WYFL

www.hammondmfg.com