

International  
**IR** Rectifier

# 30BQ060PbF

## SCHOTTKY RECTIFIER

## 3 Amp

$$I_{F(AV)} = 3.0\text{Amp}$$

$$V_R = 60\text{V}$$

### Major Ratings and Characteristics

Characteristics	Value	Units
$I_{F(AV)}$ Rectangular waveform	3.0	A
$V_{RRM}$	60	V
$I_{FSM}$ @ $t_p = 5\mu\text{s}$ sine	1200	A
$V_F$ @ 3.0 Apk, $T_J = 125^\circ\text{C}$	0.52	V
$T_J$ range	- 55 to 150	$^\circ\text{C}$

### Description/ Features

The 30BQ060PbF surface-mount Schottky rectifier has been designed for applications requiring low forward drop and small foot prints on PC boards. Typical applications are in disk drives, switching power supplies, converters, free-wheeling diodes, battery charging, and reverse battery protection.

- Small foot print, surface mountable
- Very low forward voltage drop
- High frequency operation
- Guard ring for enhanced ruggedness and long term reliability
- Lead-Free ("PbF" suffix)

### Case Styles

30BQ060PbF



SMC



## Voltage Ratings

Part number	30BQ060PbF
V <sub>R</sub> Max. DC Reverse Voltage (V)	60
V <sub>RWM</sub> Max. Working Peak Reverse Voltage (V)	

## Absolute Maximum Ratings

Parameters	30BQ	Units	Conditions
I <sub>F(AV)</sub> Max. Average Forward Current	3.0	A	50% duty cycle @ T <sub>L</sub> = 123 °C, rectangular wave form
	4.0		50% duty cycle @ T <sub>L</sub> = 113 °C, rectangular wave form
I <sub>FSM</sub> Max. Peak One Cycle Non-Repetitive Surge Current @ T <sub>C</sub> = 25°C	1200	A	5µs Sine or 3µs Rect. pulse
	130		10ms Sine or 6ms Rect. pulse
E <sub>AS</sub> Non Repetitive Avalanche Energy	5.0	mJ	T <sub>J</sub> = 25 °C, I <sub>AS</sub> = 1.0A, L = 10mH
I <sub>AR</sub> Repetitive Avalanche Current	1.0	A	Current decaying linearly to zero in 1 µsec Frequency limited by T <sub>J</sub> max. Va = 1.5 x Vr typical

## Electrical Specifications

Parameters	30BQ	Units	Conditions
V <sub>FM</sub> Max. Forward Voltage Drop (1)	0.58	V	@ 3A
	0.76	V	@ 6A
	0.52	V	@ 3A
	0.66	V	@ 6A
I <sub>RM</sub> Max. Reverse Leakage Current (1)	0.5	mA	T <sub>J</sub> = 25 °C
	20	mA	T <sub>J</sub> = 125 °C
C <sub>T</sub> Max. Junction Capacitance	180	pF	V <sub>R</sub> = 5V <sub>DC</sub> (test signal range 100KHz to 1Mhz) 25°C
L <sub>S</sub> Typical Series Inductance	3.0	nH	Measured lead to lead 5mm from package body
dv/dt Max. Voltage Rate of Change	10000	V/µs	(Rated V <sub>R</sub> )

(1) Pulse Width &lt; 300µs, Duty Cycle &lt; 2%

## Thermal-Mechanical Specifications

Parameters	30BQ	Units	Conditions
T <sub>J</sub> Max. Junction Temperature Range (*)	-55 to 150	°C	
T <sub>stg</sub> Max. Storage Temperature Range	-55 to 150	°C	
R <sub>thJL</sub> Max. Thermal Resistance Junction to Lead (**)	12	°C/W	DC operation
R <sub>thJA</sub> Max. Thermal Resistance Junction to Ambient	46	°C/W	DC operation
wt Approximate Weight	0.24(0.008)	g(oz.)	
Case Style	SMC		Similar to DO-214AB
Device Marking	IR3H		

(\*)  $\frac{dP_{tot}}{dT_j} < \frac{1}{R_{th(j-a)}}$  thermal runaway condition for a diode on its own heatsink

(\*\*) Mounted 1 inch square PCB

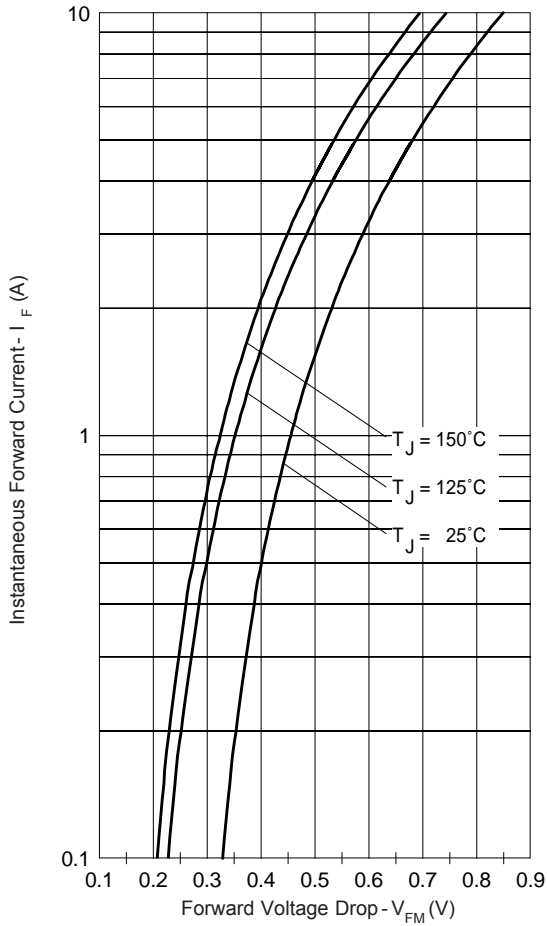


Fig. 1 - Max. Forward Voltage Drop Characteristics (Per Leg)

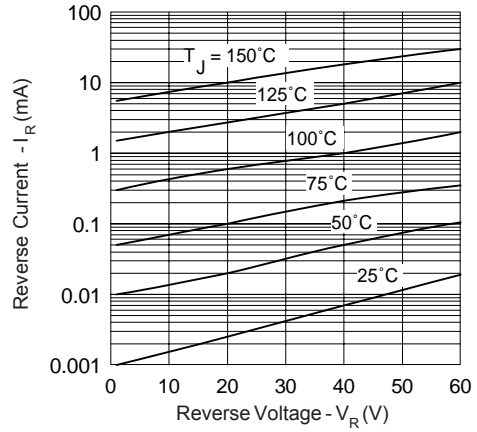


Fig. 2 - Typical Values Of Reverse Current Vs. Reverse Voltage (Per Leg)

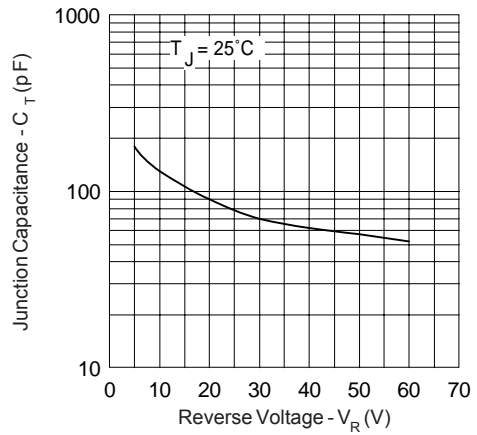


Fig. 3 - Typical Junction Capacitance Vs. Reverse Voltage (Per Leg)

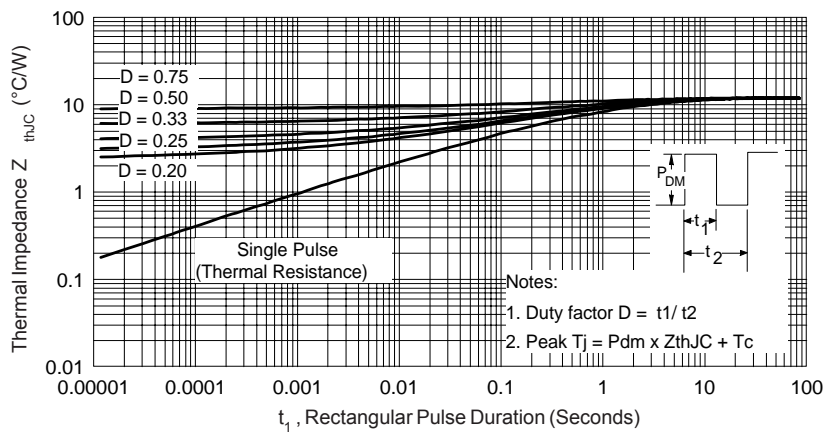


Fig. 4 - Max. Thermal Impedance  $Z_{thJC}$  Characteristics (Per Leg)

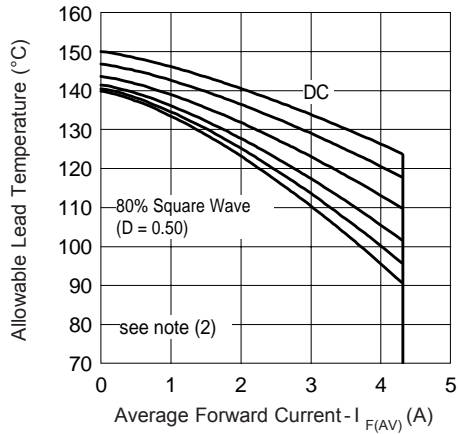


Fig. 4 - Maximum Average Forward Current Vs. Allowable Lead Temperature

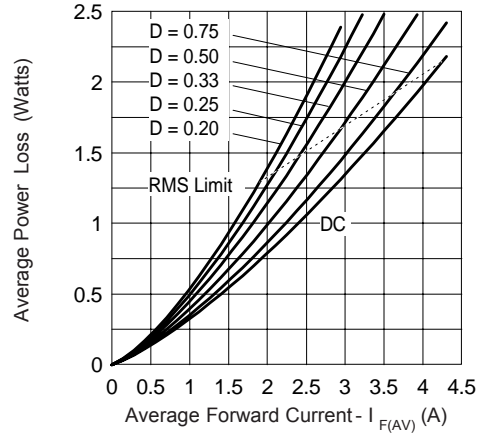


Fig. 5 - Maximum Average Forward Dissipation Vs. Average Forward Current

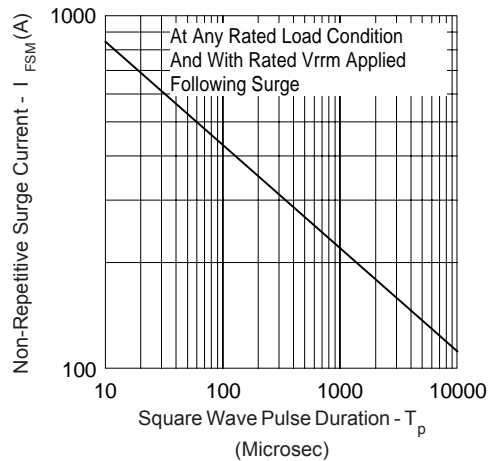
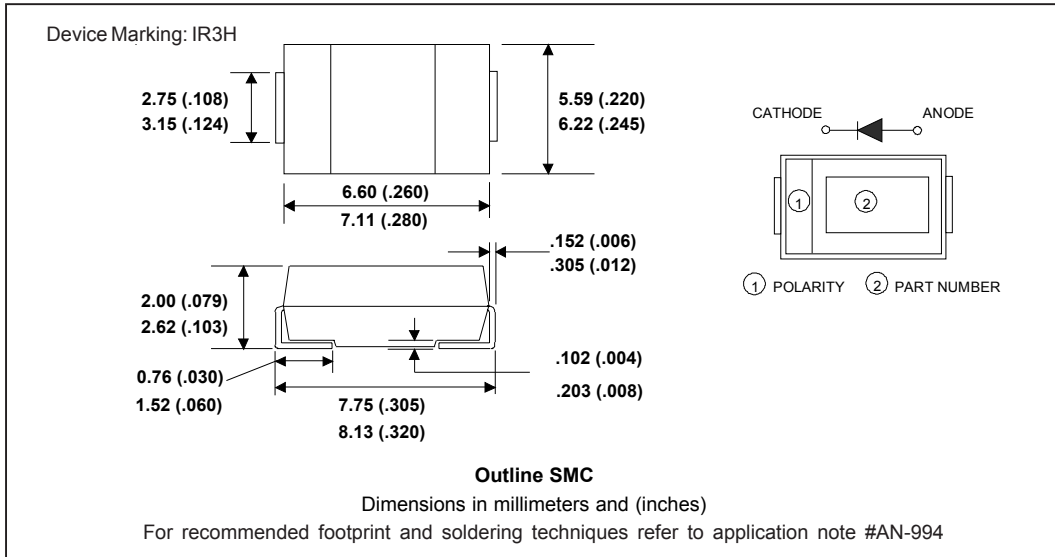


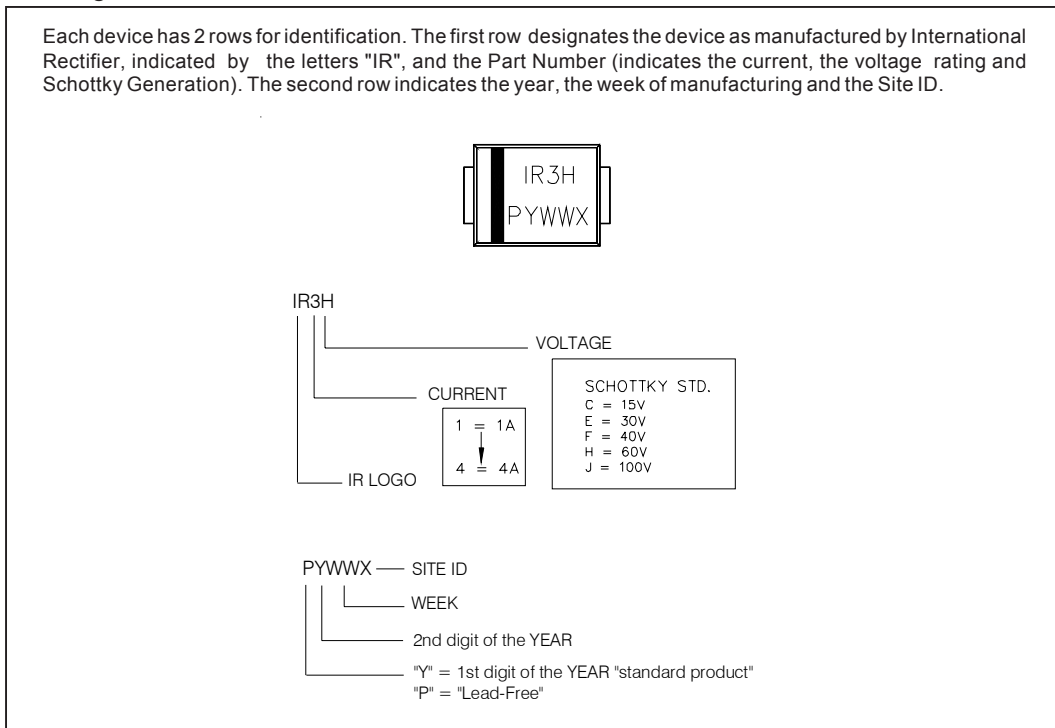
Fig. 6 - Maximum Peak Surge Forward Current Vs. Pulse Duration

- (2) Formula used:  $T_C = T_J - (Pd + Pd_{REV}) \times R_{thJC}$ ;  
 $Pd = \text{Forward Power Loss} = I_{F(AV)} \times V_{FM} @ (I_{F(AV)}/D)$  (see Fig. 6);  
 $Pd_{REV} = \text{Inverse Power Loss} = V_{R1} \times I_R (1 - D)$ ;  $I_R @ V_{R1} = 80\% \text{ rated } V_R$

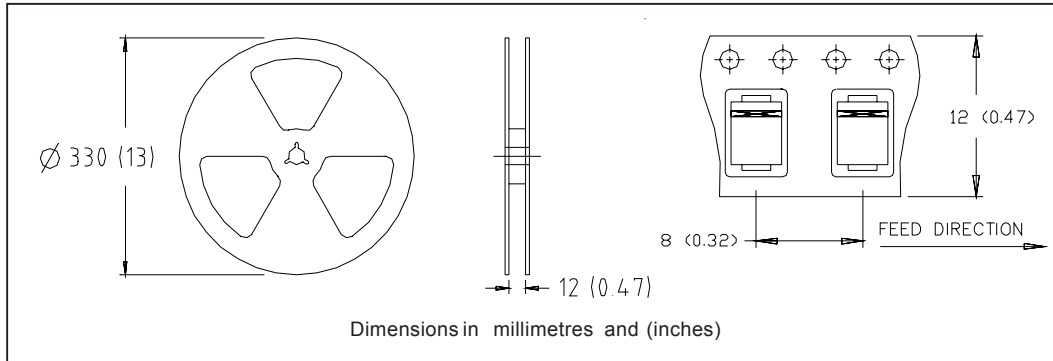
Outline Table



Marking & Identification



Tape & Reel Information



Ordering Information Table

Device Code	30	B	Q	060	TR	PbF
	①	②	③	④	⑤	⑥
<b>1</b>	-	Current Rating				
<b>2</b>	-	B = Single Lead Diode				
<b>3</b>	-	Q = Schottky Q Series				
<b>4</b>	-	Voltage Rating (060 = 60V)				
<b>5</b>	-	• none = Box (1000 pieces)				
		• TR = Tape & Reel (3000 pieces)				
<b>6</b>	-	• none = Standard Production				
		• PbF = Lead-Free				

Data and specifications subject to change without notice.  
This product has been designed and qualified for Industrial Level and Lead-Free.  
Qualification Standards can be found on IR's Web site.