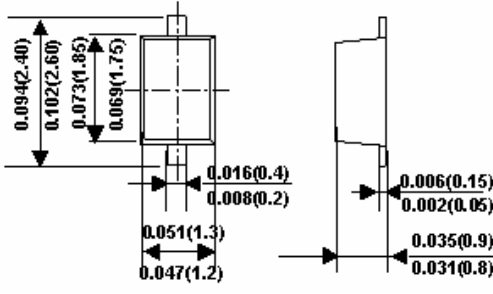
	<h2 style="margin: 0;">RB751V-40</h2> <h3 style="margin: 0;">0.03A Surface Mount Schottky Barrier Diode</h3>
	Voltage Range 40 Volts 0.03 Amperes
<p>Features</p> <ul style="list-style-type: none"> ◇ Small surface mounting type ◇ High reliability ◇ Low reverse current and low forward voltage <p>Mechanical Data</p> <ul style="list-style-type: none"> ◇ Case: SOD-323F, Molded plastic ◇ Terminals: Solderable per MIL-STD-202, Method 208 ◇ Polarity: Cathode band ◇ Marking : Date Code and Type Code Type Code: SA ◇ Weight: 0.01 gram 	<p style="text-align: center;">SOD-323F</p>  <p style="text-align: center;">Dimensions in inches and (millimeters)</p>

Maximum Ratings $T_A=25^\circ\text{C}$ unless otherwise specified

Type Number	Symbol	Value	Units
Peak Reverse Voltage	VRM	40	V
DC Reverse Voltage	VR	30	V
Mean Rectified Current	I_O	30	mA
Peak Forward Surge Current *	IFSM	200	mA
Junction Temperature	T_J	125	$^\circ\text{C}$
Storage Temperature	T_{STG}	-40 to + 125	$^\circ\text{C}$

* 60 Hz for 1

Electrical Characteristics

Type Number	Symbol	Min	Typ	Max	Units
Reverse Leakage Current $VR=30V$	IR	-		0.5	mA
Forward Voltage $IF=1.0mA$	VF			0.37	V
Capacitance between terminals $VR=1V, f=1.0MHz$	C_T	-	2.0		pF

* ESD sensitive product handling required.

RATINGS AND CHARACTERISTIC CURVES (RB751V-40)

FIG.1- FORWARD CHARACTERISTICS

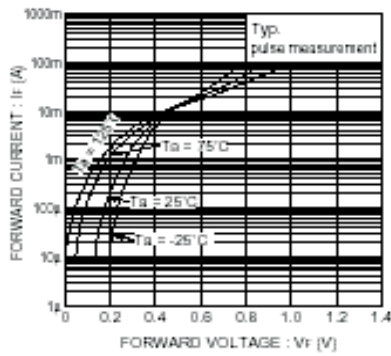


FIG.2- REVERSE CHARACTERISTICS

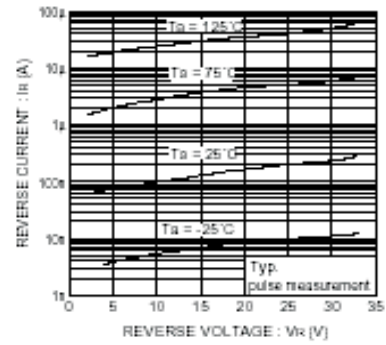


FIG.3- CAPACITANCE BETWEEN TERMINALS CHARACTERISTICS

