

Piezosignalgeber RMP-28SW01-DT Art.-Nr. 185505

Specification:

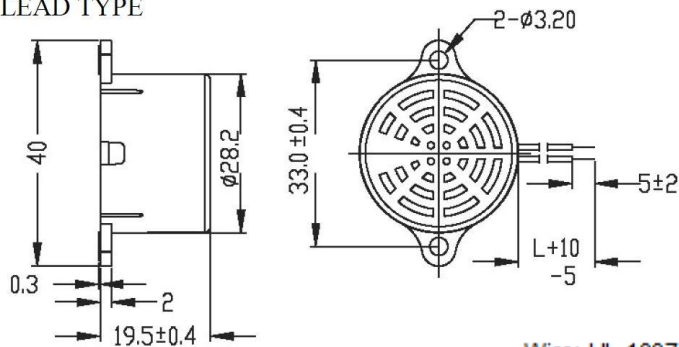
TYPE	UNIT	RMP-28SW01-DT
• Min. Sound Output at 30cm	dB	80
Rated Voltage	VDC	1.5
Operating Voltage	VDC	1~3
Resonant Frequency	Hz	2800±100
• Max. Current Consumption	mA	15
Tone		Single
Operating Temperature	°C	-20~+70
Storage Temperature	°C	-30~+70
Weight	g	10

- Value applying at rated voltage

Dimensions:

(Unit: mm)

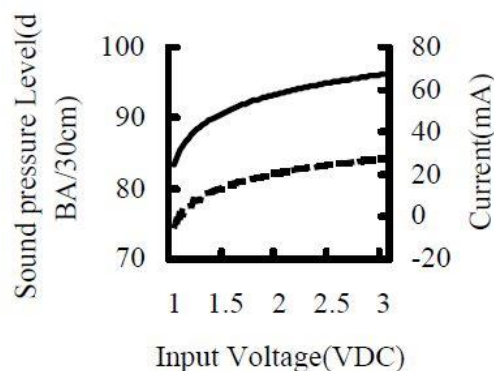
LEAD TYPE



Wire: UL 1007 #28

AWG 28

Frequency response:



Version 1 / 10/2021

Adresse: **Felix-Wankel-Str. 35 • 73760 Ostfildern/Nellingen**

Tel: **+49-711/**

E-mail: **info@**

Wire: **UL 1007 #28**

AWG 28

ax: **+49-711/3414024**

site: **www.EKULIT.de**