

# HITPOINT

TEL:886-2-2601-3311

FAX:886-2-2601-3898

NO.4 Lane 505, Zhongzheng Rd., Linkou Shiang, Taipei, Taiwan 24445 . R.O.C

## Magnetic Buzzer PB-1027MFD-05Q

(RoHS)

DATE:2017/07/19

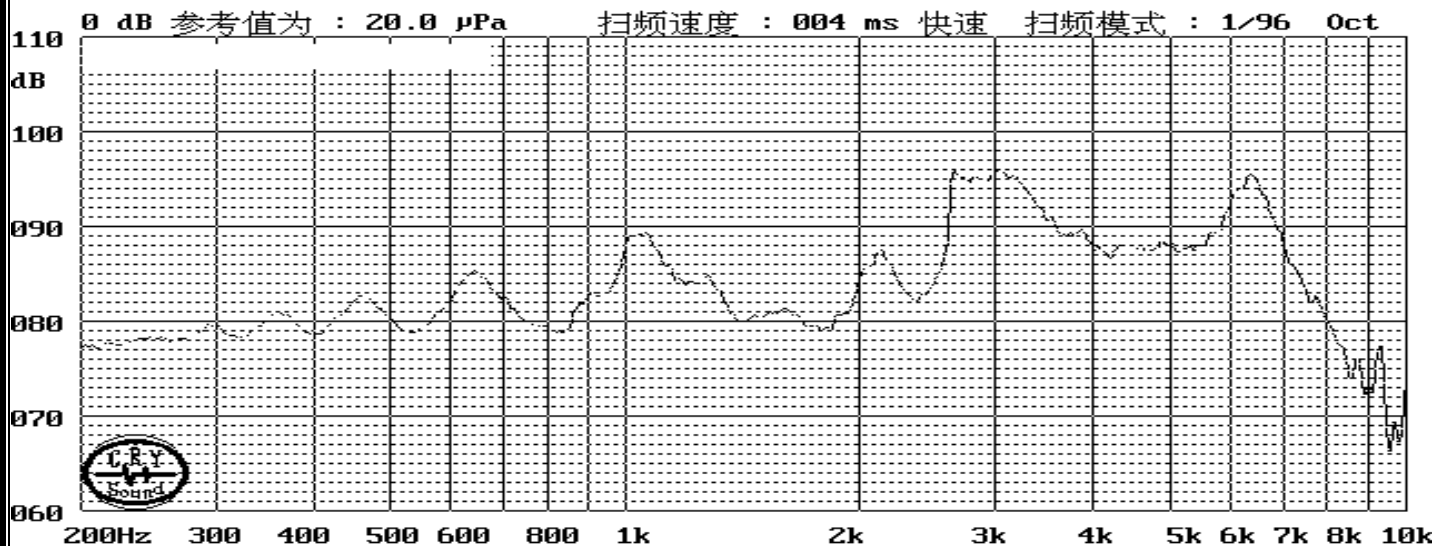
### 1. Electrical Characteristics

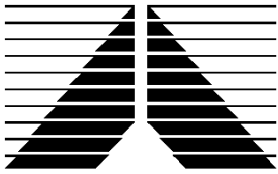
VER.:1

Oscillation Frequency (Hz)	2700
Operating Voltage (Vp-p)	4.0~ 7.0
Rated Voltage (Vp-p)	5.0
Current Consumption (mA/max)	80at Rated Voltage
Sound Pressure Level (dB/min)	92 at 10cm at Rated Voltage
Coil Resistance ( $\Omega$ )	$30 \pm 3$
Operating Temperature ( $^{\circ}\text{C}$ )	$-20 \sim +70$
Storage Temperature ( $^{\circ}\text{C}$ )	$-30 \sim +80$
Condition by reflow soldering ( $^{\circ}\text{C}$ )	$250 \pm 5^{\circ}\text{C}$ / within 10sec
Condition by hand ( $^{\circ}\text{C}$ )	$350 \pm 20^{\circ}\text{C}$ / within 5sec

PS : Vp-p = 1/2duty , square wave

### 2. Typical Frequency Response Curve





# HITPOINT

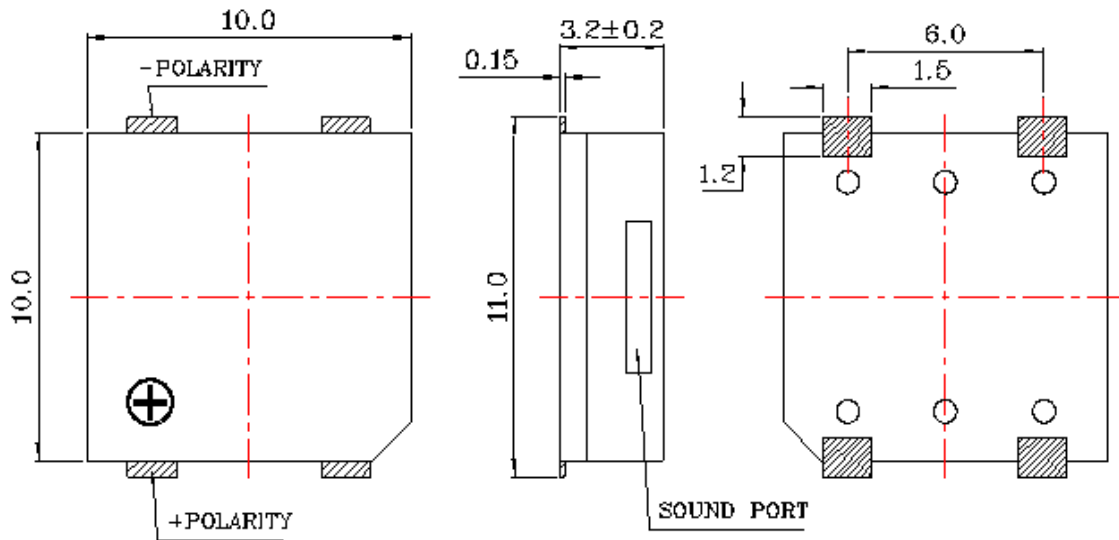
TEL:886-2-2601-3311

FAX:886-2-2601-3898

NO.4 Lane 505, Zhongzheng Rd., Linkou Shiang, Taipei, Taiwan 24445 . R.O.C

## 2. Dimensions and Material

### 2-1 Shape

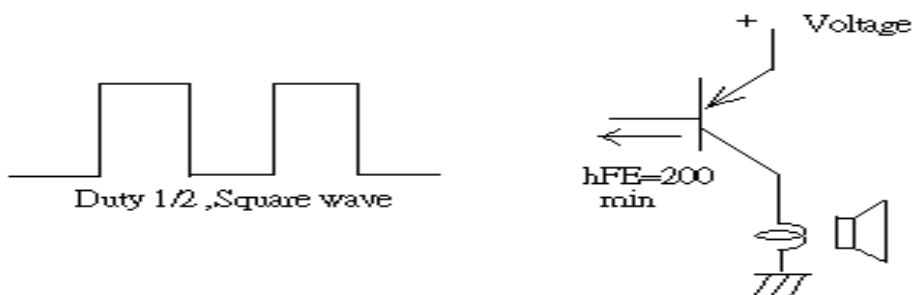


Unit : mm TOL : ±0.3

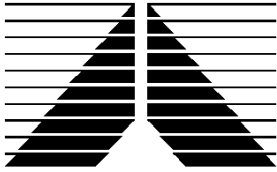
### 2-2 Material

Housing	LCP plastic resin (Color : Black)
Type Of Connection Terminals	SMD
Weight (Gram)	0.8

## 3. Recommend Driving Circuit



The base current  $I_b$  should high enough so that it saturates the collector current of the transistor with the CB load.



# HITPOINT

TEL:886-2-2601-3311

FAX:886-2-2601-3898

NO.4 Lane 505, Zhongzheng Rd., Linkou Shiang, Taipei, Taiwan 24445 . R.O.C

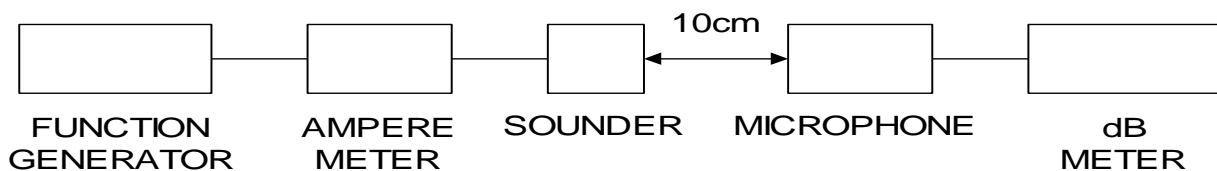
## 4. TESTING METHOD

### · **Standard Measurement conditions**

Temperature:  $25 \pm 2^\circ\text{C}$  Humidity: 45-60%

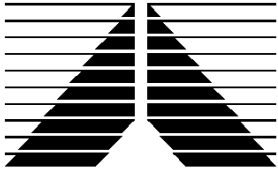
### · **Acoustic Characteristics**

The oscillation frequency, current consumption and sound pressure are measured by the measuring instruments shown below.



## 5. RELIABILITY

<b>ITEMS</b>	<b>METHOD OF TEST AND MEASUREMENTS</b>	<b>PERFORMANCE</b>
Coldness withstanding	After 98 hours of being exposed to $-30^\circ\text{C}$ environment, should be returned to normal environment for 2 hours, then re-proceed to test.	No abnormality shall exist
Hotness withstanding	After 98 hours of being exposed to $+80^\circ\text{C}$ environment, should be returned to normal environment for 2 hours, then re-proceed to test.	No abnormality shall exist
Humidity withstanding	After 98 hours of being exposed to $40^\circ\text{C}$ 95%RH environment in actual operation, should be returned to normal environment for 2 hours, then re-proceed to test.	No abnormality shall exist
Durability	Testing after 98 hours actual continuous operation. (at standard measurement conditions)	No abnormality shall exist
Drop withstanding	A natural drop from 75cm high down to the ground.	No abnormality shall exist
Vibration withstanding	Vibration of 2,000 cycles per minute, 2mm amplitude, applied in X, Y and Z directions for 30 minutes each.	No abnormality shall exist



# HITPOINT

TEL:886-2-2601-3311

FAX:886-2-2601-3898

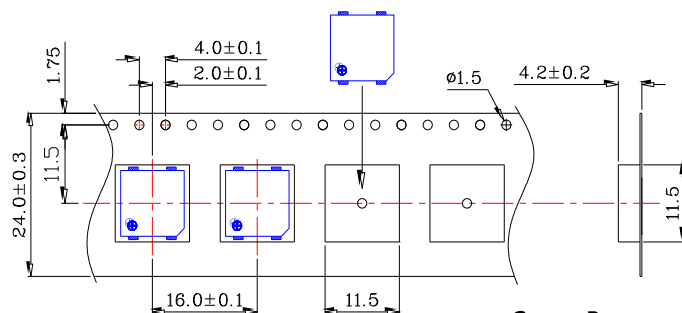
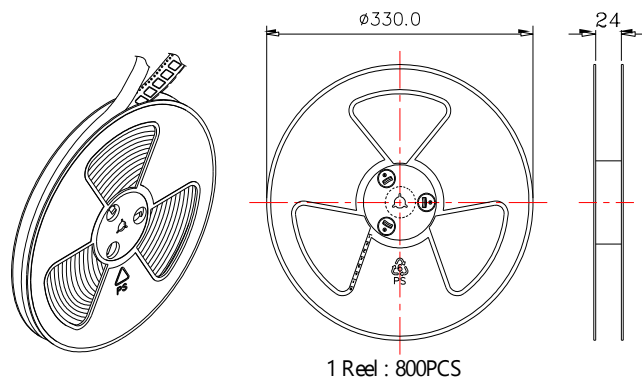
NO.4 Lane 505, Zhongzheng Rd., Linkou Shiang, Taipei, Taiwan 24445 . R.O.C

## 6. PACKAGE METHOD

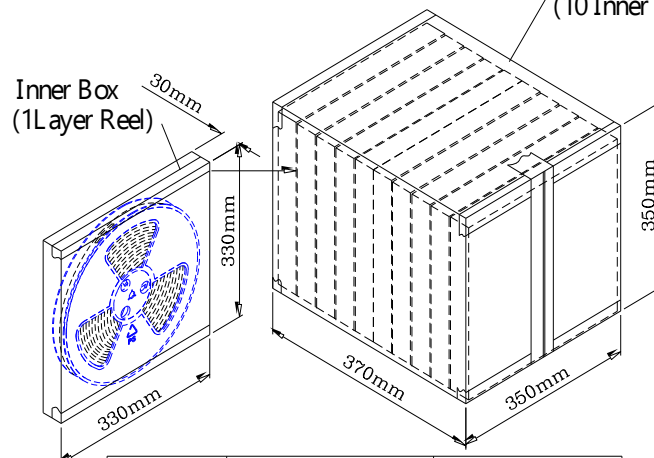
< 1 > 800pcs per reel; (8000pcs of PB-1027MFD-05Q are packed in a carton box.)

2> RoHS Mark:

< 2 > RoHS Mark:



Carton Box  
(10 Inner Box)



Inner Box	330mmx330mmx30mm	1x800PCS=800PCS
Carton Box	350mmx350mmx370mm	10x800PCS=8,000PCS