



HITPOINT

TEL:8862-26013311

FAX:8862-26013898

NO.4 Lane 505, Zhongzheng Rd., Linkou Shiang, Taipei, Taiwan 24445 . R.O.C

Piezo Electric Buzzer

PK-16N35P-03VQ

(RoHS)

DATE:2019.07.16

1 Electrical Characteristics

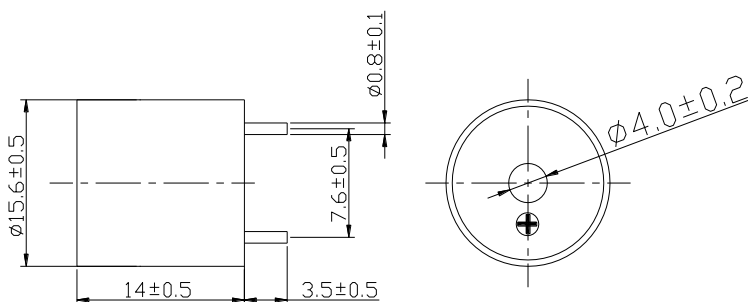
VER.: 1

Oscillation Frequency (KHz)	3.5 ± 0.5
Operating Voltage (Vdc)	2 ~ 12
Rated Voltage (Vdc)	3
Current Consumption (mA/max)	15 at Rated Voltage
Sound Pressure Level (dB/min)	90 at 10cm at Rated Voltage
Tone/Pulse Rate	Constant
Operating Temperature (°C)	-30 ~ +100
Storage Temperature (°C)	-40 ~ +110
Condition by wave (°C)	$260 \pm 5^\circ\text{C}$ / within 5sec
Condition by hand (°C)	$350 \pm 20^\circ\text{C}$ / within 5sec

2 Dimensions and Material

2-1 Shape

Before remove waterproof seal



Unit: mm



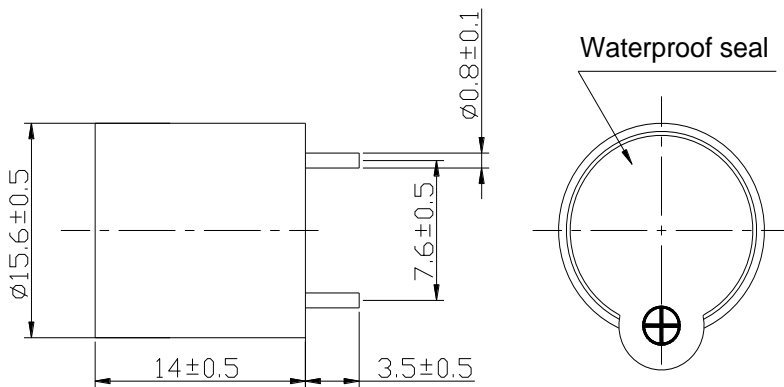
HITPOINT

TEL:8862-26013311

FAX:8862-26013898

NO.4 Lane 505, Zhongzheng Rd., Linkou Shiang, Taipei, Taiwan 24445 . R.O.C

After remove waterproof seal



Unit : mm

2-2 Weight and Material

Weight (Gram)	2.5
---------------	-----

Part No.	Part Name	Q'TY	Material	Remark
1	PCB	1	Epoxy Board	
2	Housing	1	Black PBT	
3	Piezo element	1	Brass	
4	Epoxy		Resin	
5	Lead pin	2	Red Copper (DSn)	
6	Masking label	1	paper	

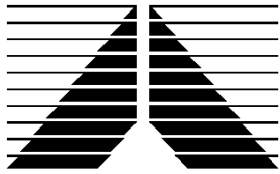
3. TESTING METHOD

. Standard Measurement conditions

Temperature: $25 \pm 2^\circ\text{C}$ Humidity: 45-60%

. Acoustic Characteristics

The oscillation frequency, current consumption and sound pressure are measured by the measuring instruments shown below.

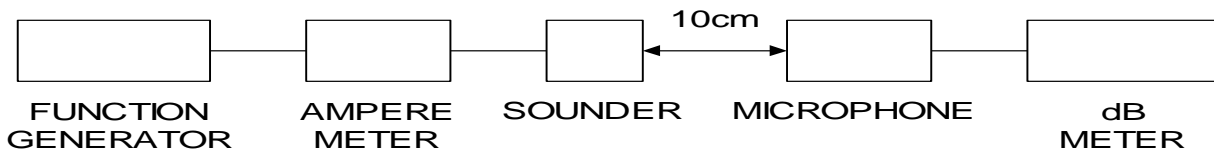


HITPOINT

TEL:8862-26013311

FAX:8862-26013898

NO.4 Lane 505, Zhongzheng Rd., Linkou Shiang, Taipei, Taiwan 24445 . R.O.C



5. RELIABILITY

ITEMS	METHOD OF TEST AND MEASUREMENTS	PERFORMANCE
<i>Coldness withstanding</i>	<i>After 98 hours of being exposed to -40°C environment, should be returned to normal environment for 2 hours, then re-proceed to test.</i>	<i>No abnormality shall exist</i>
<i>Hotness withstanding</i>	<i>After 98 hours of being exposed to +110°C environment, should be returned to normal environment for 2 hours, then re-proceed to test.</i>	<i>No abnormality shall exist</i>
<i>Humidity withstanding</i>	<i>After 98 hours of being exposed to 40°C 95%RH environment in actual operation, should be returned to normal environment for 2 hours, then re-proceed to test.</i>	<i>No abnormality shall exist</i>
<i>Durability</i>	<i>Testing after 98 hours actual continuous operation. (at standard measurement conditions)</i>	<i>No abnormality shall exist</i>
<i>Drop withstanding</i>	<i>A natural drop from 75cm high down to the ground.</i>	<i>No abnormality shall exist</i>
<i>Vibration withstanding</i>	<i>Vibration of 2,000 cycles per minute, 2mm amplitude, applied in X, Y and Z directions for 30 minutes each.</i>	<i>No abnormality shall exist</i>

6. PACKAGE METHOD

< 1 > 50pcs per box , Total 40 boxes per carton , total 2000pcs carton;
Volume: L*W*H=520*335*290mm

< 2 > Net weight : 5.0KGS ; Gross weight : 6.2KGS ;

< 3 > RoHS Mark: