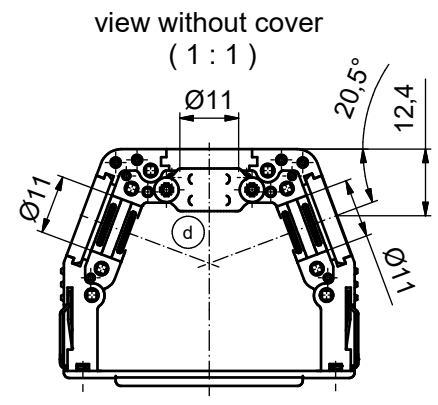
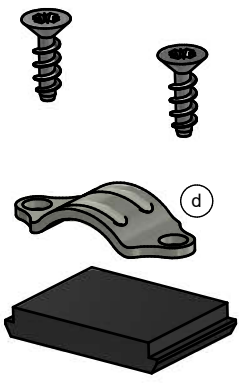
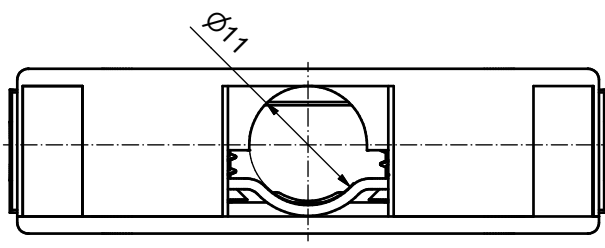
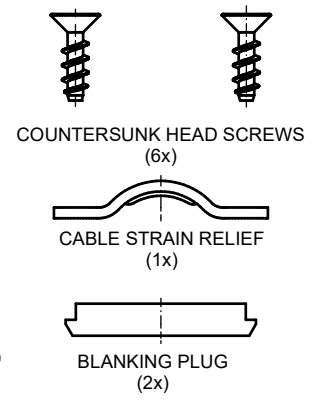
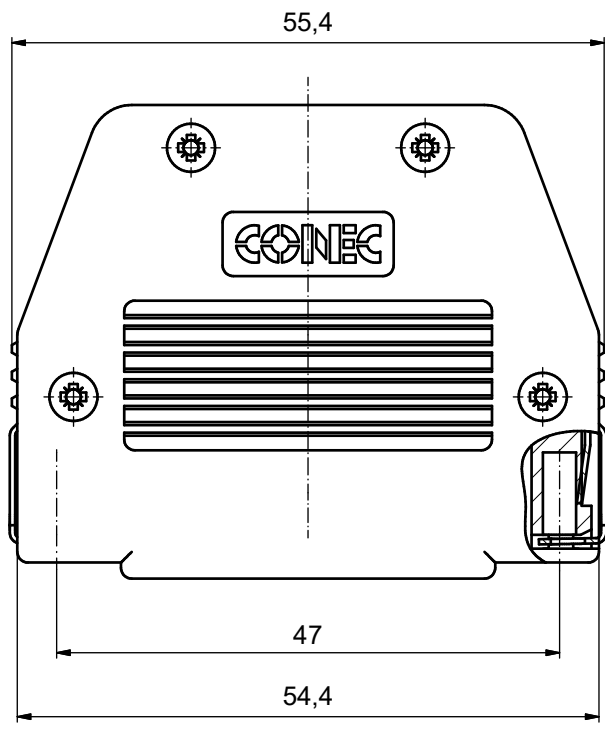
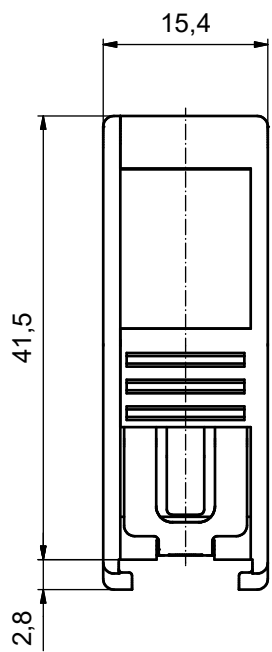


6 5 4 3 2 1



- HOOD ASSEMBLY CONSISTS OF:**
1. HOOD + COVER: ABS UL 94 V-0; BLACK
 2. BLANKING PLUGS: ABS UL 94 V-0; BLACK
 3. CABLE STRAIN RELIEF: STEEL; NICKEL PLATED
 4. CLIP: STAINLESS STEEL
 5. COUNTERSUNK HEAD SCREWS: STEEL; NICKEL PLATED

Part-No.	Part-No.
Bulk package	Single package
16-001830	16-001830E

RoHS compliant

THIS DRAWING MAY NOT BE COPIED OR REPRODUCED IN ANY WAY, AND MAY NOT BE PASSED ON TO A THIRD PARTY WITHOUT WRITTEN PERMISSION. OWNERSHIP AND COPYRIGHT OF CONEC GmbH DO NOT ALTER CAD DRAWING BY HAND	tolerance		dim. in mm		scale: 2:1 (1:1)		material: see drawing		
	drawn	12.11.2012	name		title:				
	appd.	26.03.2014	name		Plastic Hood 25pos				
	2 x d	Ä21-0413	29.10.2021	JLE	norm		with Snap Lock / top and two sides cable exit		
	2 x c	Ä5619	22.04.2015	K.H.	d-old		SK0823Y15		dwg no:
3 x b	Ä5357	24.09.2014	K.H.					16K1A3135	sh: 1
a	Original							part no: (c) (b) SEE TABLE	
rev.	description	date	name						

6 5 4 3 2 1