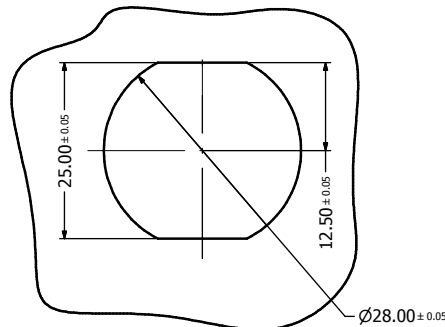
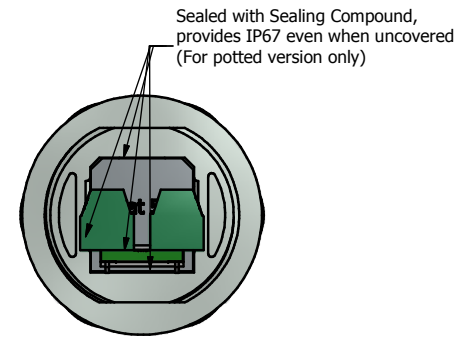
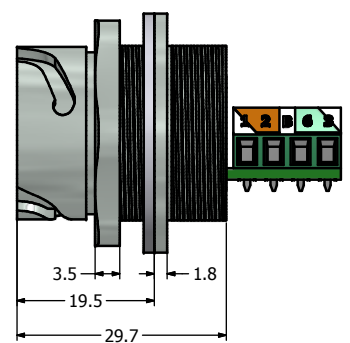
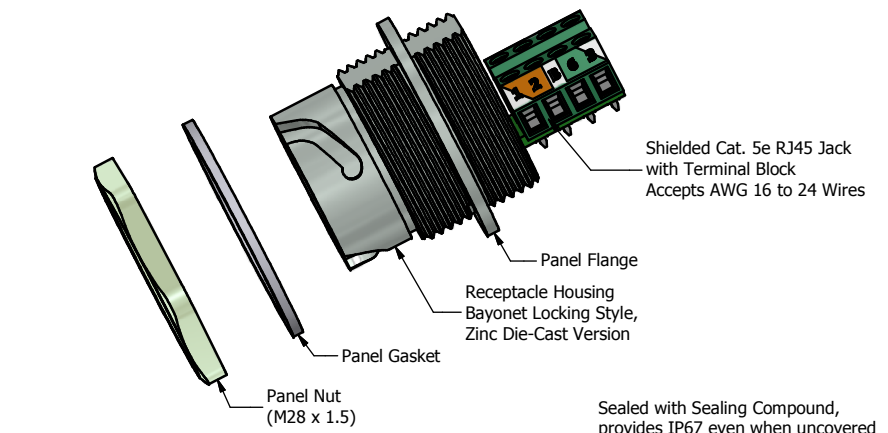
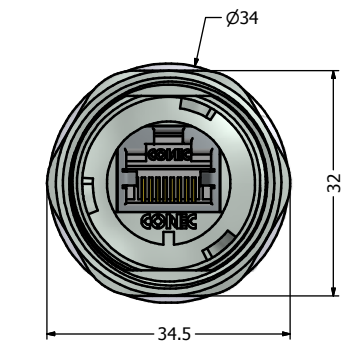
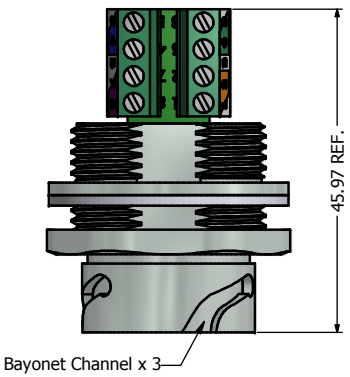


Recommended Single-D Panel Cutout



Recommended Double-D Panel Cutout



- Notes:**
- Electrical Specifications:
 - Meets EIA/TIA-568-B.2 Cat.5e Specification
 - Contact Resistance: 20mOhm max.
 - Insulation Resistance: 500MOhm min. @ 100 VDC
 - Current Rating: 1.2A max. at 25°C
 - Working Voltage: 100 VDC
 - DWV: 1000 VDC/60s Contact to Contact, 1500 VDC/60s Contact to Metal Shell
 - Operating Temperature: -40°C to +85°C
 - Material and Finish:
 - Receptacle Housing: Zinc Die-Cast, Nickel Plated
 - Panel Nut: Brass, Finish: Nickel Plated
 - Panel Gasket: Silicon, Color: White
 - Cat.5e RJ45 Jack Metal Shell: Copper Alloy, Nickel Plated
 - Cat.5e RJ45 Jack Plastic Housing: Glass filled PBT UL94 V-0, Color: Black
 - Cat.5e RJ45 Jack Contacts: Phosphor Bronze, Finish: 50u" Gold min. over Nickel
 - PCB: FR-4
 - Terminal Block Insulator: Polyamide, UL94 V-0 Rated
 - Terminal: Brass, Tin Plated
 - Gage Clamp: Brass, Tin Plated
 - M2 Screw: Steel, Zinc Plated
 - Connector can be front or rear mounted to a maximum panel thickness of 3.2mm.
 - Potted Version must be used, if IP67 required when not capped or mated
 - Recommended Mounting Panel Nut Torque is 20 to 25 lb-inch

Description	Part Number
Nickel Plated Zinc Die-Cast Version	17-110194
Potted Nickel Plated Zinc Die-Cast Version	17-110204

Directive 2002/95/EC RoHS Compliant

THIS DRAWING MAY NOT BE COPIED OR REPRODUCED IN ANY MANNER AND MAY NOT BE PASSED ON TO A THIRD PARTY WITHOUT WRITTEN PERMISSION. OWNERSHIP AND COPYRIGHT OF CONEC CORPORATION.	Customer:		Tolerance Unless otherwise specified		Scale: 1.5:1	Dim. in mm
	Name	Title	Approval Date		0 PLC ±0.50	Material: See Notes Title: Receptacle Assembly Kit with Nickel Plated Zinc Die-Cast Housing with Cat. 5e RJ45 Jack and Terminal Block
				1 PLC ±0.38		
				2 PLC ±0.25	Drawing No.: 17K1A347 Part No.: SEE PART NUMBER TABLE	
			3 PLC ±0.10		DIN A3	
Rev.	Changes	Date	Name		Sheet 1/1	