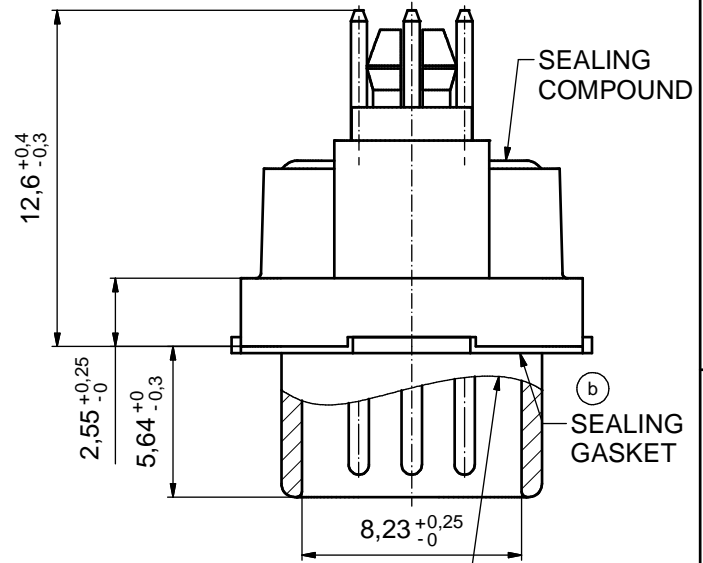
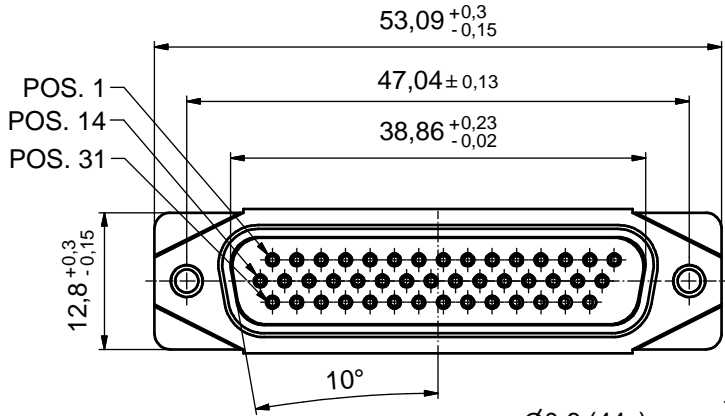
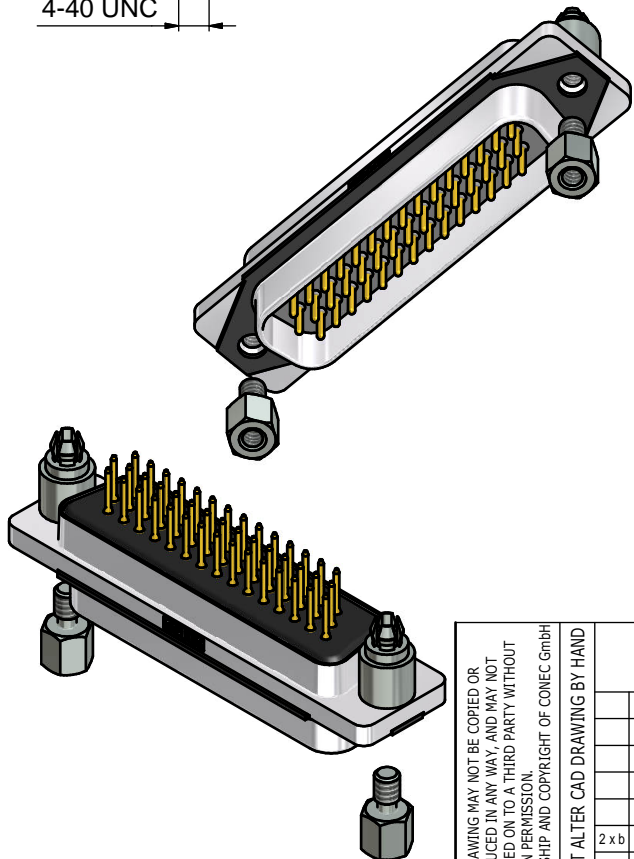
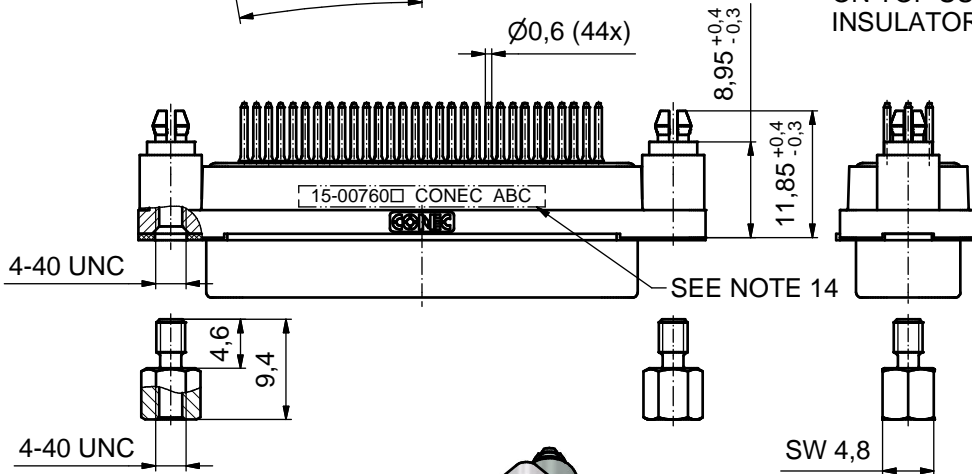


AT ALL TIMES WATER RESISTANT CONNECTORS NOT IN USE SHOULD BE COVERED WITH A CONEC WATER RESISTANT CAP OR WATER TIGHT HOOD.

(5:1)



RUBBER GASKET PLACED ON TOP SURFACE OF MALE INSULATOR



(b) NOTES:

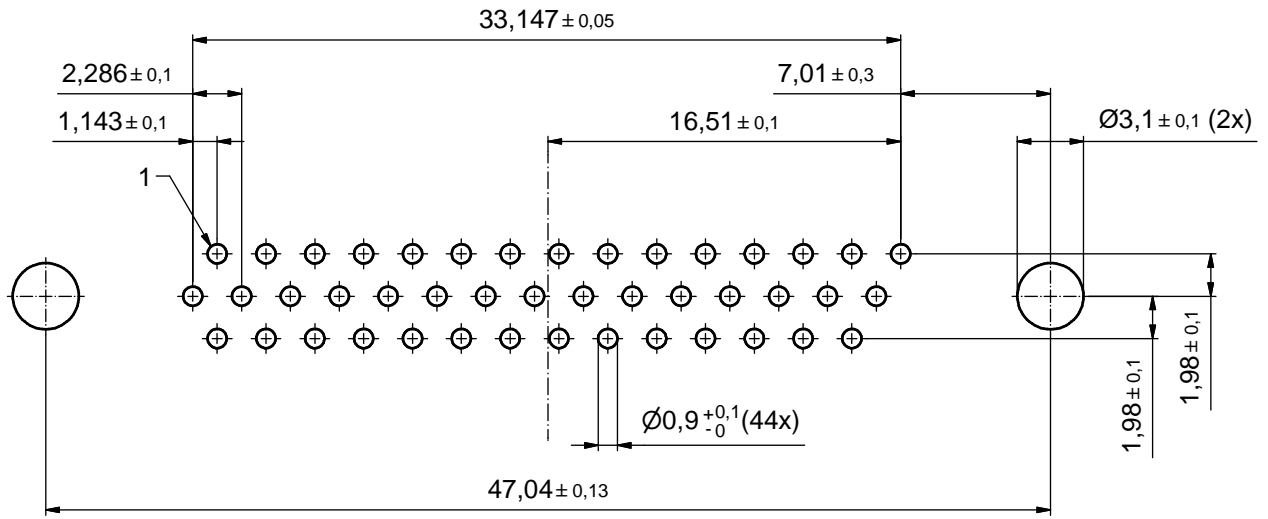
- FOR WAVESOLDERING (SOLDER BATH TEMPERATURE 265°C FOR 8 SEC. AND SOLDER PREHEAT 150°C FOR 180 SEC.)
- IP RATING: IP 67
- SEALED TO WITHSTAND PRESSURE UP TO 1,45 PSI FOR 30 MINUTES AFTER SOLDERING
- METAL SHELL: ZINC DIE CAST; min. 50µm NICKEL PLATING over COPPER
- INSULATORS: PBT GF UL 94 V-0
- SEALING GASKET: SILICONE
- RUBBER GASKET: TPE
- SEALING COMPOUND: EPOXY
- CONTACTS: COPPER ALLOY; PLATING (SEE PART-NO.):  
 PLEASE ADD 1 for 30µm HARD GOLD over min. 50µm NICKEL  
 PLEASE ADD 3 for GOLD FLASH over NICKEL
- REAR SPACER CLIPS: COPPER ALLOY; min. 200µm TIN over 80µm NICKEL  
 PCB-HOLE:  $\varnothing 3,1 \pm 0,1$ mm; PCB THICKNESS 1,6mm
- HEXLOCKING SCREWS: STAINLESS STEEL
- P.C.B. HOLE DRILLINGS and RECOMMENDED PANEL CUT-OUT ON SHEET 2
- RECOMMENDED TORQUE FOR MOUNTING SCREW  
 35Ncm (3.1 in.LB) / max. 67Ncm (6 in.LB)
- CONNECTOR IS PART MARKED: 15-00760 CONEC ABC (see note 9)

RoHS compliant

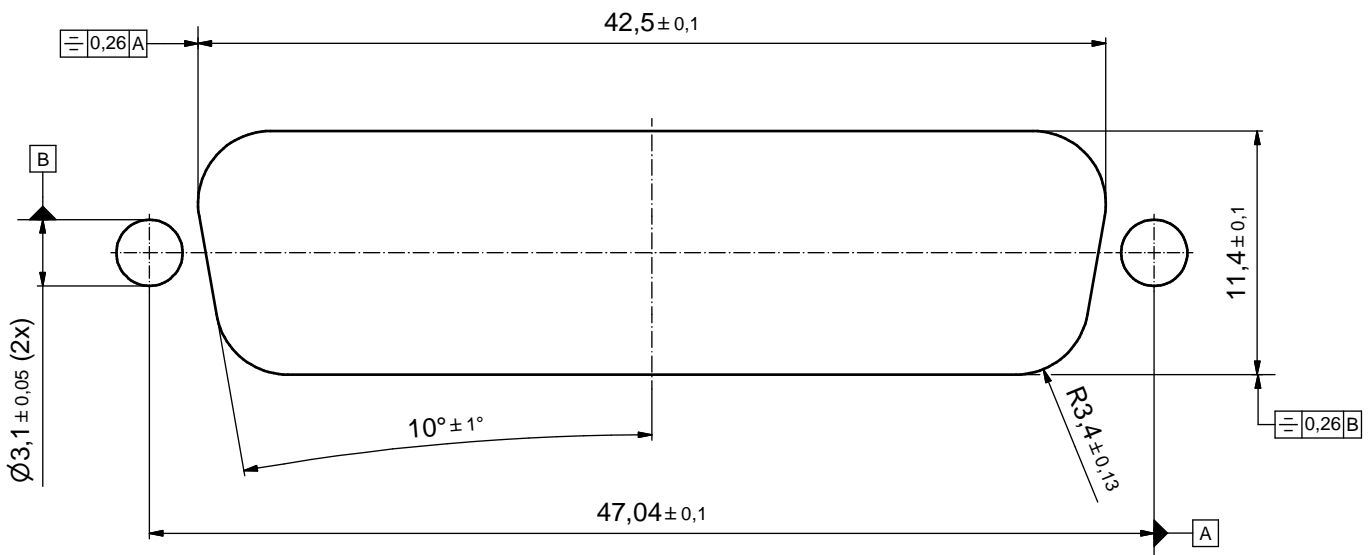
THIS DRAWING MAY NOT BE COPIED OR REPRODUCED IN ANY WAY, AND MAY NOT BE PASSED ON TO A THIRD PARTY WITHOUT WRITTEN PERMISSION. OWNERSHIP AND COPYRIGHT OF CONEC GmbH DO NOT ALTER CAD DRAWING BY HAND				tolerance		dim. in mm	scale: 2:1 (5:1)	
				date			material: SEE NOTES	
				drawn	22.09.2015	Heinrich	title: <b>D-SUB MALE HD</b> 44pos. SOLDER PIN STRAIGHT 4-40 UNC thread and rear spacer clip	
				appd.	22.09.2015	Fischer		
				norm				
				d-old			dwg no:	
2 x b	Ä6417	06.04.2017	Unkrüer	<b>CONEC</b>		15K1A1685		DIN-A3
a	Original					sh: 1		
rev.	description	date	name			part no: 15-00760 (see note 9)		

# P.C.B. HOLE DRILLINGS

( P.C.B. TOP SIDE )



## RECOMMENDED PANEL CUT-OUT



THIS DRAWING MAY NOT BE COPIED OR REPRODUCED IN ANY WAY, AND MAY NOT BE PASSED ON TO A THIRD PARTY WITHOUT WRITTEN PERMISSION. OWNERSHIP AND COPYRIGHT OF CONEC GmbH DO NOT ALTER CAD DRAWING BY HAND				tolerance		scale: 4:1
				dim. in mm		material: SEE SHEET 1
				date	name	title:
				drawn 22.09.2015	Heinrich	RECOMMENDED PANEL CUT-OUT
				appd. 22.09.2015	Fischer	D-SUB MALE HD 44pos. SOLDER CUP
			norm		with closed 4-40 UNC thread and rear spacer clip	
			d-old		dwg no:	
a	Original		<b>CONEC</b> <sup>®</sup>			15K1A1685
rev.	description	date				name
						DIN-A3 sh: 2