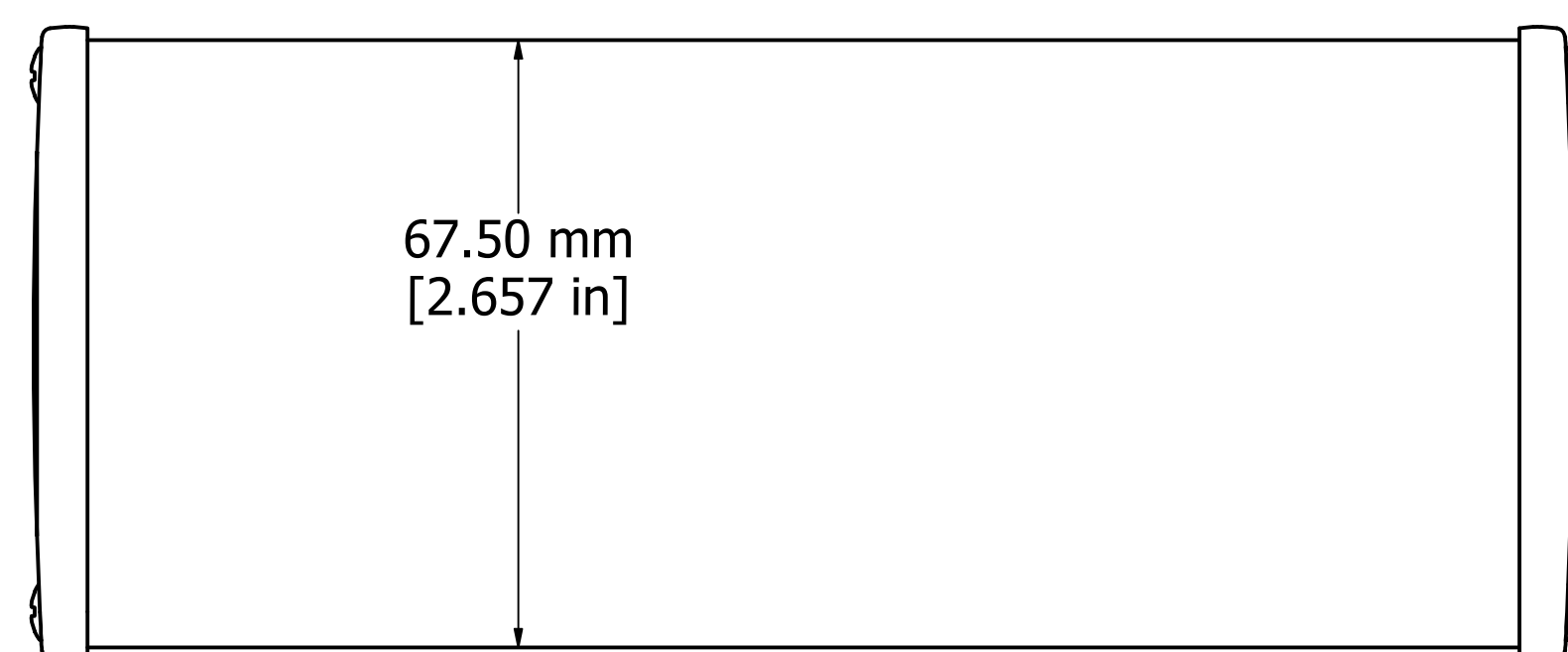
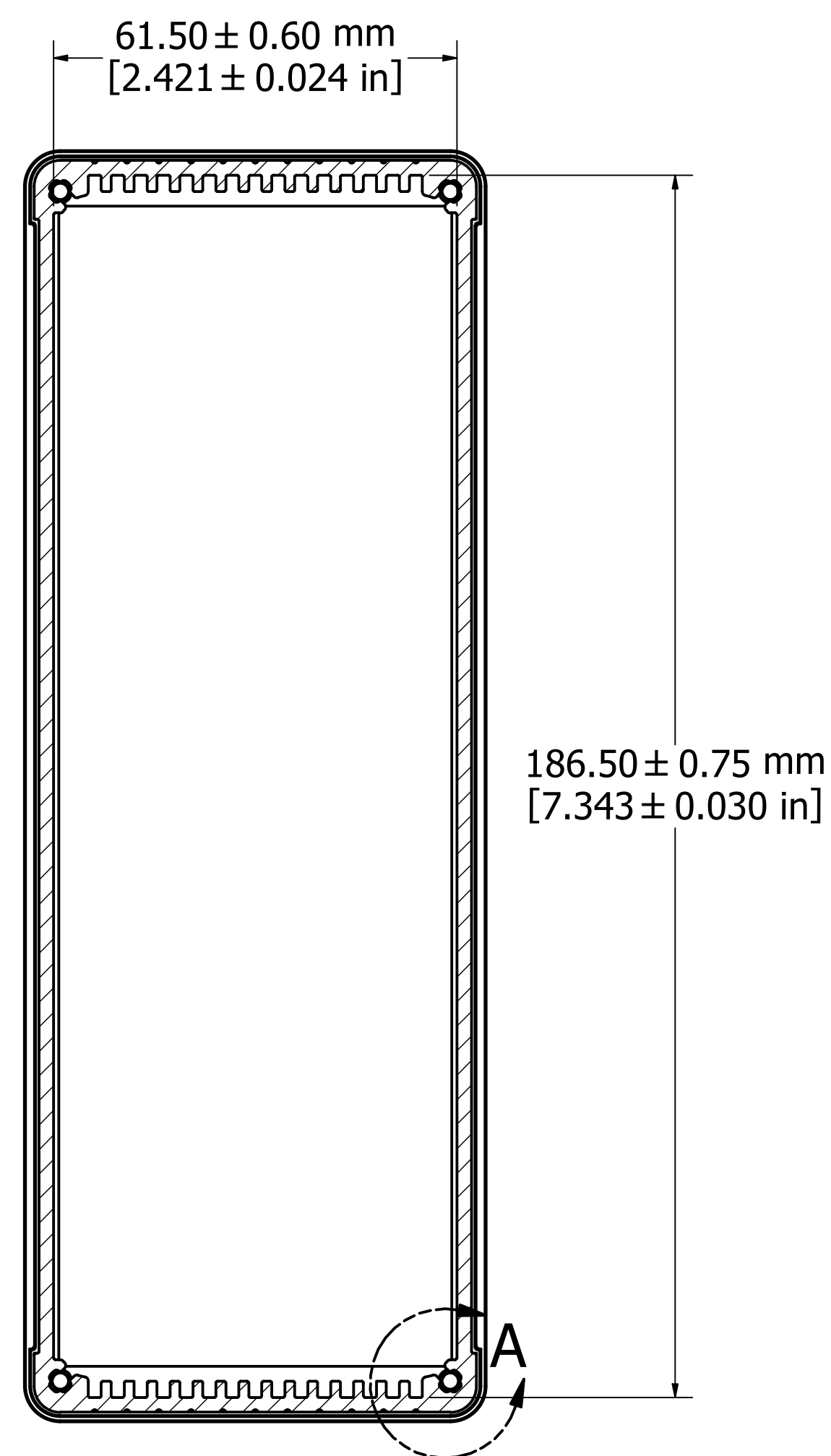


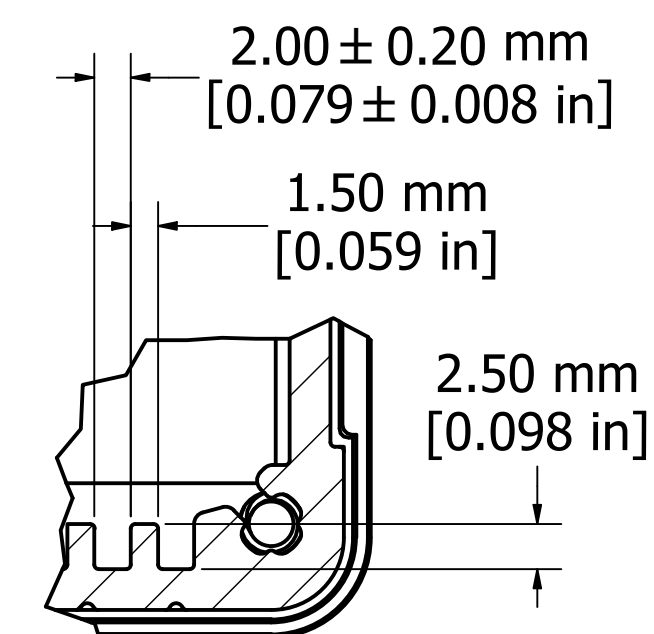
ASSEMBLY - VIEW FROM TOP



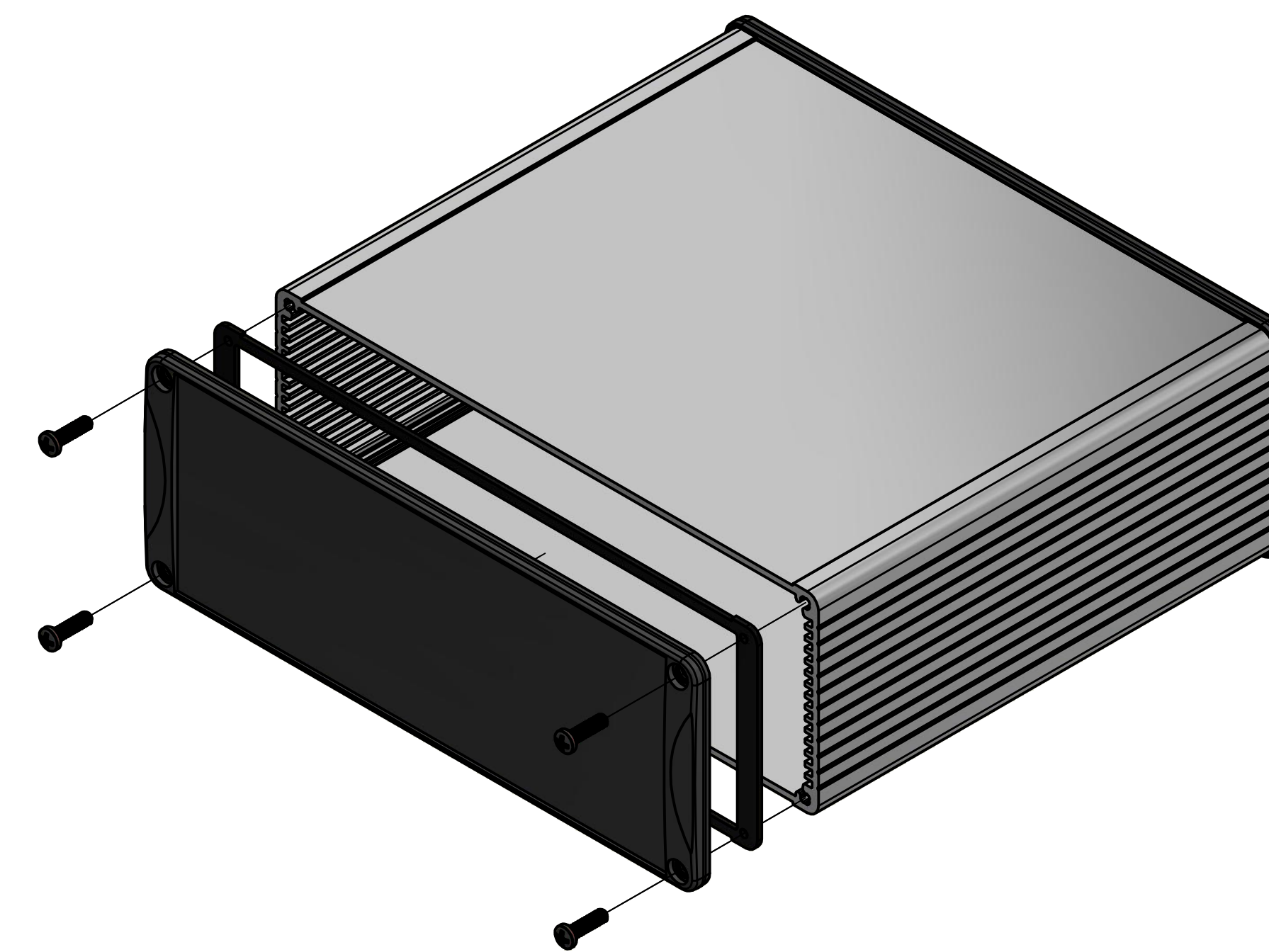
ASSEMBLY - VIEW FROM SIDE



SECTION A-A



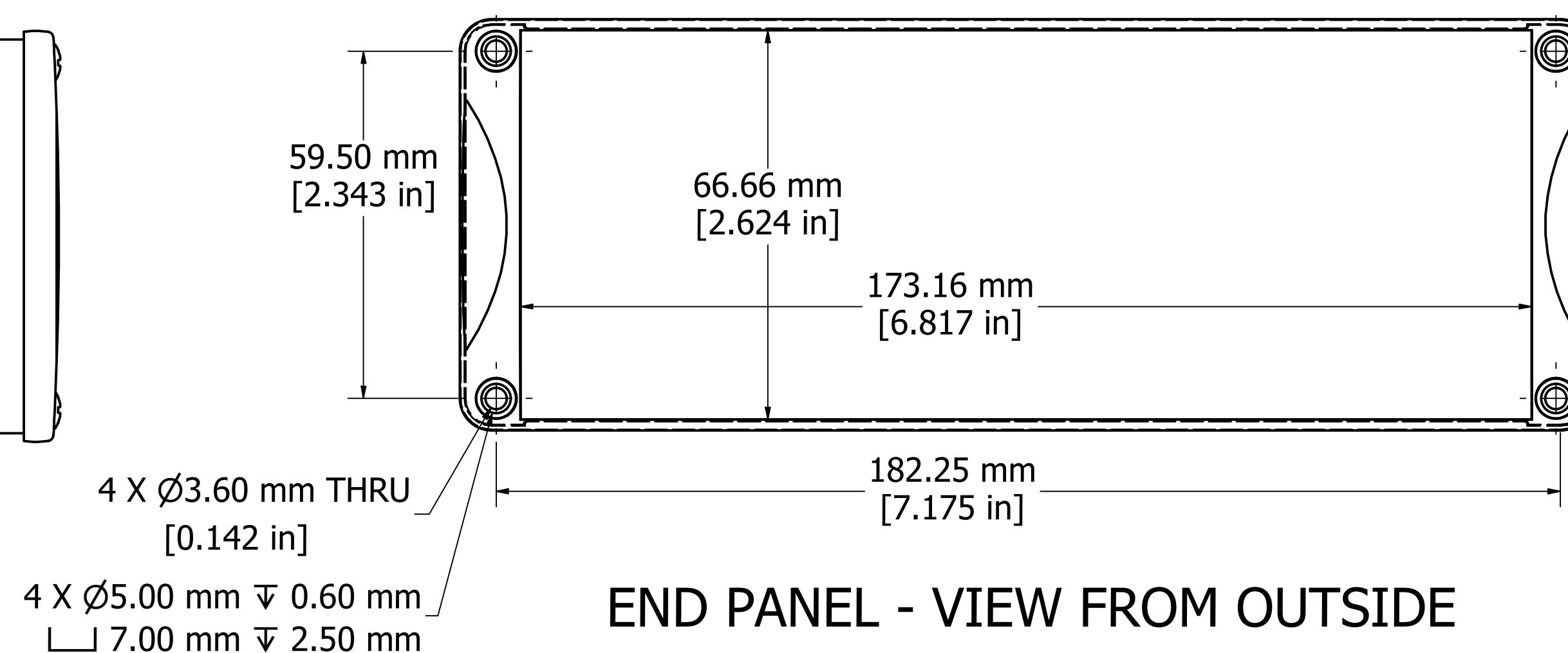
DETAIL A



PROTECTION TO IP 65

Enclosures can be Factory Modified (Milling, Drilling, Printing etc.)
 Contact Factory mjm@hammondmfg.com for quotes
 Solid models of this enclosure available in STEP or IGES.

NOTE	
Purchased assembly includes box, end panels, stainless steel #6 Taptight screws, self adhesive rubber feet, gaskets and O-Rings.	
Box made from Extruded Aluminum 6063.	
End panels made from Type 380 Diecast Aluminum with a black powder paint finish.	
WATERPROOF 1457U1601	
PART NUMBERS	
Clear anodized box with black powder painted end panels	1457U1601
Black powder painted box and end panels	1457U1601BK
EMI/RFI SHIELDED (IP 54)	
Clear anodized box with black powder painted end panels	1457U1601E
Black powder painted box and end panels	1457U1601EBK
ACCESSORIES	
See website for accessories.	



END PANEL - VIEW FROM OUTSIDE

Fits 160mm (6.299") X 186mm (7.323") PCB

**HAMMOND
MANUFACTURING™**

1457U1601

www.hammondmfg.com