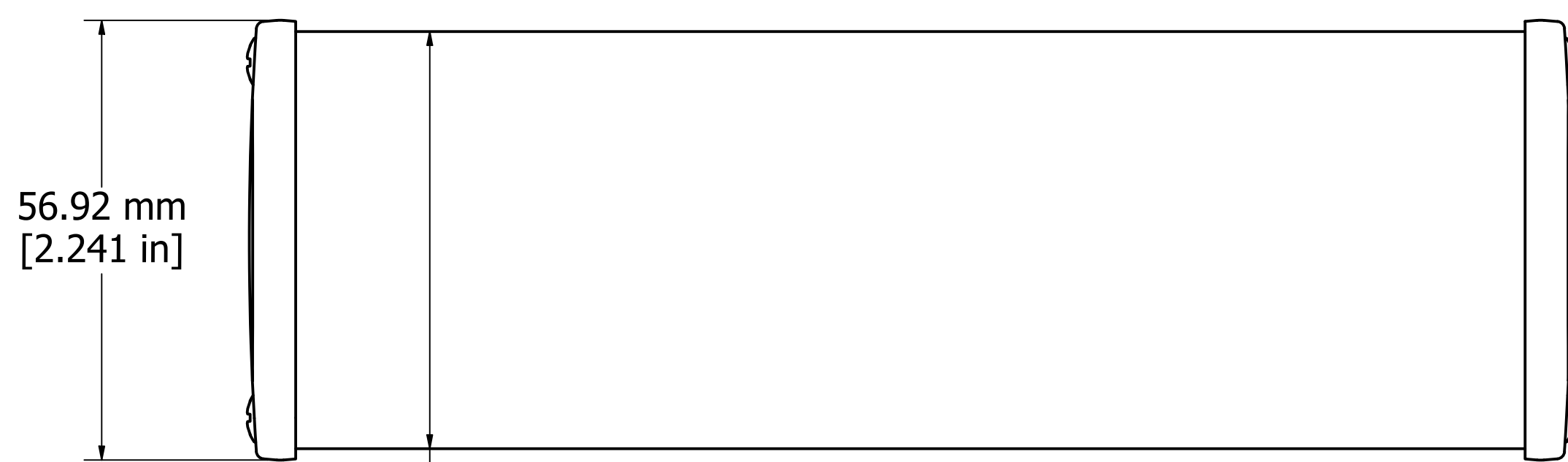
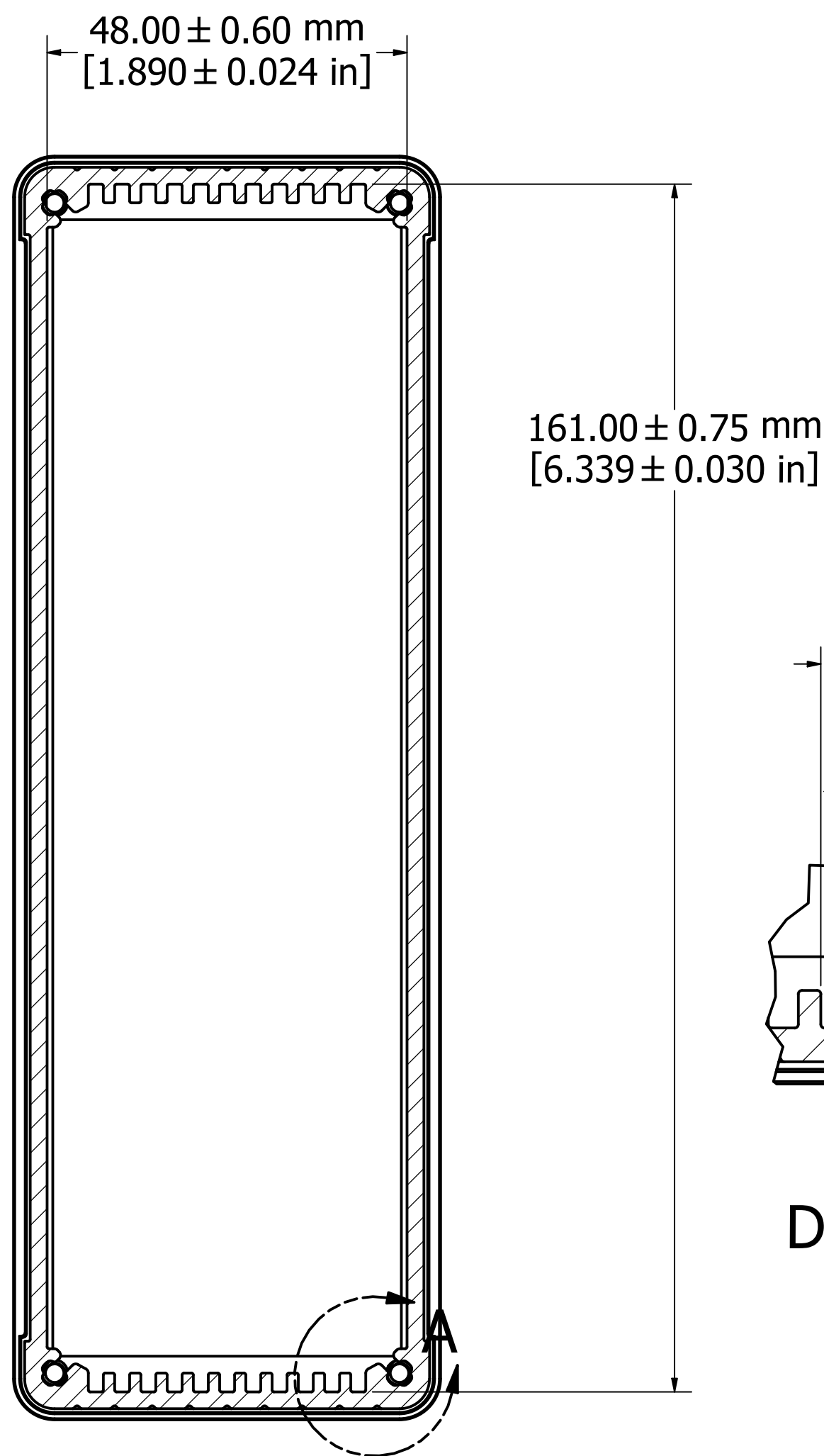


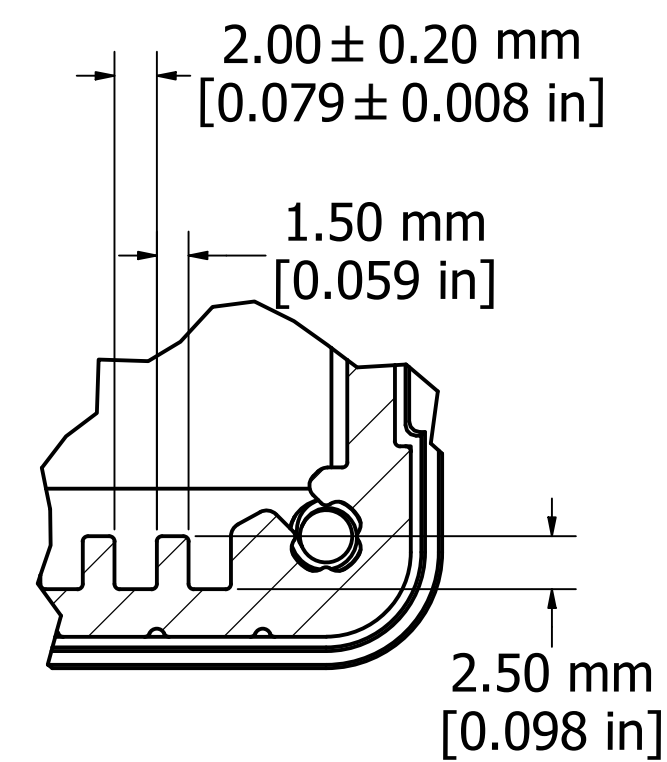
**ASSEMBLY - TOP VIEW**



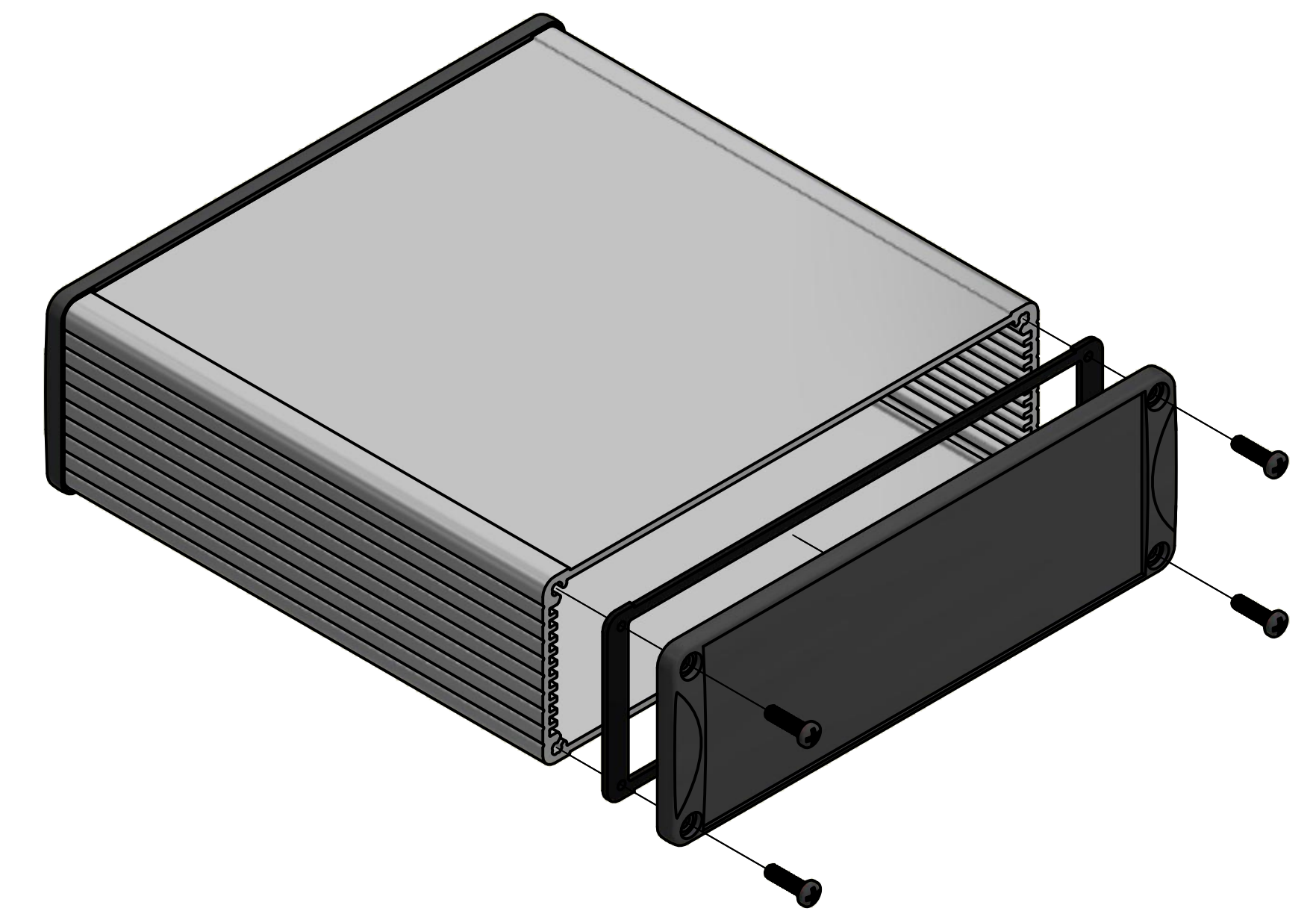
**ASSEMBLY - SIDE VIEW**



**SECTION A-A**



**DETAIL A**



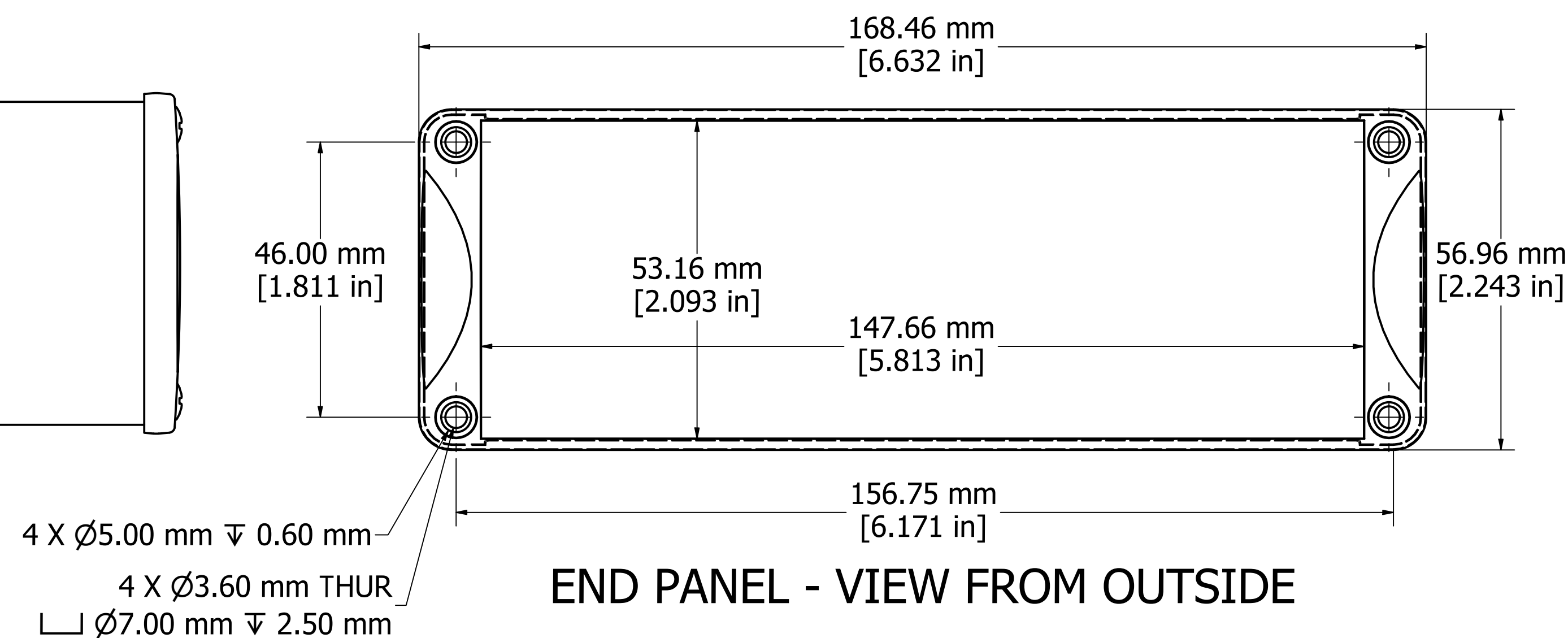
**PROTECTION TO IP 65**

Enclosures can be Factory Modified ( Milling, Drilling, Printing etc. )  
 Contact Factory [mjm@hammondmfg.com](mailto:mjm@hammondmfg.com) for quotes  
 Solid models of this enclosure available in STEP or IGES.

**NOTE**

Purchased assembly includes box, end panels, #6 Taptight screws w/ O-Rings, self adhesive rubber feet, and gaskets  
 Box made from Extruded Aluminum 6063.  
 End panels made from Type 380 Diecast Aluminum with a black powder paint finish.

<b>WATERPROOF 1457T1601</b>	
<b>PART NUMBERS</b>	
Clear anodized box with black powder painted end panels	1457T1601
Black powder painted box and end panels	1457T1601BK
<b>EMI/RFI SHIELDED (IP 54)</b>	
Clear anodized box with black powder painted end panels	1457T1601E
Black powder painted box and end panels	1457T1601EBK
<b>ACCESSORIES</b>	
See website for accessories.	



**END PANEL - VIEW FROM OUTSIDE**

Fits 160mm (6.299") X 160mm (6.299") PCB

**HAMMOND MANUFACTURING™**  
**1457T1601**  
[www.hammondmfg.com](http://www.hammondmfg.com)