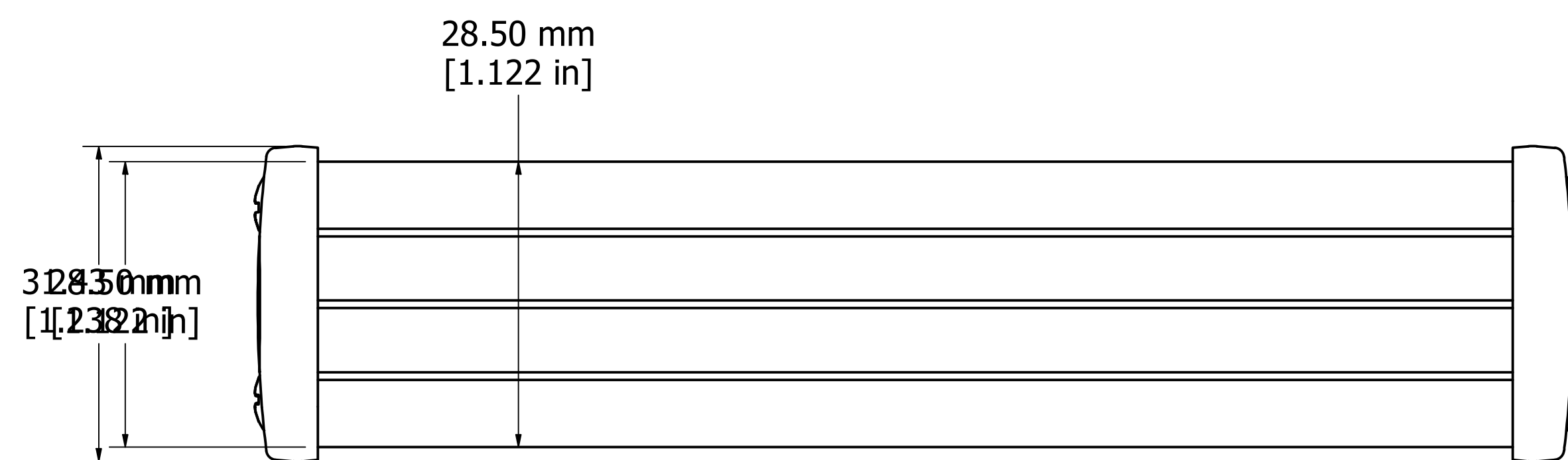
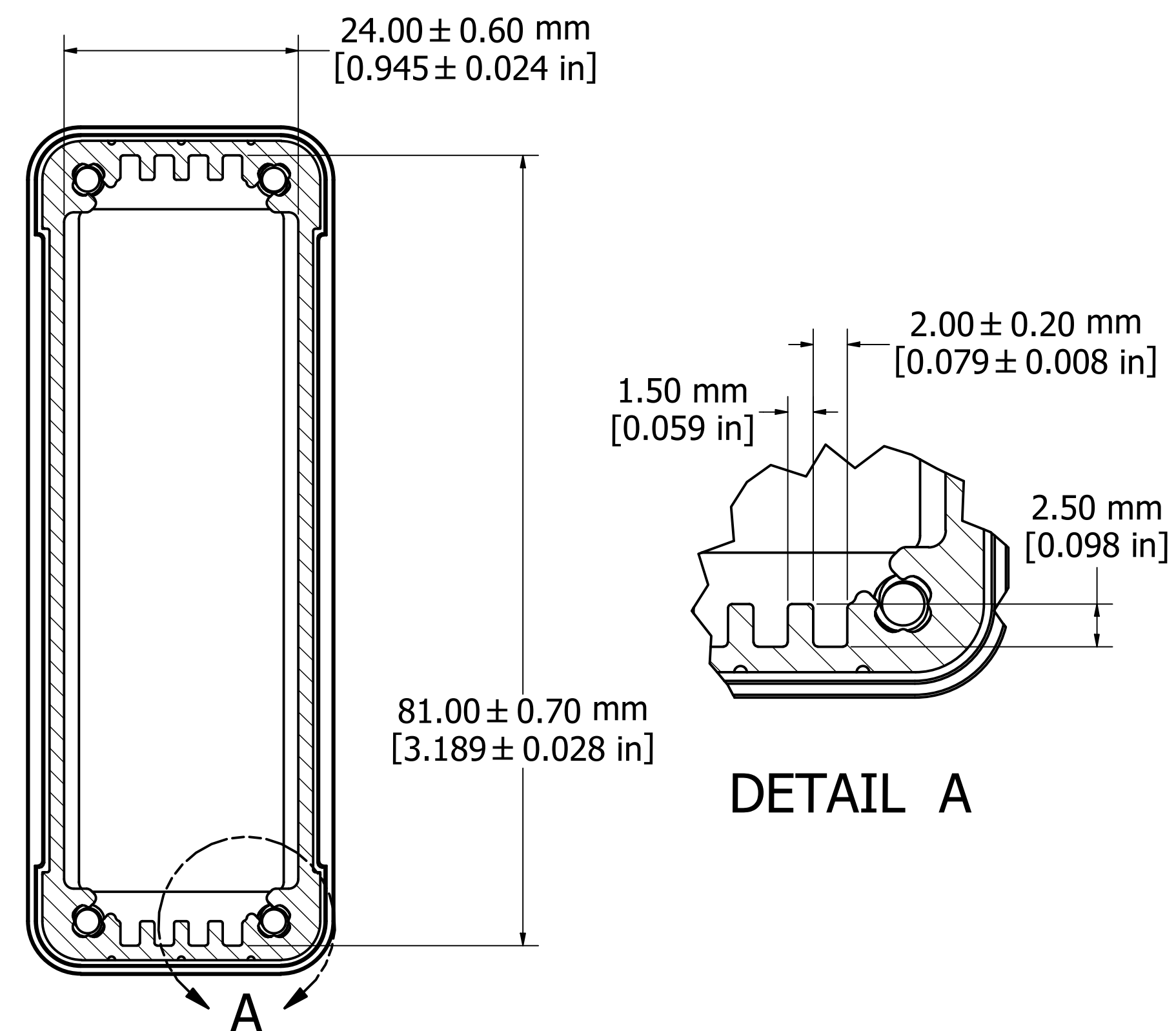


ASSEMBLY - VIEW FROM TOP

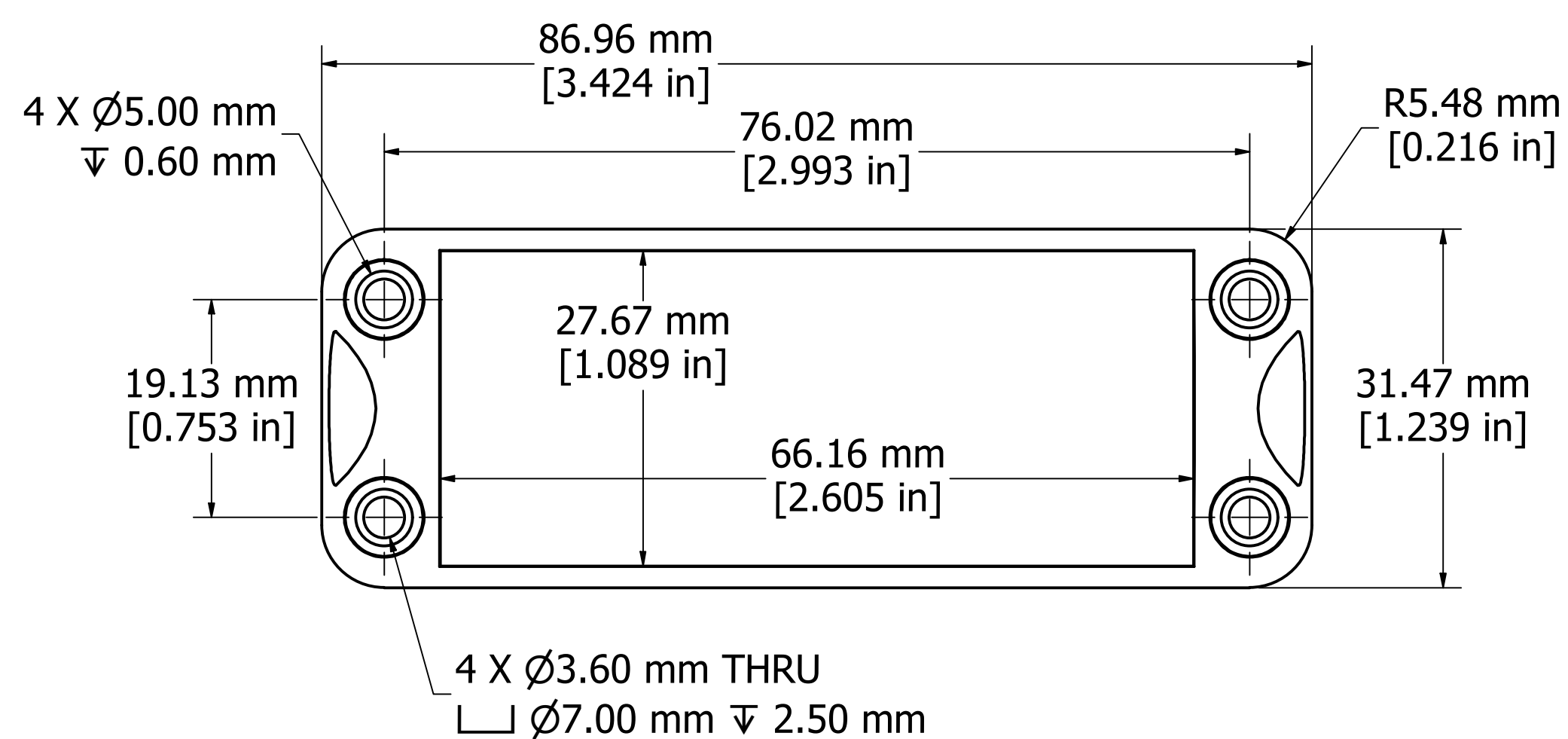


ASSEMBLY - SIDE VIEW

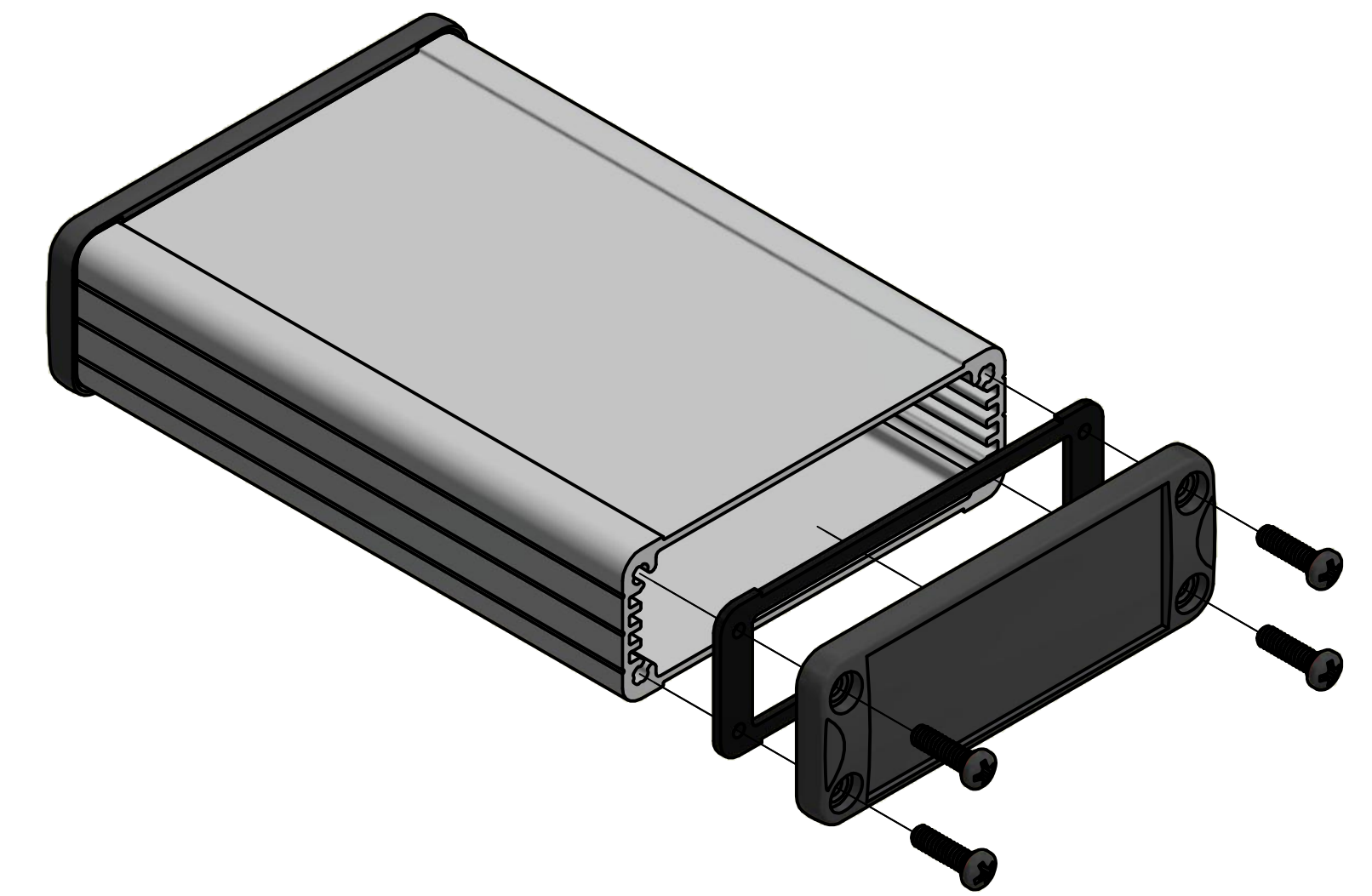
Fits 120mm (4.724") X 80mm (3.149") PCB



SECTION A-A



END PANEL - VIEW FROM OUTSIDE



**PROTECTION TO IP 65**

Enclosures can be Factory Modified ( Milling, Drilling, Printing etc. )  
 Contact Factory [mjm@hammondmfg.com](mailto:mjm@hammondmfg.com) for quotes  
 Solid models of this enclosure available in STEP or IGES.

NOTE	
Purchased assembly includes box, end panels, #6 Taptight screws w/ O-rings, self adhesive rubber feet, and gaskets.	
Box made from Extruded Aluminum 6063.	
End panels made from ADC-12 Diecast Aluminum with a black powder paint finish.	
WATERTIGHT 1457J1201	
PART NUMBERS	
Clear anodized box with black powder painted end panels	1457J1201
Black powder painted box and end panels	1457J1201BK
EMI/RFI SHIELDED (IP 54)	
Clear anodized box with black powder painted end panels	1457J1201E
Black powder painted box and end panels	1457J1201EBK
ACCESSORIES	
See website for accessories.	



**HAMMOND  
MANUFACTURING™**



**1457J1201**  
[www.hammondmfg.com](http://www.hammondmfg.com)