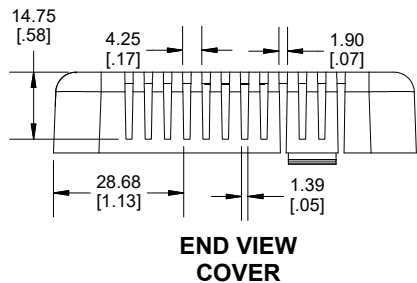
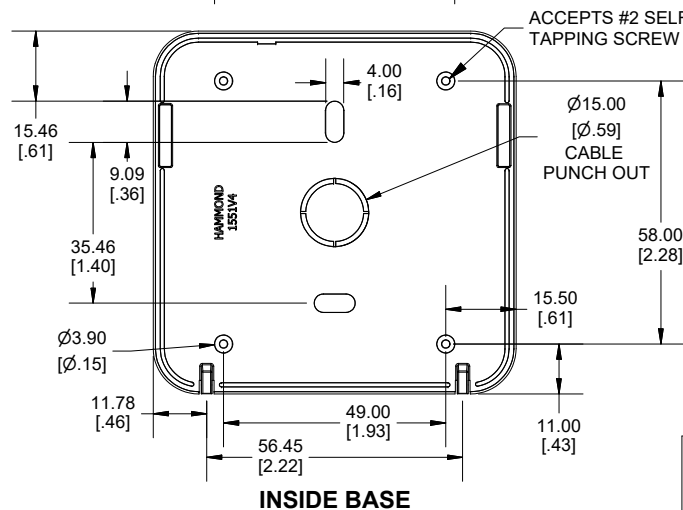


Enclosures can be Factory Modified (Milling, Drilling, Printing etc.)  
 Contact Factory ([modshop@hammfg.com](mailto:modshop@hammfg.com)) for quotes  
 Solid models of this enclosure available in .stp or .x\_t  
 (Part number and text placement/orientation on our products are subject to change,  
 we do not recommend using them as a locating reference for modification purposes)



**NOTE**

Purchased assembly includes snap together base and cover. Enclosure molded from general purpose ABS Plastic. Other materials / colours available consult factory.

**Recommended Torque : (35-43) Ozf.in / (25-30) cN.m**

**PART NUMBERS**

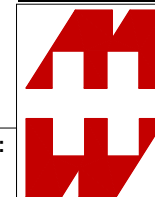
**1551V4 Enclosure**

Black Enclosure - UL94 - HB	1551V4BK
White Enclosure - UL94 - HB	1551V4WH
Translucent Blue - UL94 - HB	1551V4TBU

**ACCESSORIES**

P.C. Board Plastite Self Tapping Screw [#2 x 3/16" self-tapping (4.8mm)]	1553WTS100 (Pkg 100)
---	----------------------

**Dimensions:**  
mm  
[inches]



**HAMMOND  
MANUFACTURING.**

**1551V4**

[www.hammondmfg.com](http://www.hammondmfg.com)