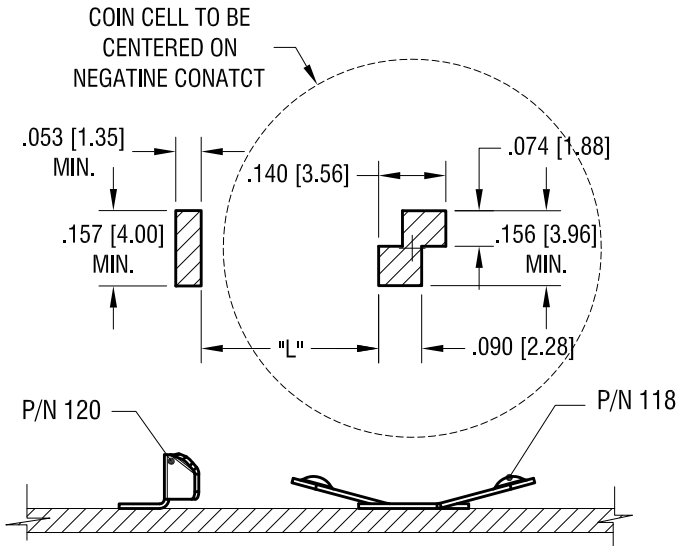
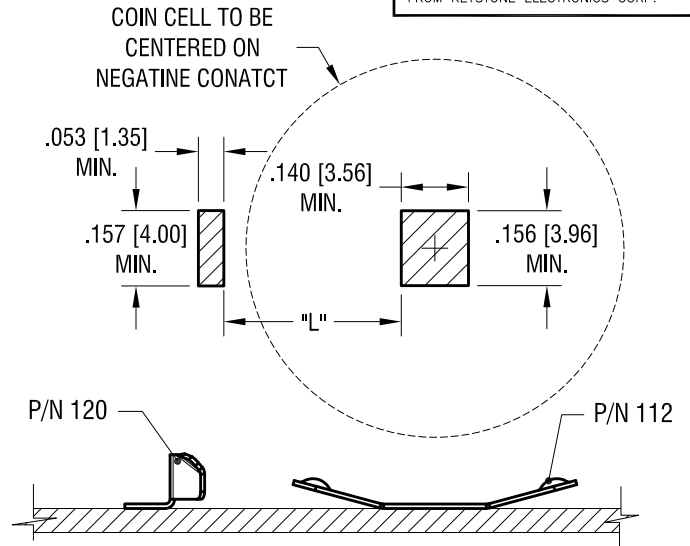


THIS DOCUMENT IS THE PROPERTY OF KEYSTONE ELECTRONICS CORP. AND SHALL NOT BE REPRODUCED, DISTRIBUTED OR USED AS A BASIS FOR MANUFACTURE WITHOUT PRIOR WRITTEN PERMISSION FROM KEYSTONE ELECTRONICS CORP.



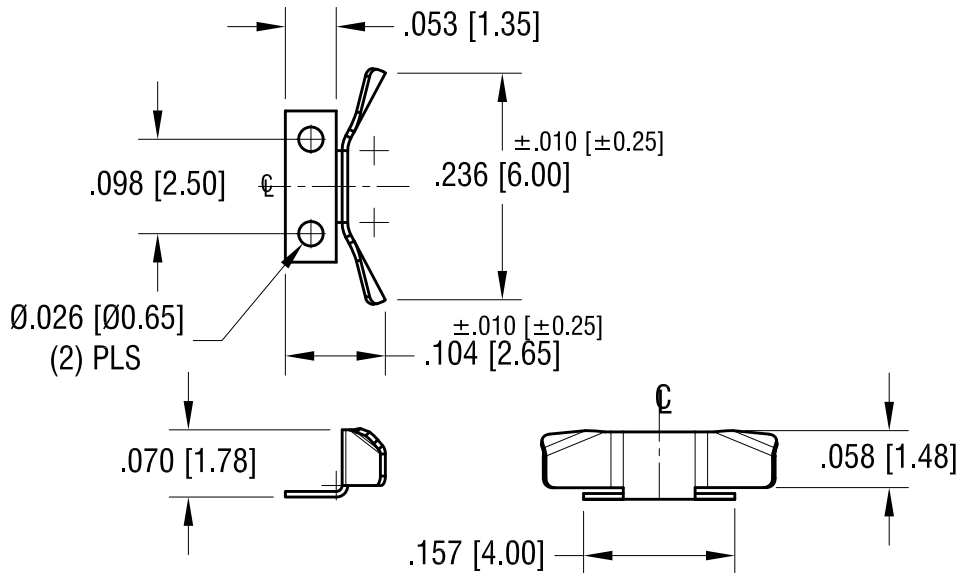
MTG LAY OUT WHEN USE WITH P/N 118

BATTERY DIA.	L
12mm	.178 [4.5]
16mm	.257 [6.5]



MTG LAY OUT WHEN USE WITH P/N 112

BATTERY DIA.	L
20mm	.336 [8.5]
23mm	.395 [10.0]
24mm	.413 [10.5]



DATE	DESCRIPTION	REV.
11.09.15	CHANGE AS PER ECN15-132	C
11.02.15	CHANGE AS PER ECN15-129	B
9.21.15	CHANGE AS PER ECR 15-105	A

KEYSTONE ELECTRONICS CORP.
 www.keyelco.com • NEW HYDE PARK, NY 11040 • Tel (516) 328-7500

PART NAME: POSITIVE BATTERY CONTACT

MATERIAL: .006 [0.15] TH'K STAINLESS STEEL

FINISH: GOLD PLATE

DRN BY: NT DATE: 8.21.15

APP'D: RH SCALE: 5X

TOLERANCES INCH [MM]
 DECIMAL: ±.005 [±0.13]
 ANGULAR: ± 1°
 UNLESS OTHERWISE SPECIFIED

CODE: C DWG NO. 120